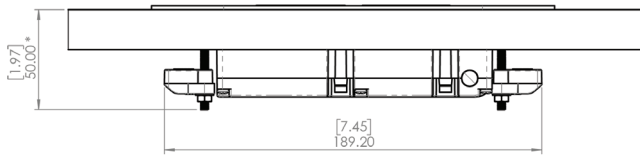
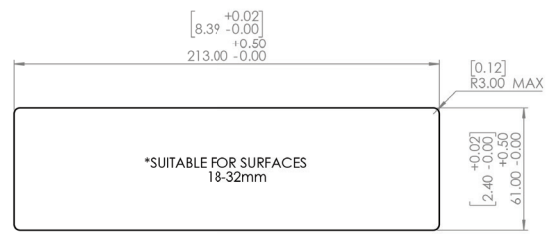
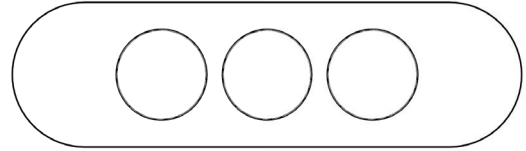
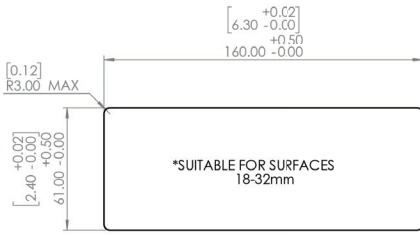
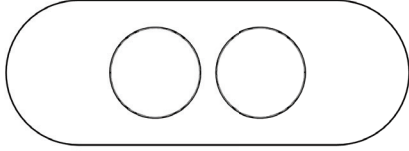
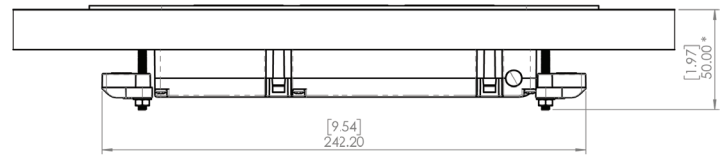


1 Cutouts for 2 gang & 3 gang versions



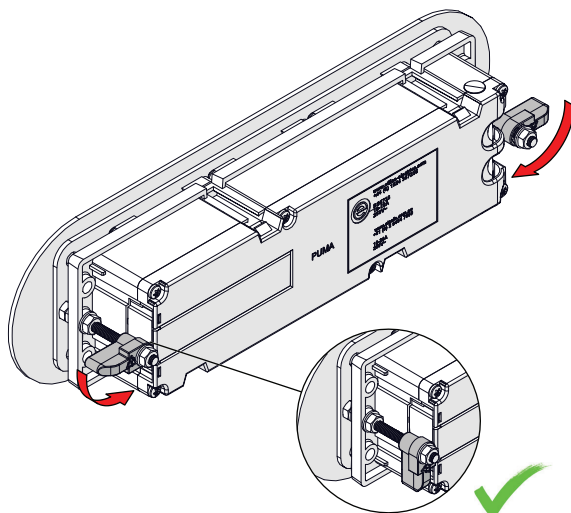
* FITTING DEPTH MAY VARY
DEPENDING ON STUD LENGTH



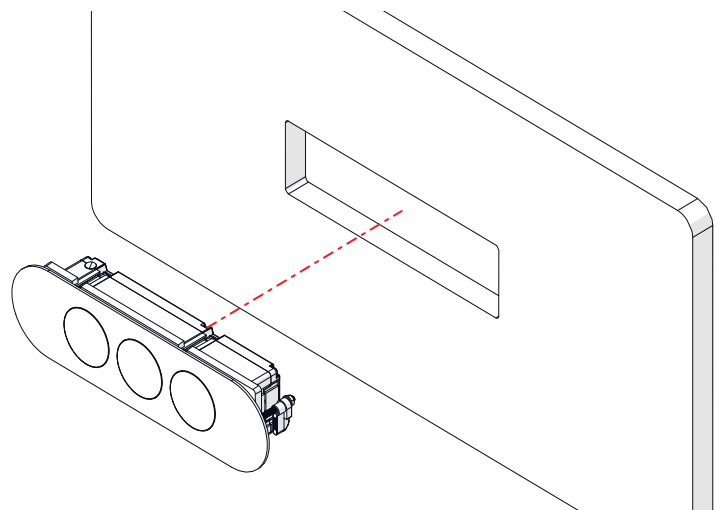
* FITTING DEPTH MAY VARY
DEPENDING ON STUD LENGTH

The below instructions can be followed for 2 and 3 gang options.

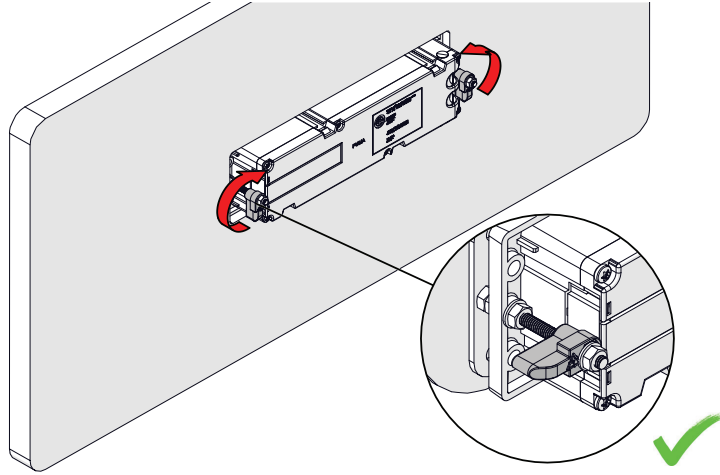
2 Turn tabs down until flush with unit



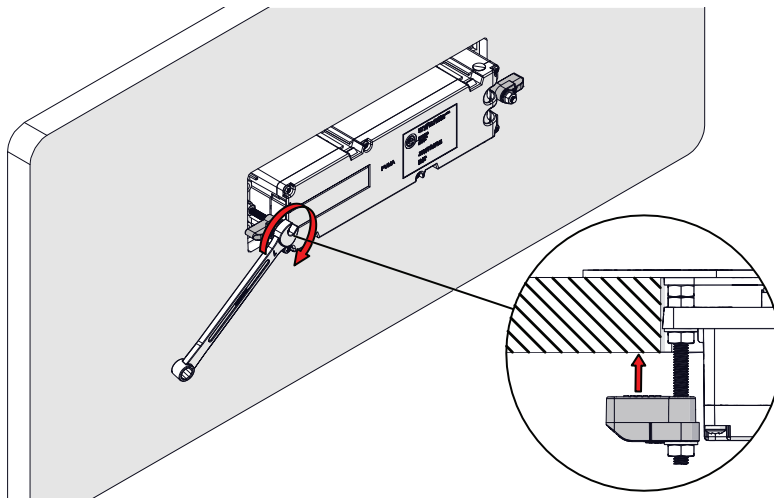
3 Insert PLATEAU into cutout



- 4 Return tabs to face outwards in locking position



- 5 Tighten nut with 7mm spanner until unit is secured



- 6 Install Complete

