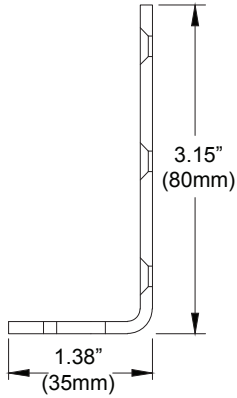
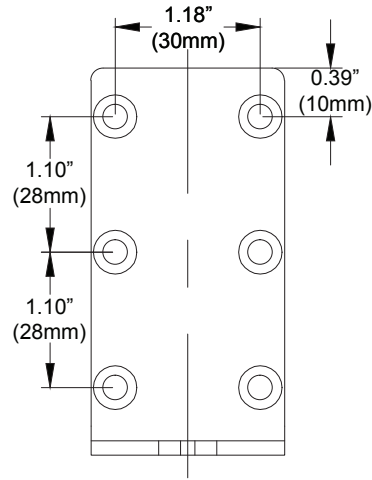


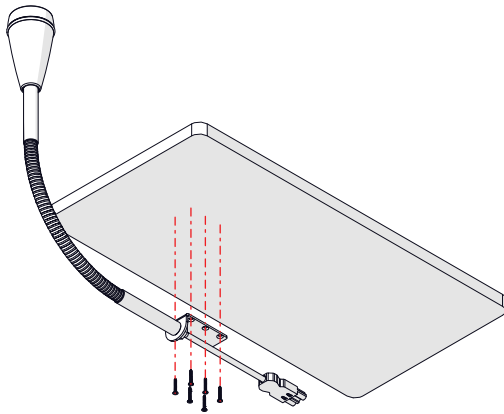
Bracket dimensions



Screw locations



- 1 Align POSE with surface



- 2 Using suitable No.10 screws, screw into place (screws not supplied).

