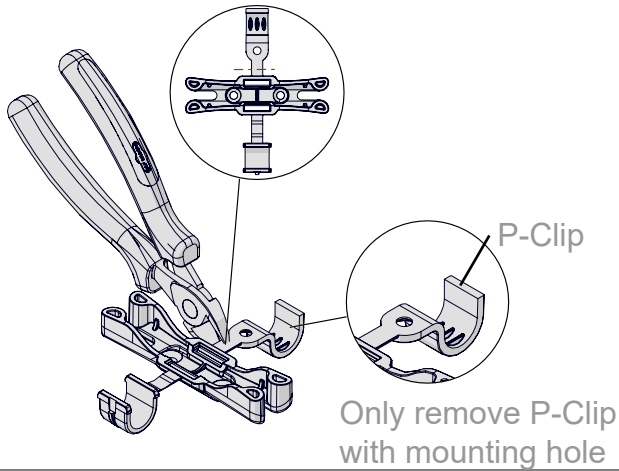
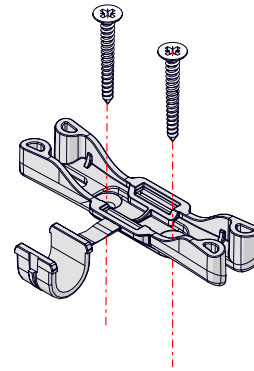


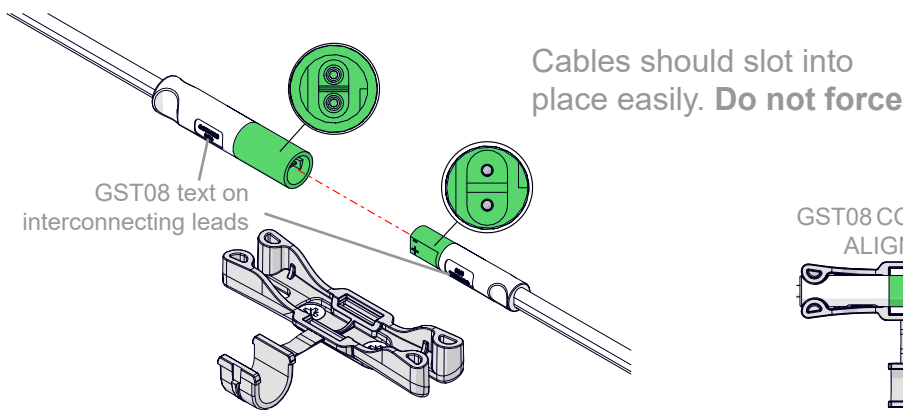
1 Remove P-Clip if required



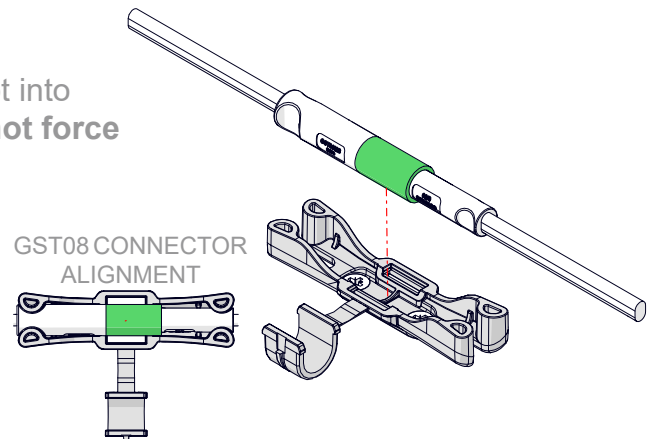
2 Align GST08 locking clip with surface and screw into place using No.6 countersunk screw. Length dependent on surface mounted to



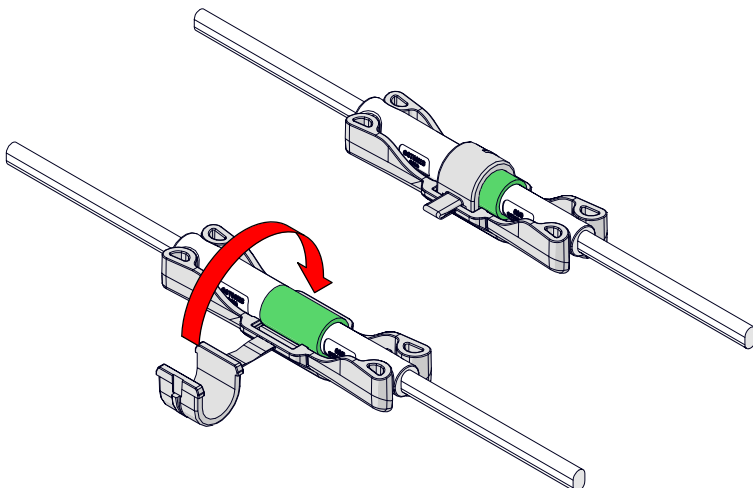
3 Connect GST08 cables together



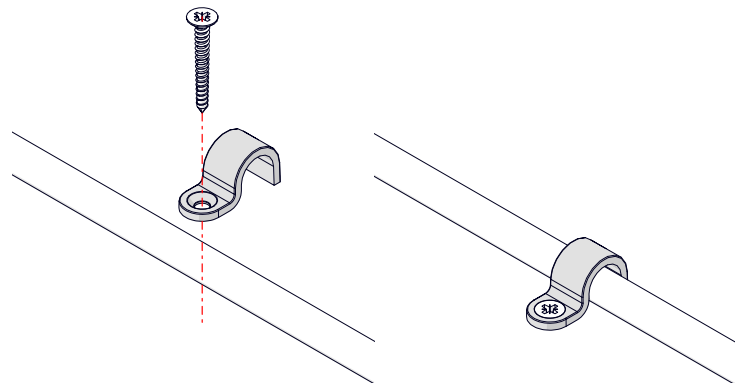
4 Fit GST08 cables into locking clip, take note of alignment



5 Fold over clip to secure into place

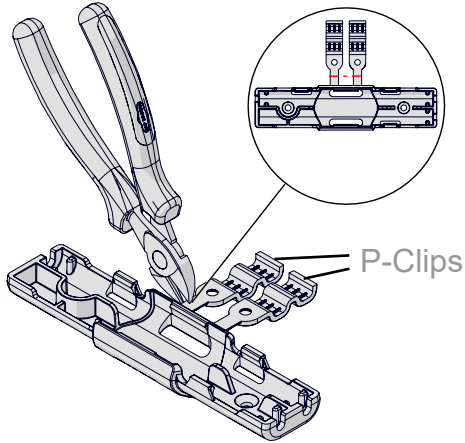


6 Align P-Clip with surface and screw into place, half way along cable, using No.6 countersunk screw. Length dependent on surface mounted to



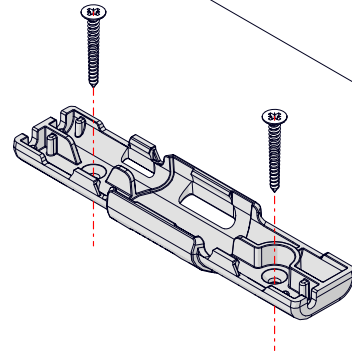
Clamp cable using P-Clip

7 Remove P-Clip(s) if required

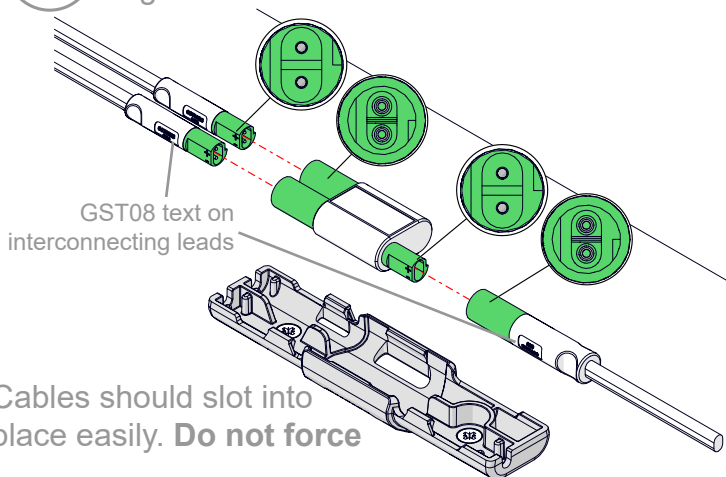


8

Align GST08 Splitter locking clip with surface and screw into place using No.6 countersunk screw. Length dependent on surface mounted to

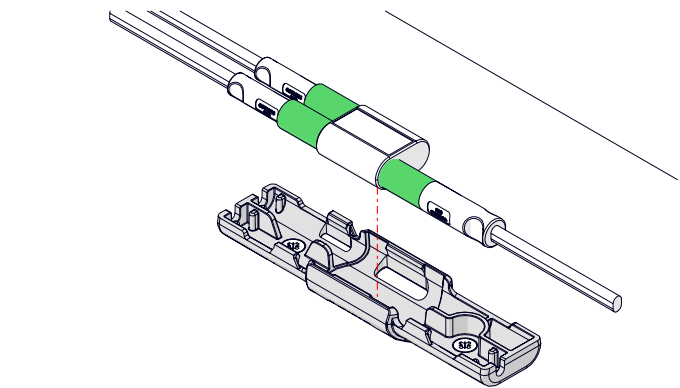


9 Connect GST08 cables together

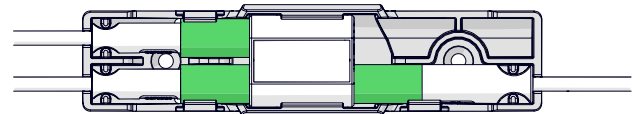


10

Align connected cables and splitter with locking clip and clip into place taking note of the connector alignment

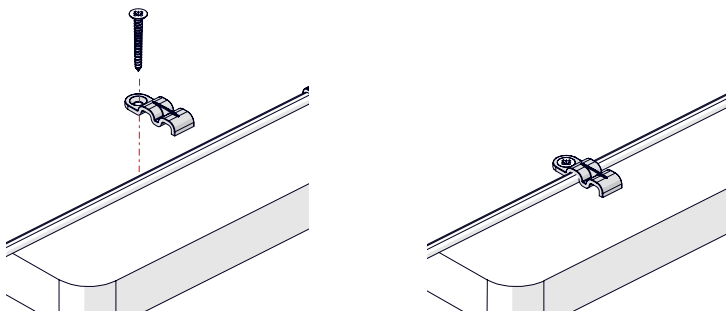


GST08 CONNECTOR ALIGNMENT

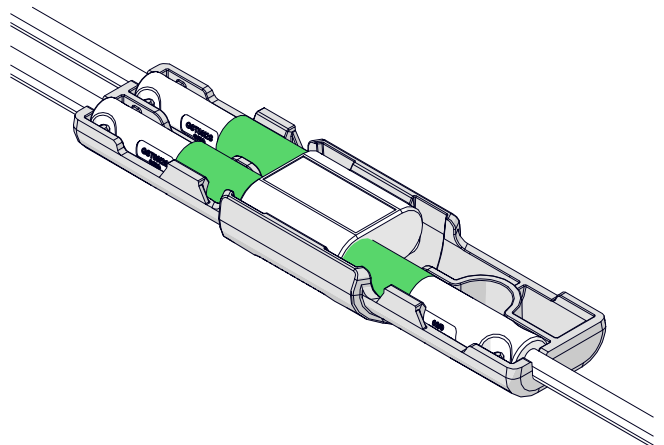


11

Align P-Clip with surface and screw into place, half way along cable, using No.6 countersunk screw. Length dependent on surface mounted to



Clamp cable using P-Clip



### Typical Scenario

