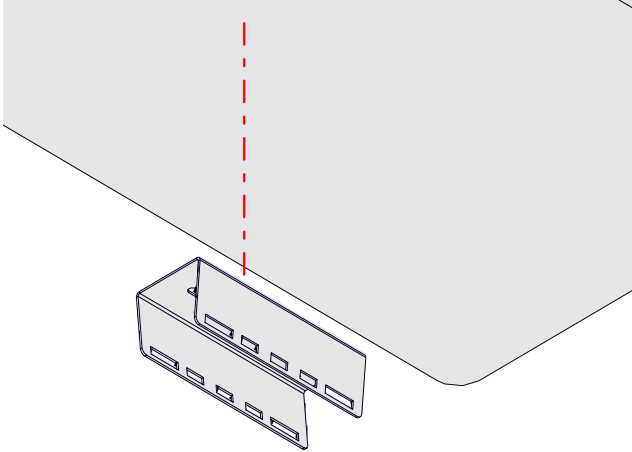
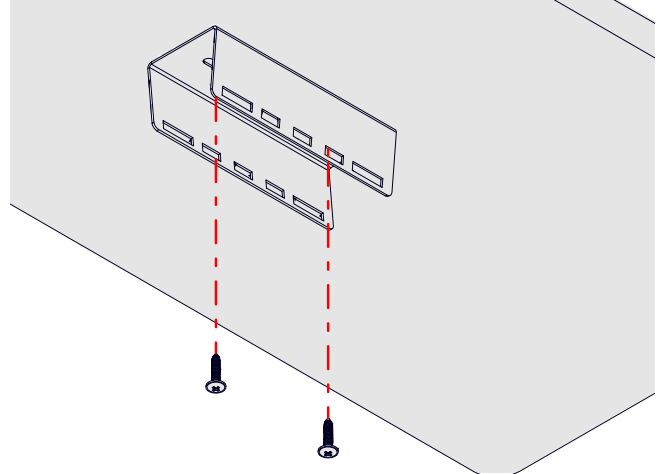


Single QF PSU

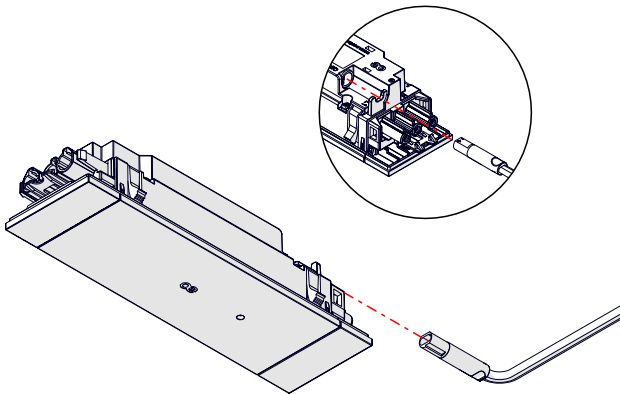
1 Align bracket with the surface



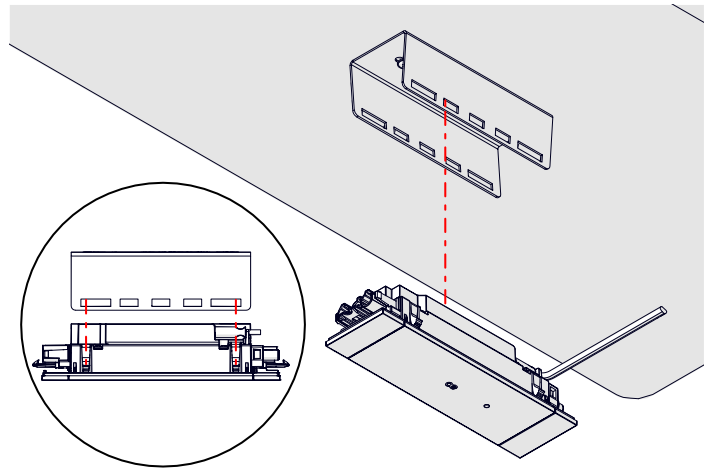
2 Screw bracket to surface using 2 x No.10 screw – suitable length / type for surface



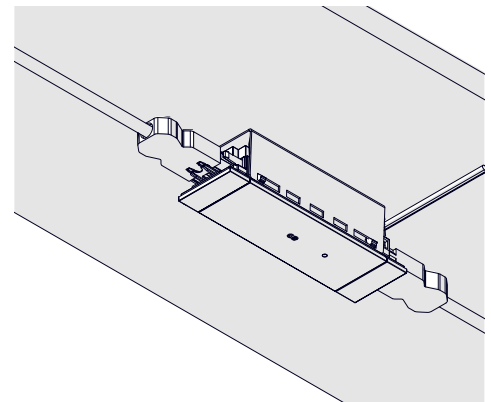
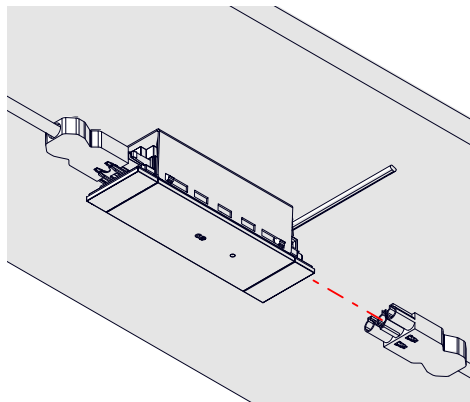
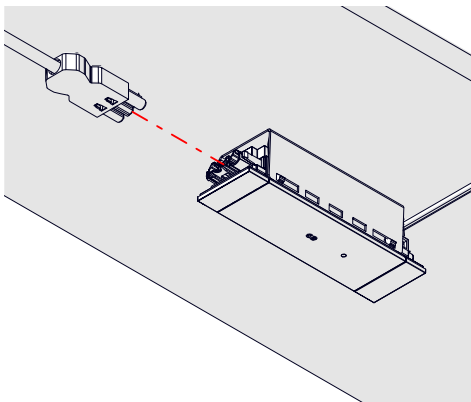
3 Connect GST08 cable to QF PSU



4 Align QF PSU with bracket and clip into place

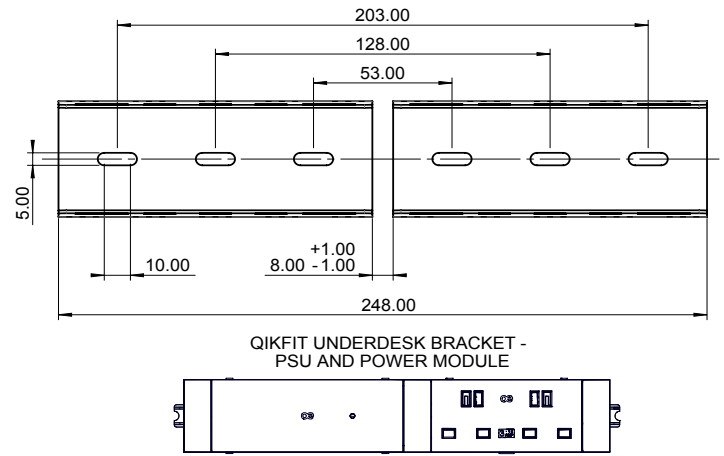
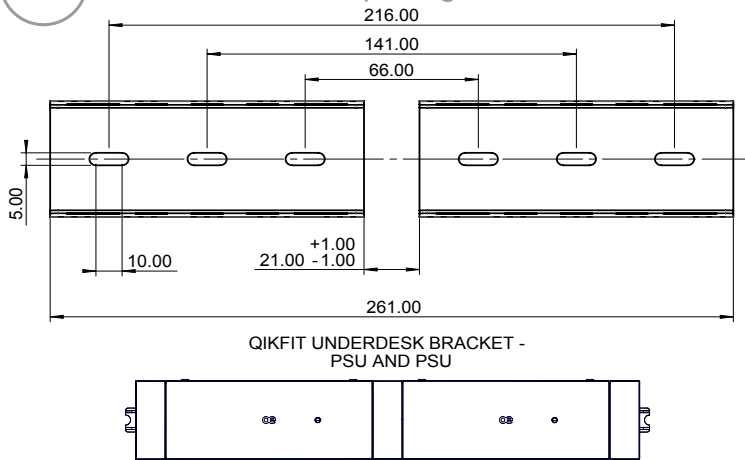


5 Connect power entry to left hand side of QF PSU and power exit to right hand side of QF PSU



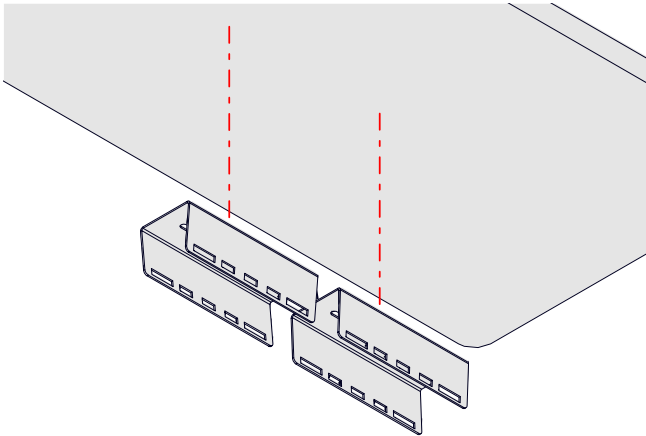
Multiple Modules

1 Dimensions and spacing

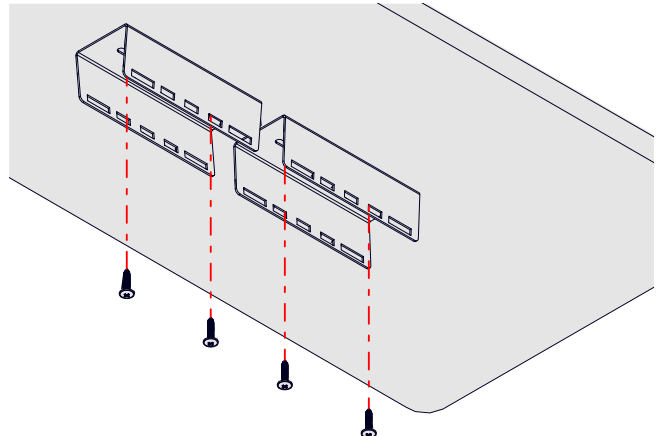


NOTE: Where 2 x QF 2gang modules please use QikBox INSTR 1209

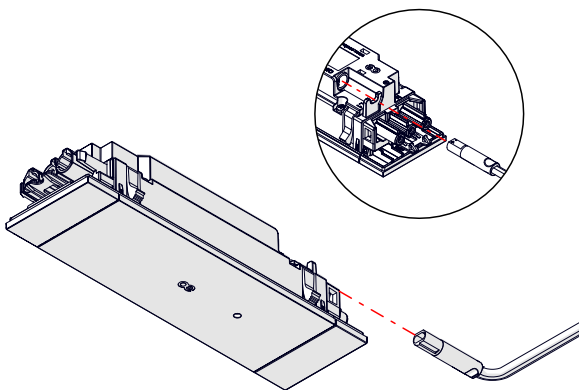
2 Align brackets with the surface



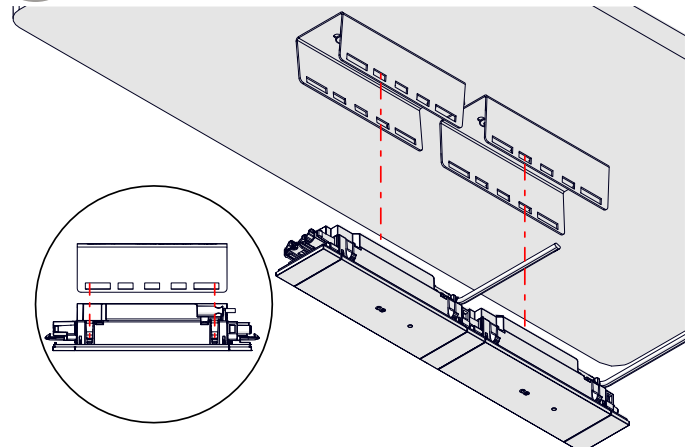
3 Screw brackets to surface using 2 x No.10 screw – suitable length / type for surface



4 Connect GST08 cables to 2 x QF PSU



5 Clip together 2 x QF PSU*, align with brackets and clip into place



*NOTE: If using QF Power Modules please see INSTR1213 - Fitting 2 x QikFit Modules Together.pdf or view the video here: [QikFit Power Modules](#)

- 6 Connect power entry to left QF PSU and power exit to right QF PSU

