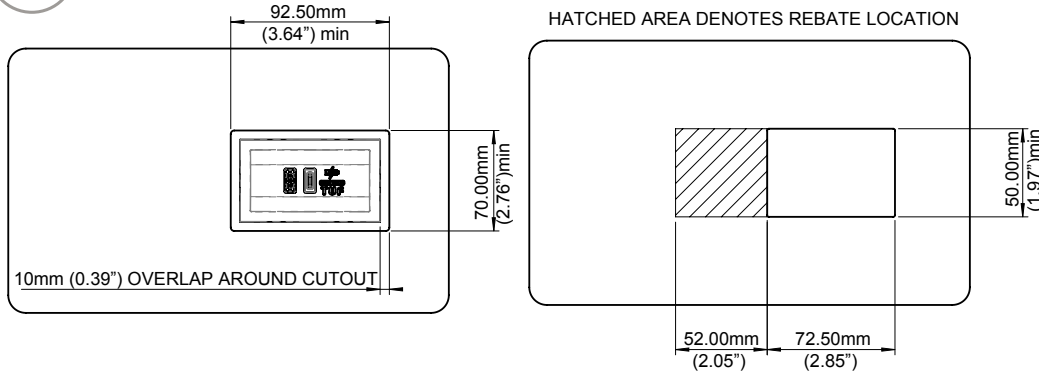


Right angled GST connector - rebate required

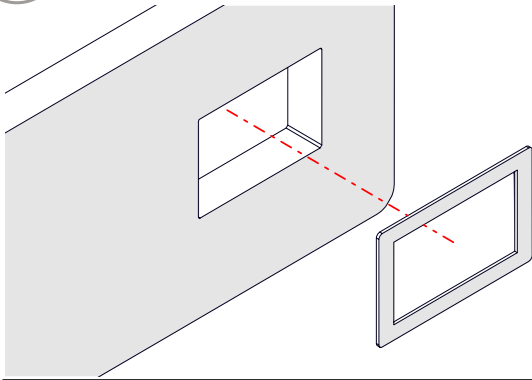
- 1 **NOTE:** Panel requires a rebate cut on left hand side



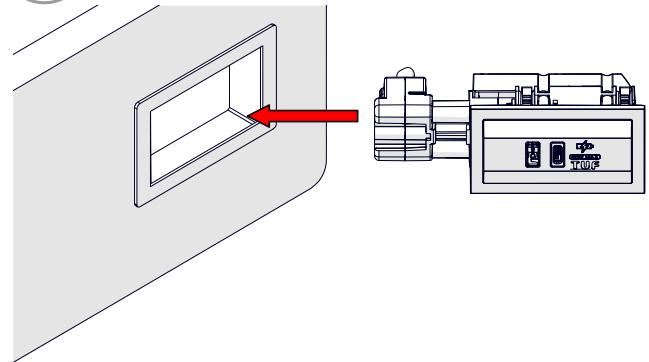
Example is representative of a 1.5mm (.06") thick mounting plate. Adjust rebate as needed to maintain 4mm (.16") rebate surface thickness if plate thickness varies.

*OE ELECTRICS ARE NOT RESPONSIBLE FOR ENSURING THE SUBSTRATE IS SUITABLE TO ACCOMMODATE A REBATE CUT WITHOUT ANY STRUCTURAL IMPACT

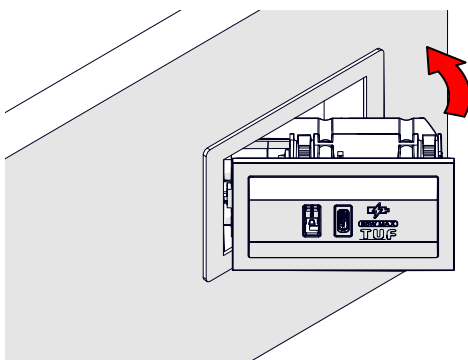
- 2 Fix plate to surface using adhesive



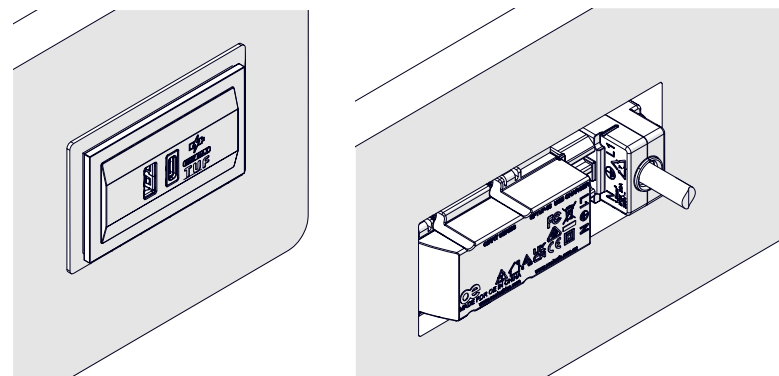
- 3 Connect right angled GST to QF15 TUF HP module and place into cutout



- 4 Clip right hand side of QF15 TUF HP module into cutout

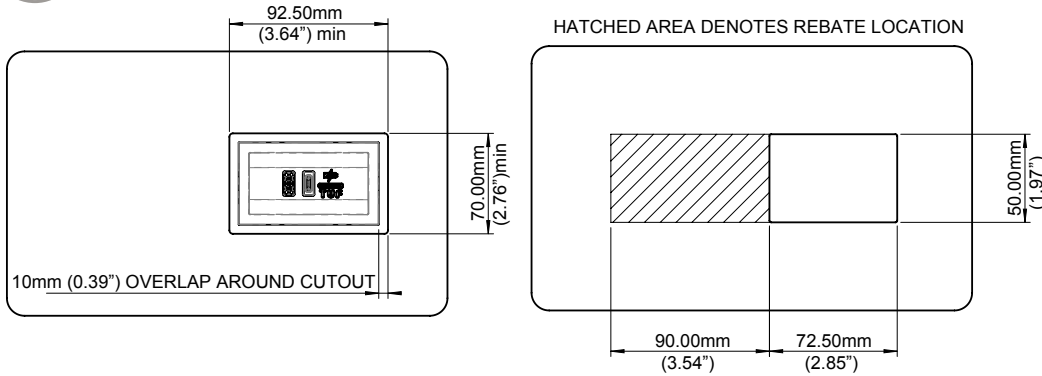


- 5



Standard GST connector - rebate required

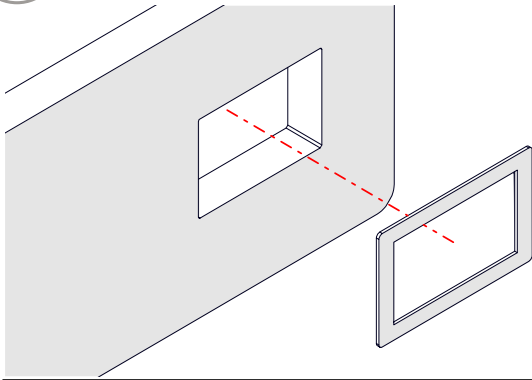
1 **NOTE:** Panel requires a rebate cut on left hand side



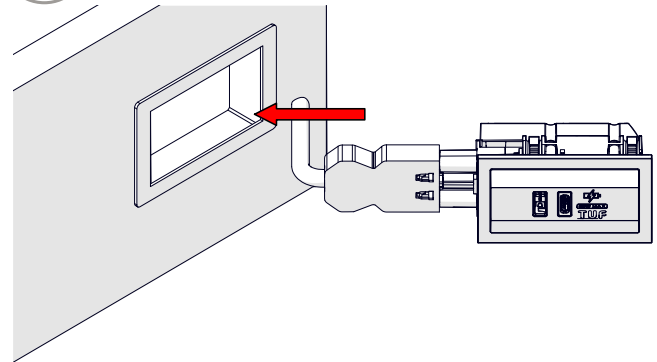
Example is representative of a 1.5mm (.06") thick mounting plate. Adjust rebate as needed to maintain 4mm (.16") rebate surface thickness if plate thickness varies.

*OE ELECTRICS ARE NOT RESPONSIBLE FOR ENSURING THE SUBSTRATE IS SUITABLE TO ACCOMODATE A REBATE CUT WITHOUT ANY STRUCTURAL IMPACT

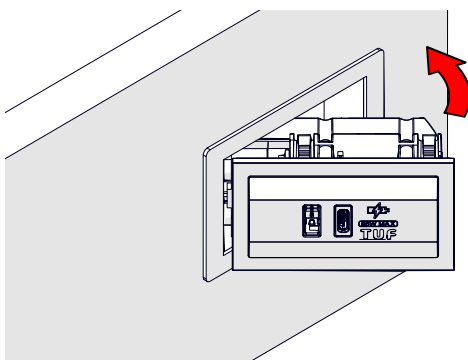
2 Fix plate to surface using adhesive



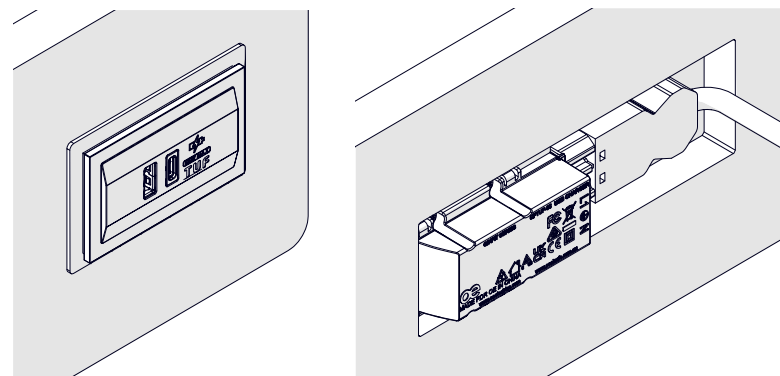
3 Connect GST cable to QF15 TUF HP module and place into cutout



4 Clip right hand side of QF15 TUF HP module into cutout



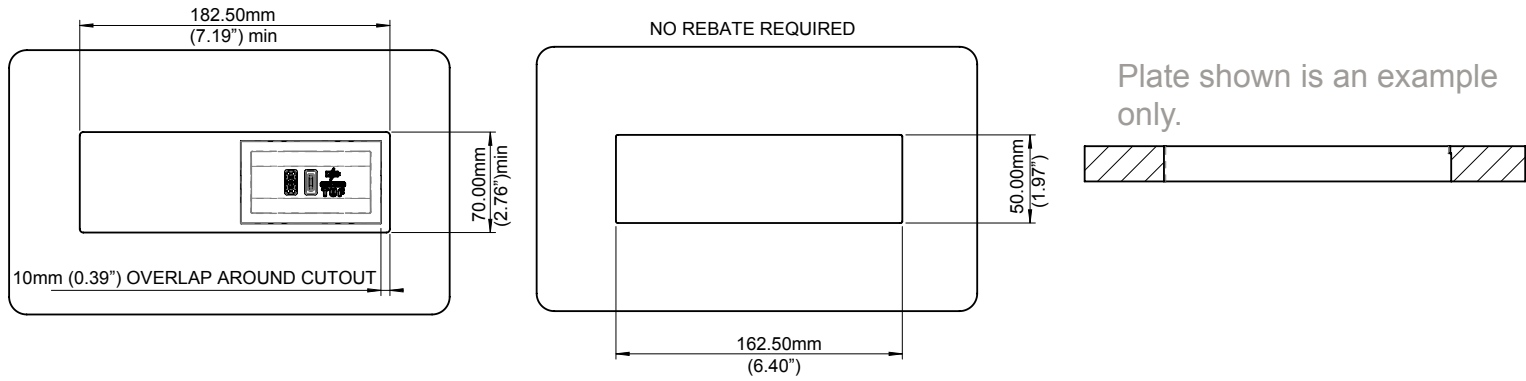
5



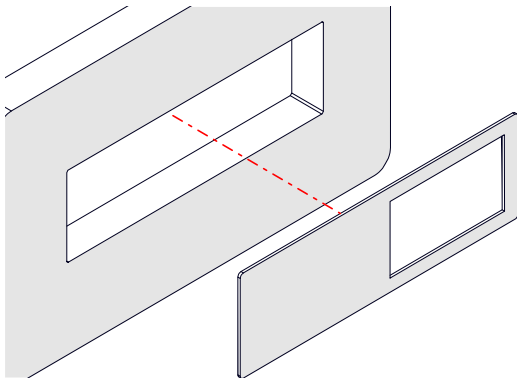
QF15 TUF HP Thick Panel installation instructions

Standard GST connector - no rebate cut required

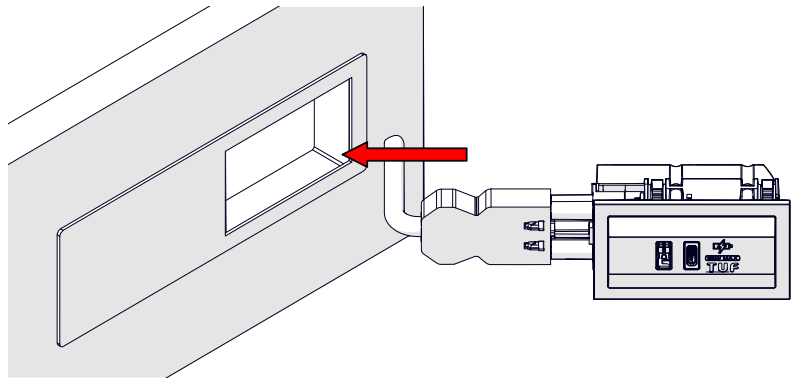
1 Cutout Dimensions



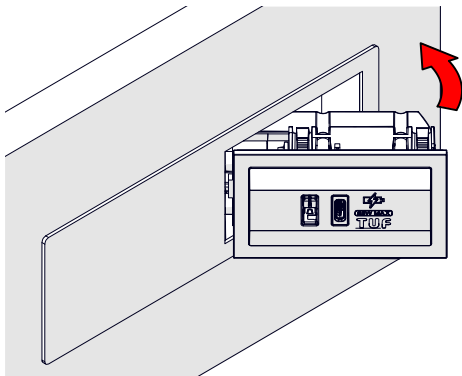
2 Fix plate to surface using adhesive



3 Connect GST cable to QF15 TUF HP module and place into cutout



4 Clip right hand side of QF15 TUF HP module into cutout



5

