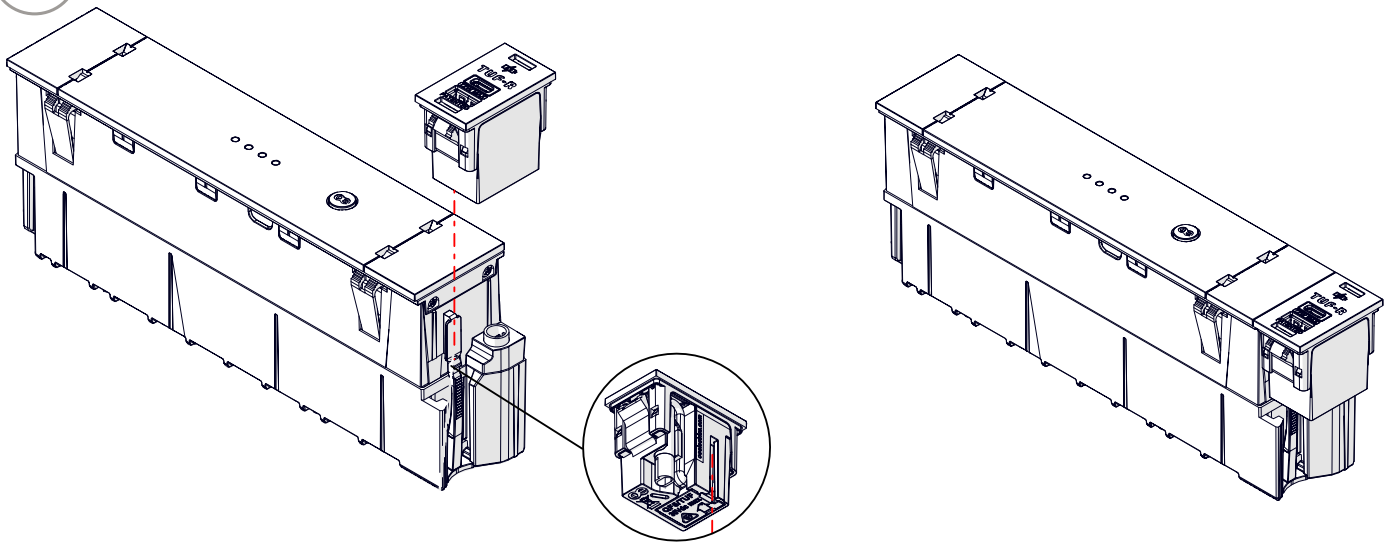
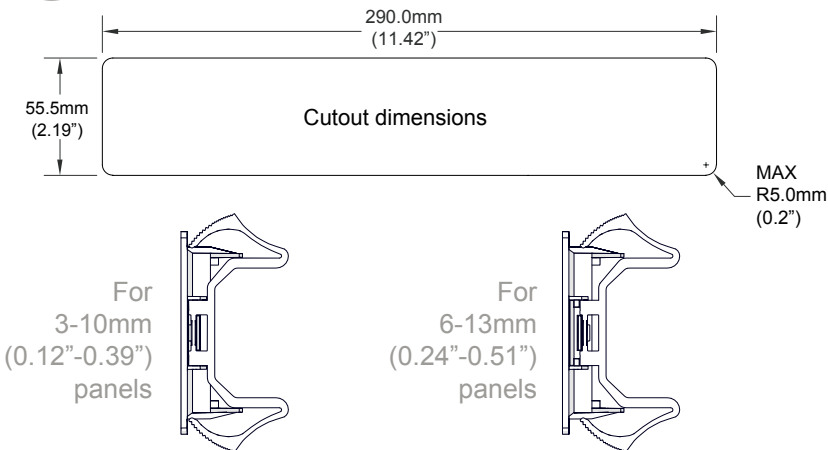


Mounting QIKPAC & QF5 TUF-R HP into QikFrame

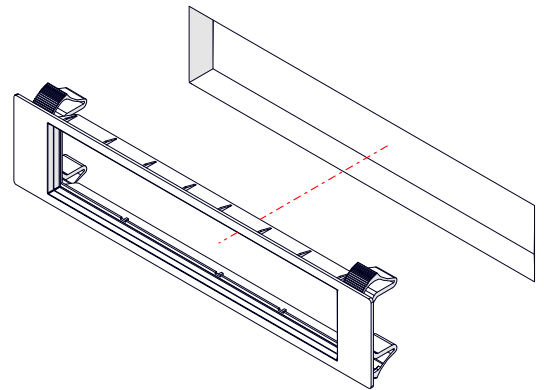
1 Align QF5 TUF-R HP with QikPAC and clip in to place



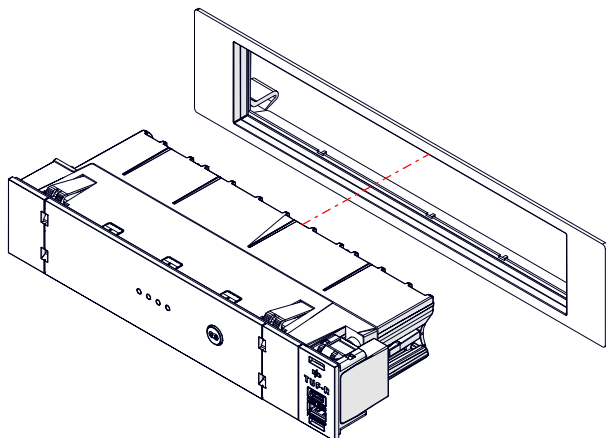
2 QikFrame Cutout Dimensions



3 Place QikFrame into cutout



4 Place assembled modules into QikFrame



5

