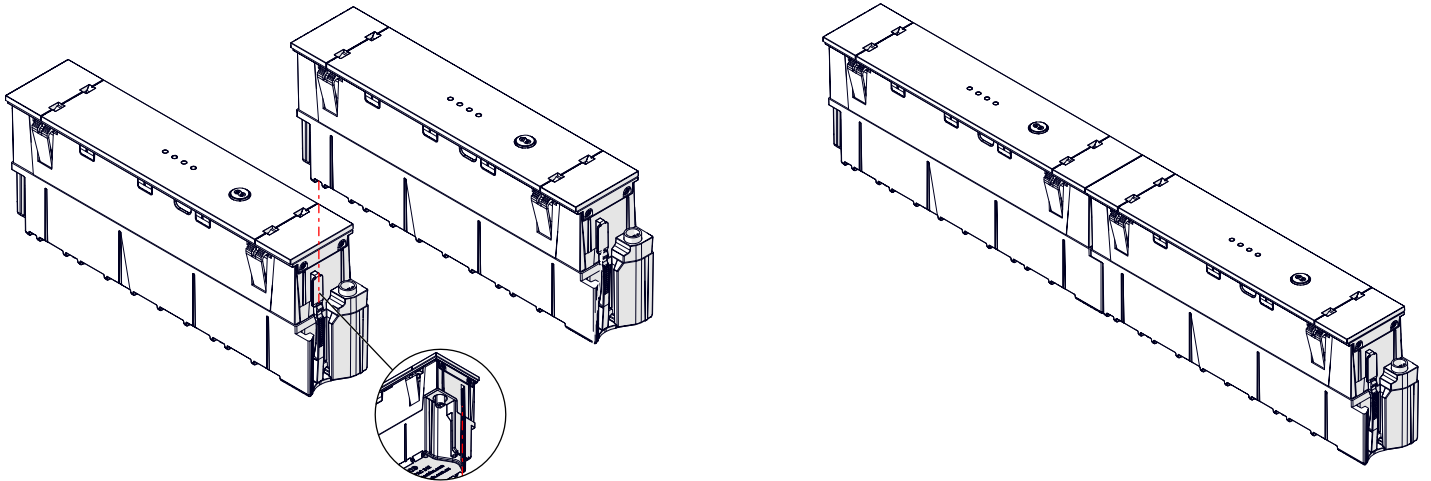


QIKPAC installation instructions

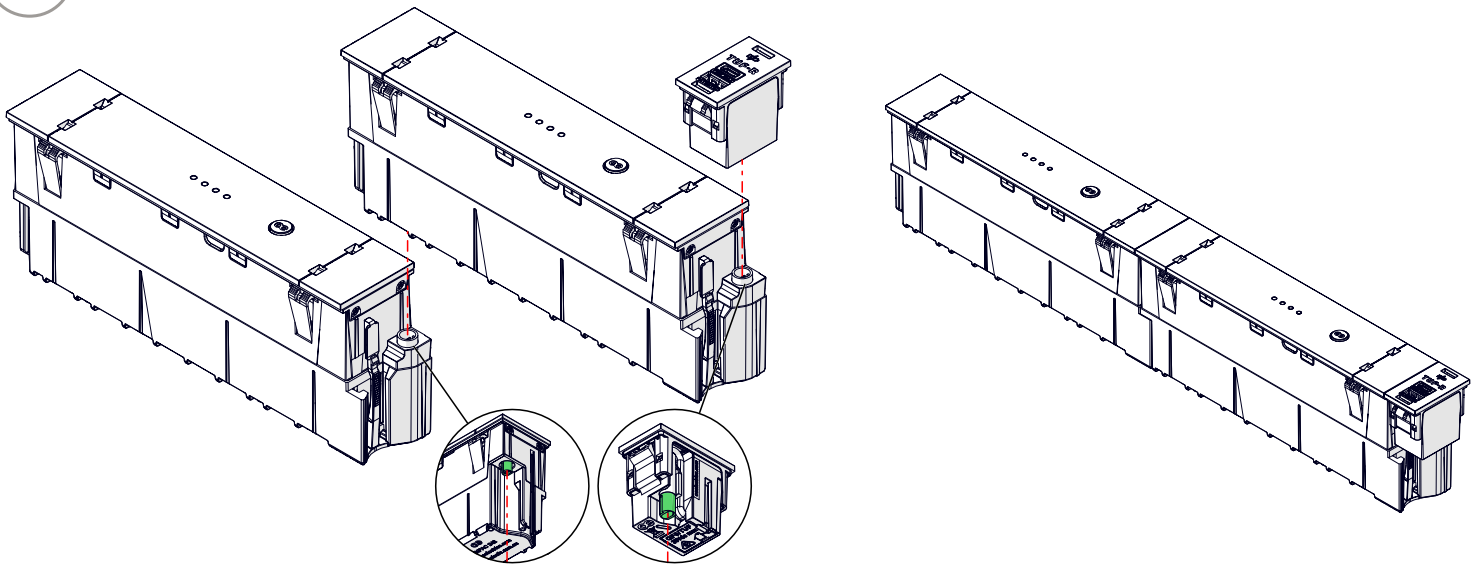
Clipping multiple QikPAC modules together

1 Align modules and clip together



Clipping multiple QikPAC & TUF HP modules together

1 Align modules and clip together



Release QF5 TUF HP from QikPac

1 Press spring lock on right hand side of QikPac and slide QF5 TUF-R HP up

