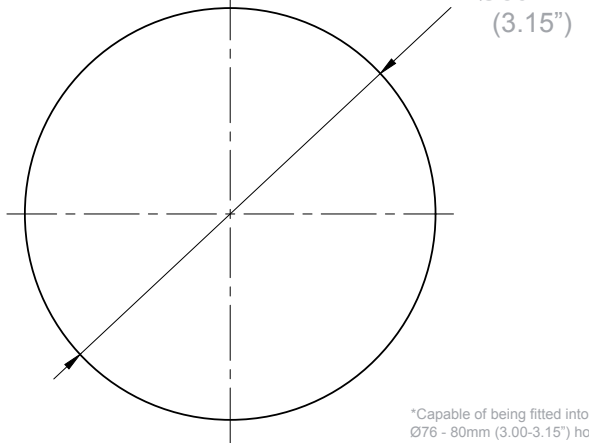
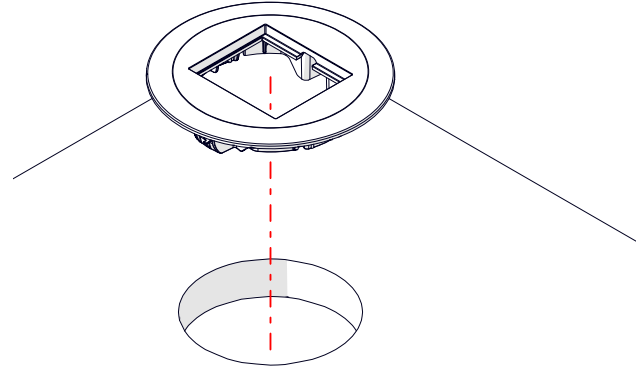


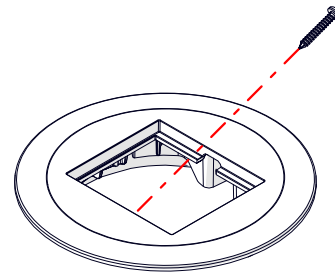
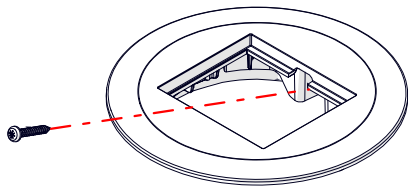
Cutout Dimensions



1 Place QF PORT into 80mm* (3.15") grommet hole

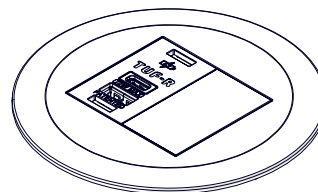
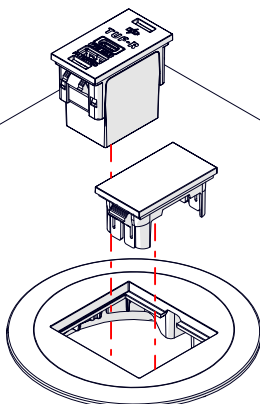


2 Secure in place using screws supplied*



*Ensure screws are suitable for the surface being mounted to, OE accept no responsibility for damaged surfaces if the provided screws are not suitable

3 Clip chosen QF5 fascias* into place



*Compatible QF5 fascias can be viewed on the PORT [webpage here](#)