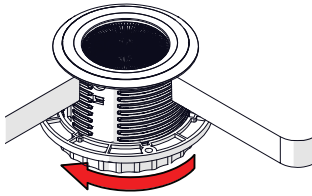
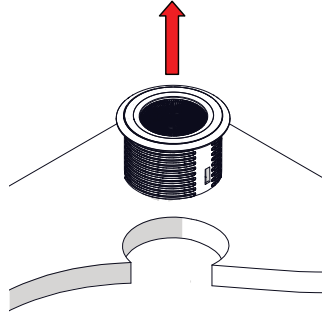


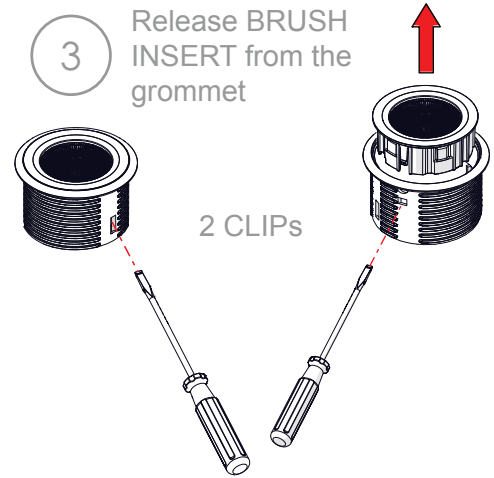
1 Remove the locking nut from BRUSH GROMMET



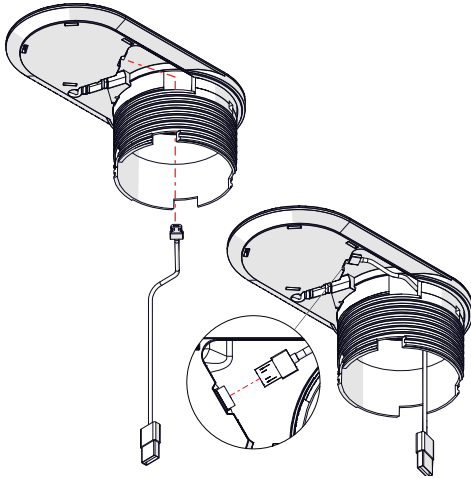
2 Remove BRUSH GROMMET from cutout



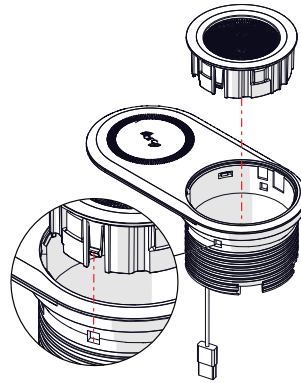
3 Release BRUSH INSERT from the grommet



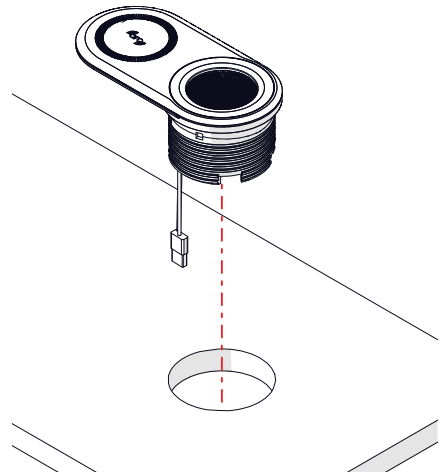
4 Feed micro USB through ARC-G grommet and connect to charging coil



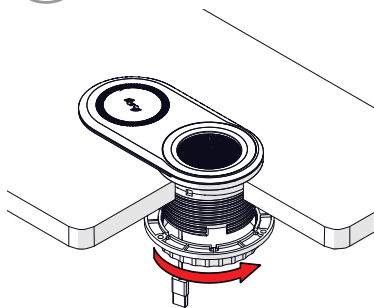
5 Fit BRUSH INSERT into the ARC-G grommet



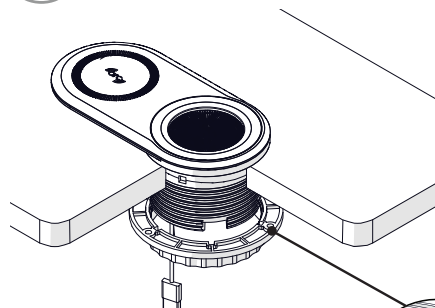
6 Fit GROMMET-ARC into the cutout



7 Secure GROMMET-ARC in place



8



Screwing in the nut is optional.

