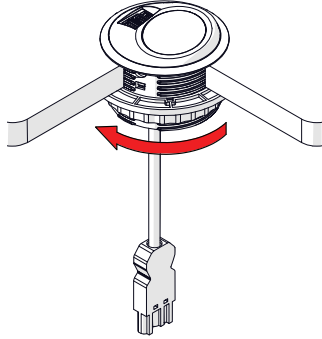
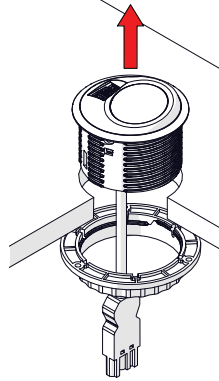


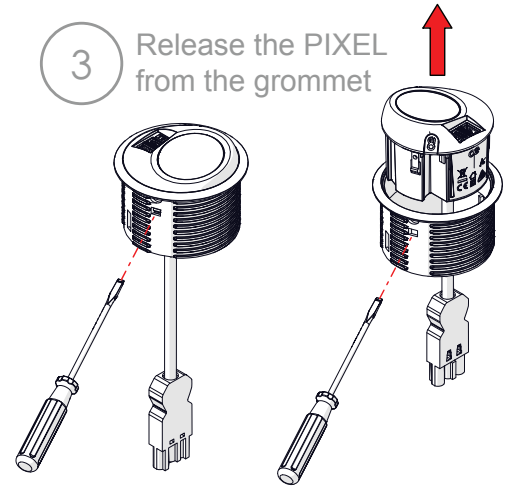
1 Remove the locking nut from the PIXEL unit



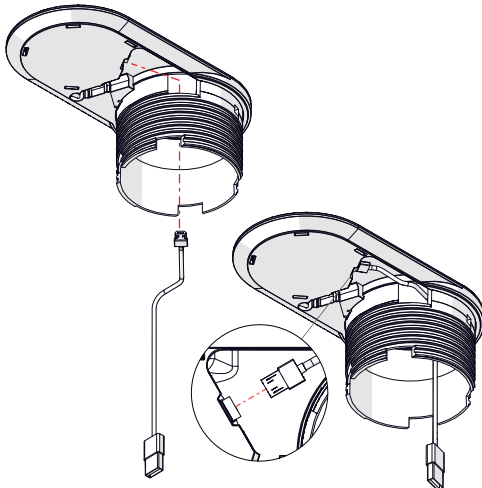
2 Remove the PIXEL from the cutout



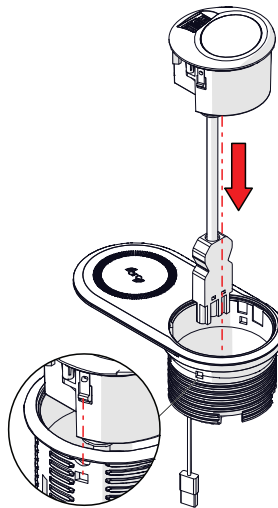
3 Release the PIXEL from the grommet



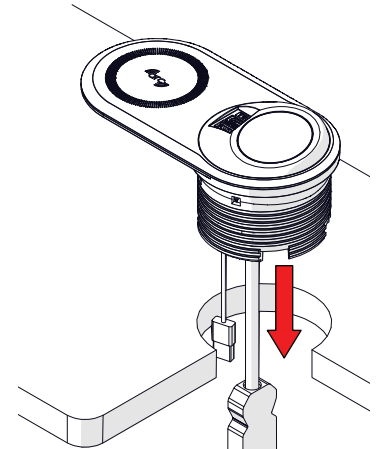
4 Feed cable through the grommet and connect to charging coil



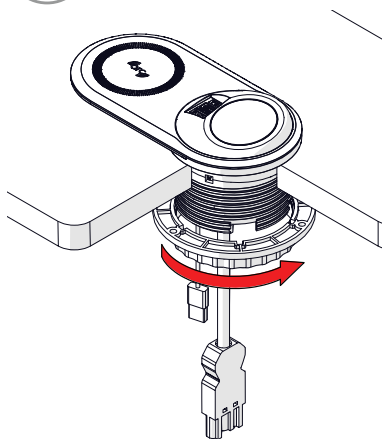
5 Fit PIXEL into the ARC-G grommet



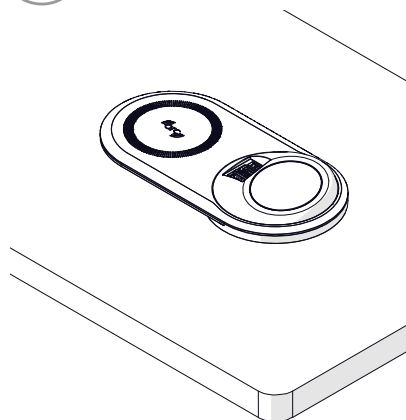
6 Fit the pixelARC grommet into the cutout



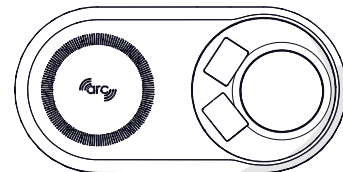
7 Secure pixelARC in place



8



pixelARC orientation



pixeltufARC orientation

