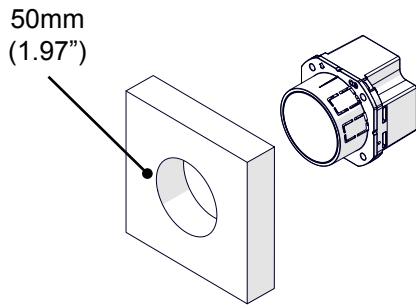
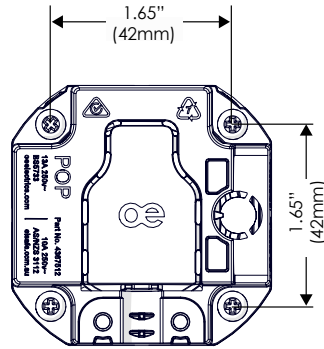


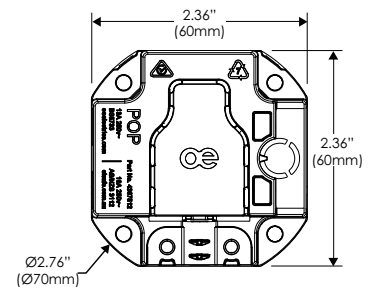
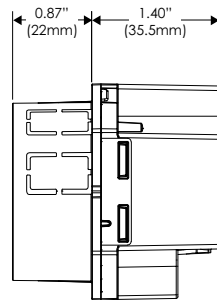
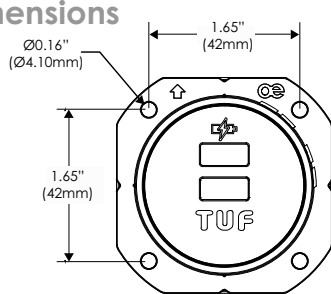
Cutout Dimension



Screw location



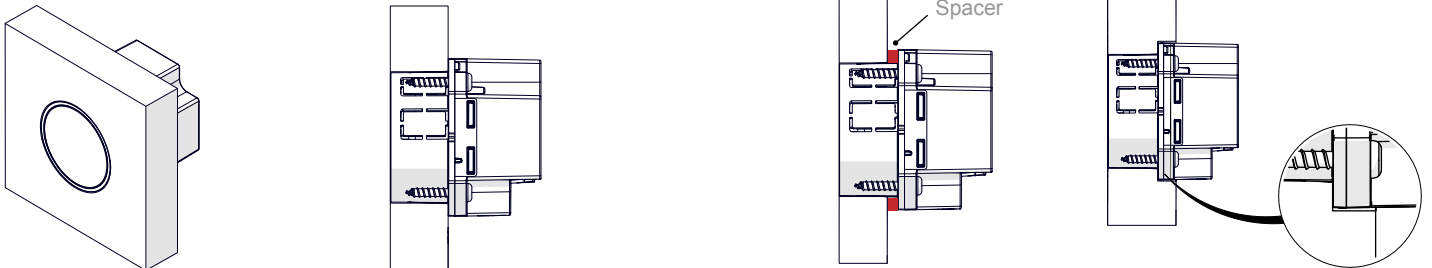
POP Dimensions



Flush Fit - This is a regulatory requirement for UK sockets but can be used for all other nationalities.

1 Fit POP into cutout. Screw into place.

See cutout and screw locations above.



Spacers / rebate may be required to ensure a flush fit.
(See dimensions above)

Protruding fit - surfaces <22mm.

1 Standard Panel

2 Metal Panel

