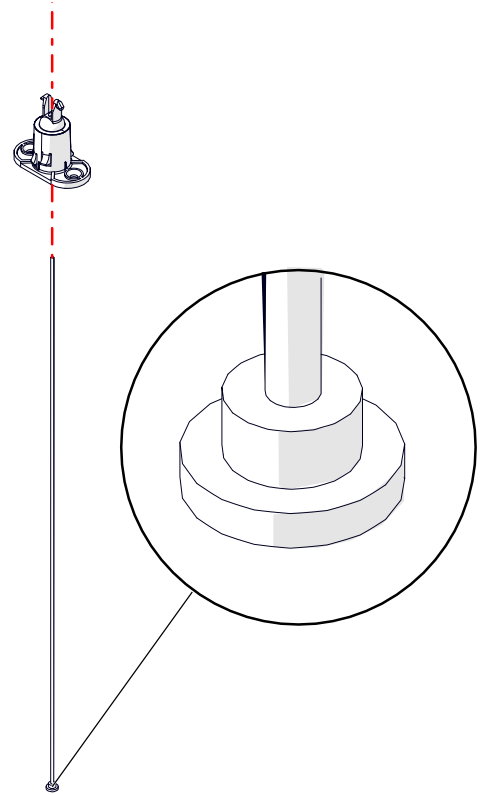


PATHFINDER (floor to ceiling) installation instructions

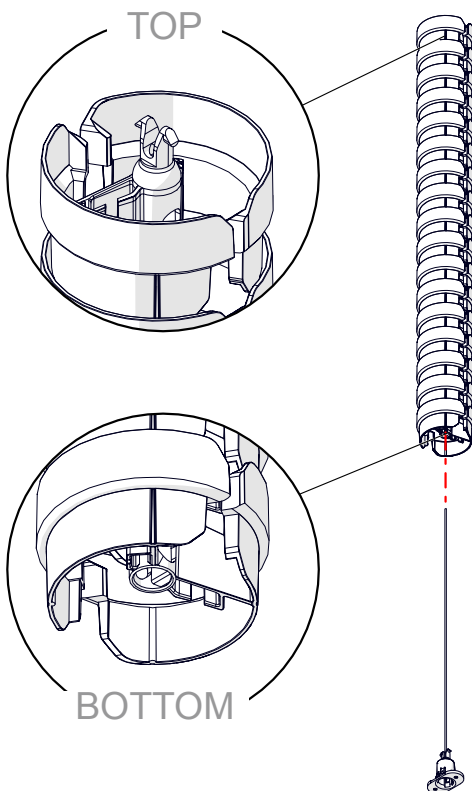
1 Remove wire clamp from wire.



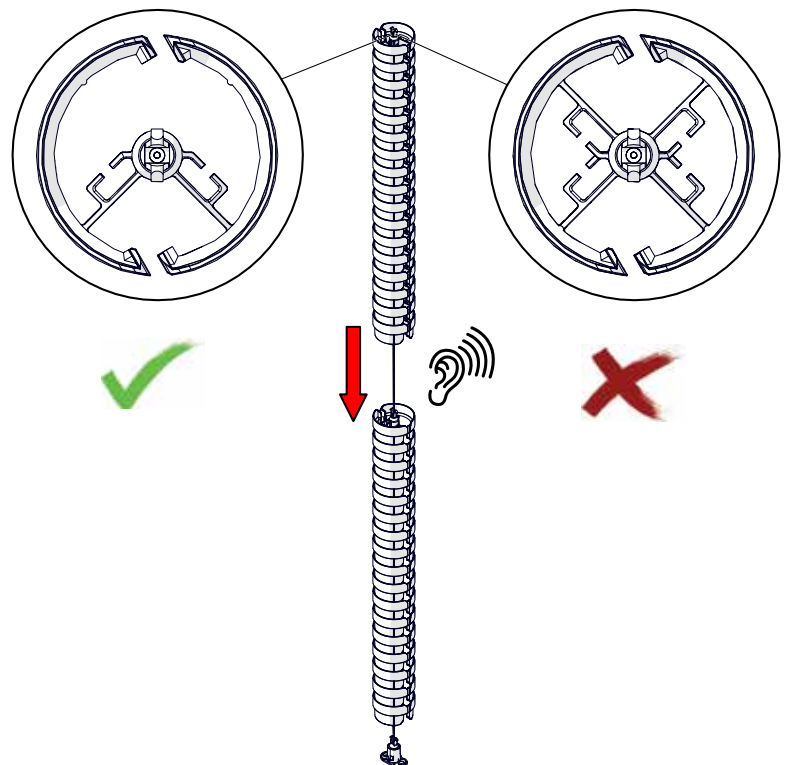
2 Fit wire through bottom mount.



3 Check orientation before feeding wire through.

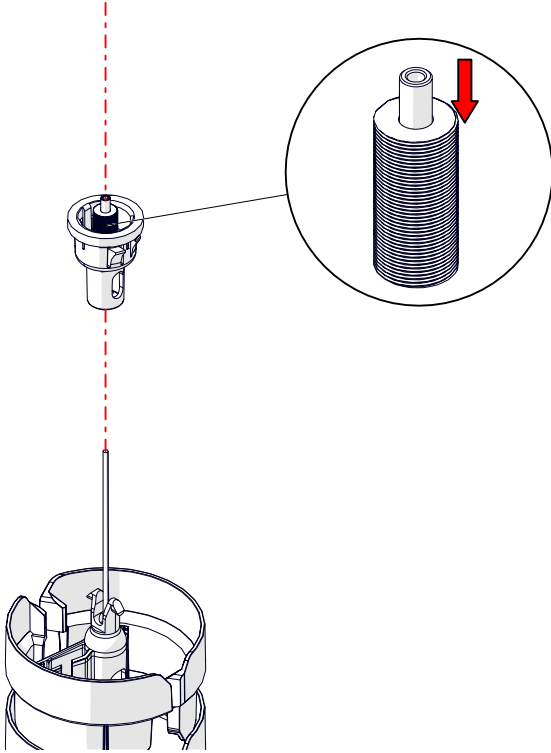


4 Check orientation before clipping sections together.

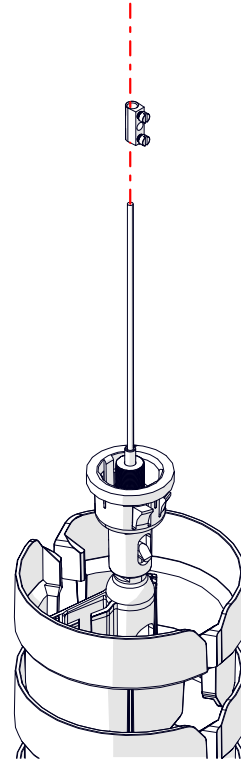


PATHFINDER (floor to ceiling) installation instructions

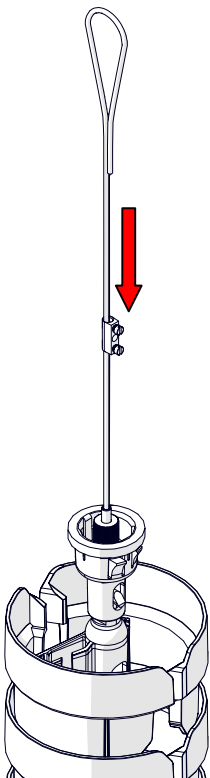
- 5 Press down the tensioner whilst feeding the wire through.



- 6 Fit wire clamp onto wire.



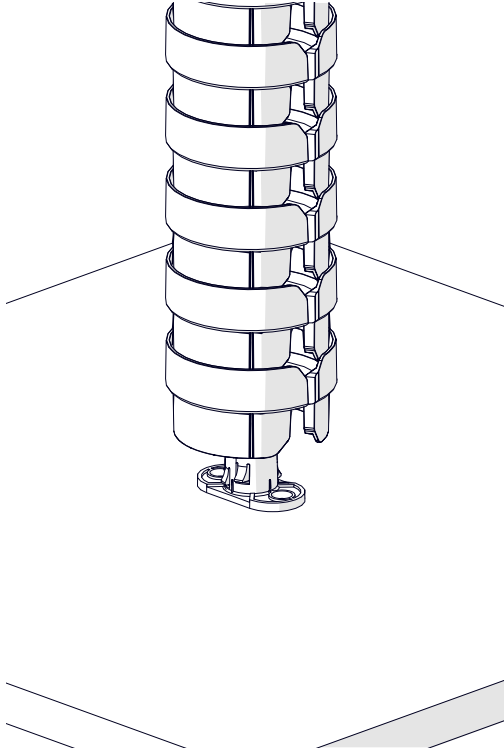
- 7 Create a loop and feed it back through.



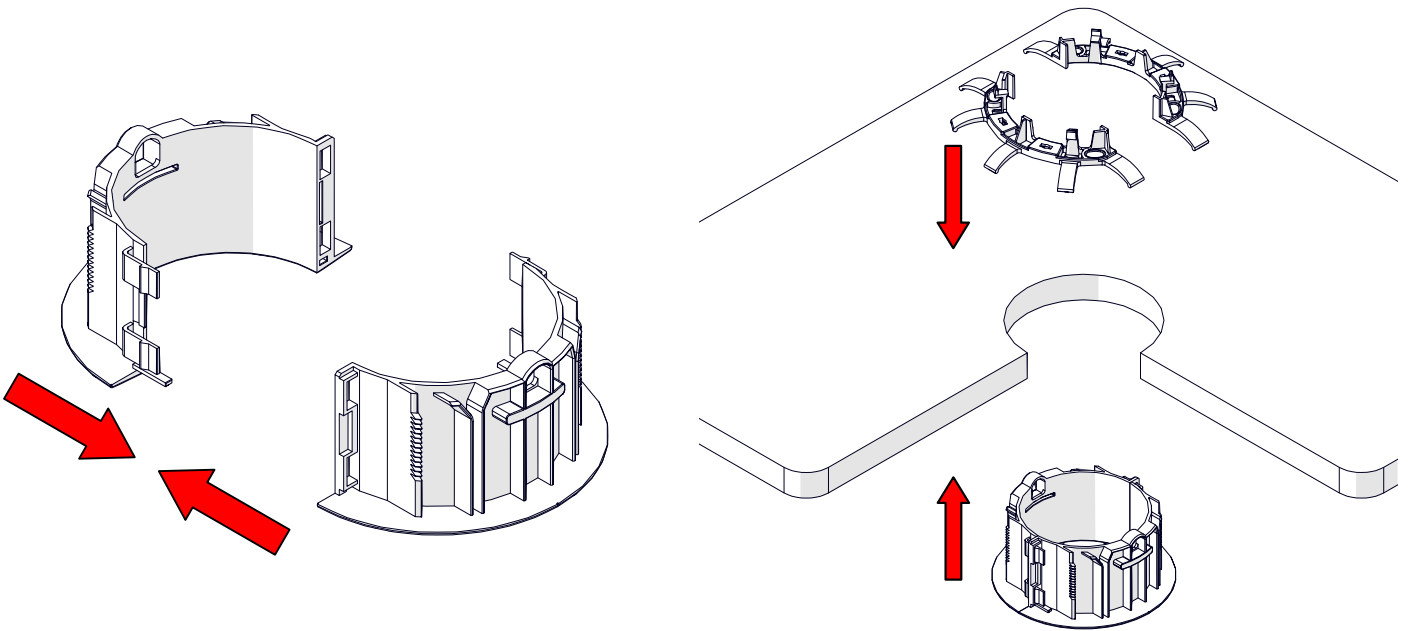
- 8 Tighten screws to secure.



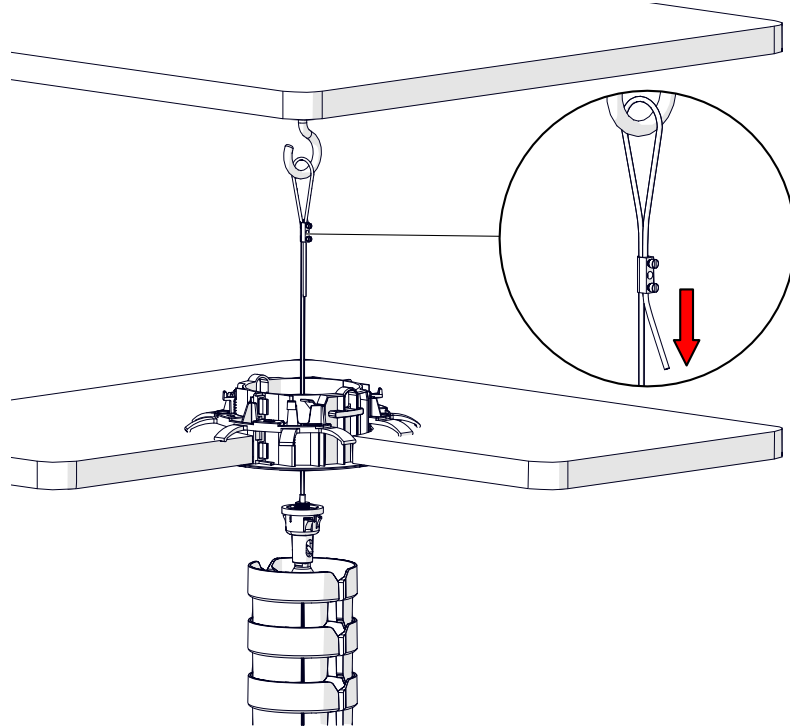
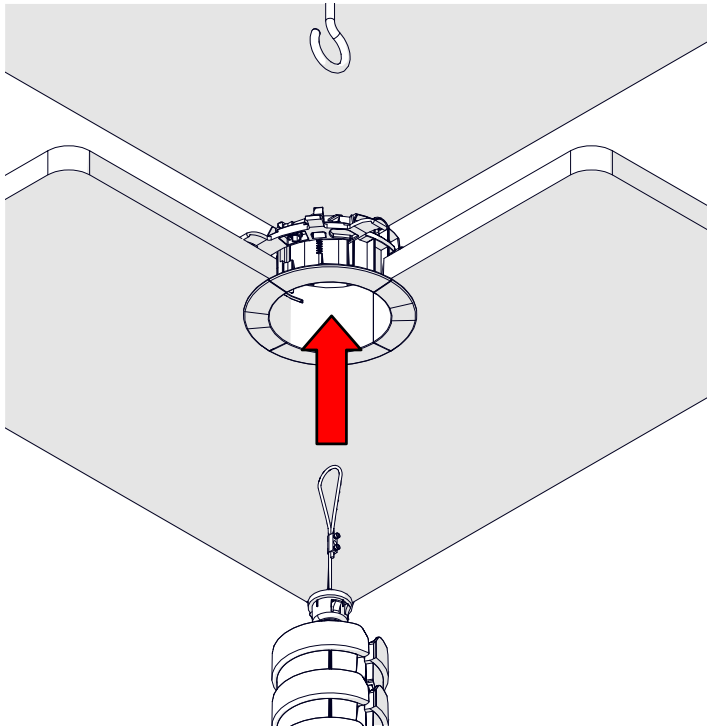
9 Screw floor bracket into place.



10 Install the ceiling collar in a ceiling tile.

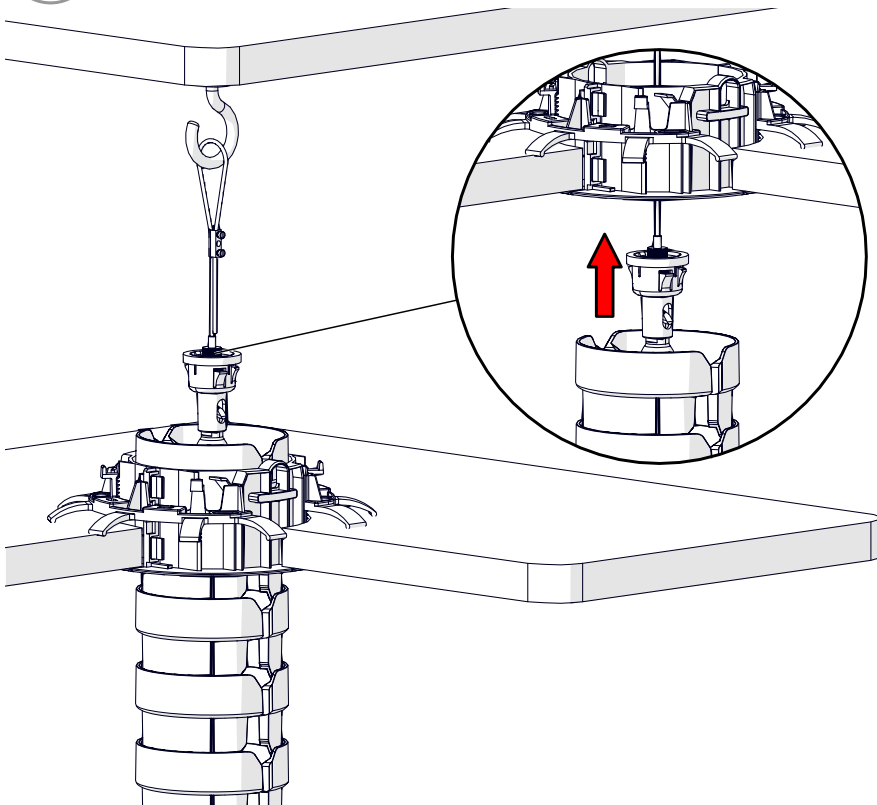


- 11 Secure wire in place. Untighten screws and pull wire tight. Tighten screws.



***Umbilical must not be hung from a false ceiling. It must be secured to the structural ceiling above any false ceiling.**

- 12 Lift PATHFINDER to tension the segments.



13

