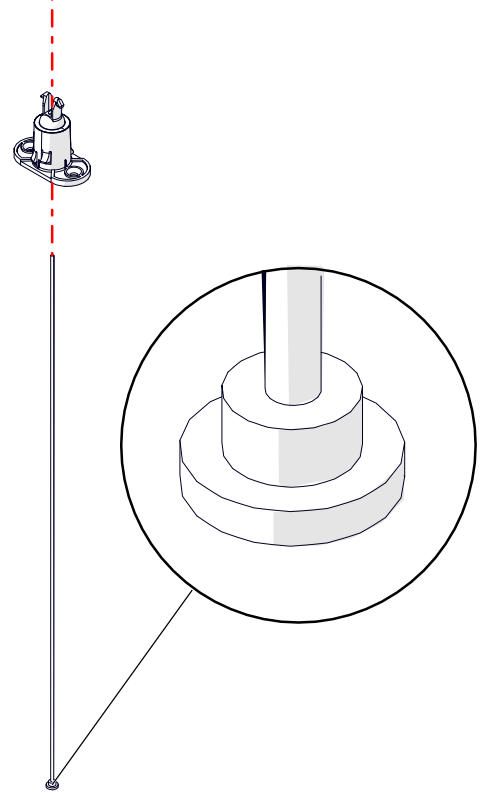


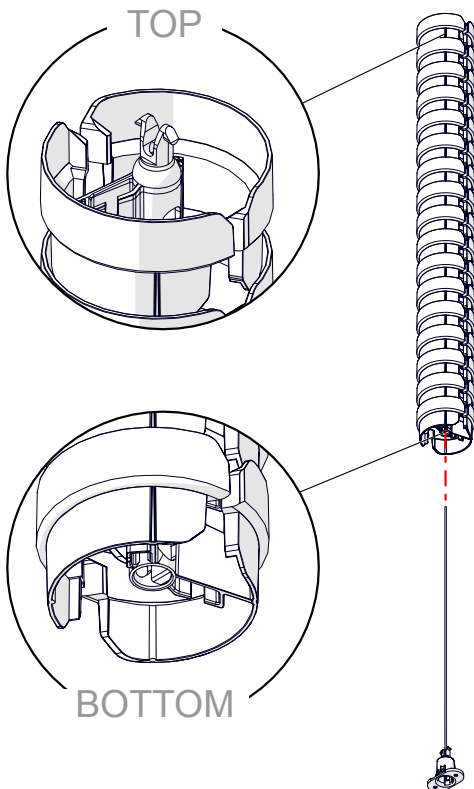
1 Remove wire clamp from wire.



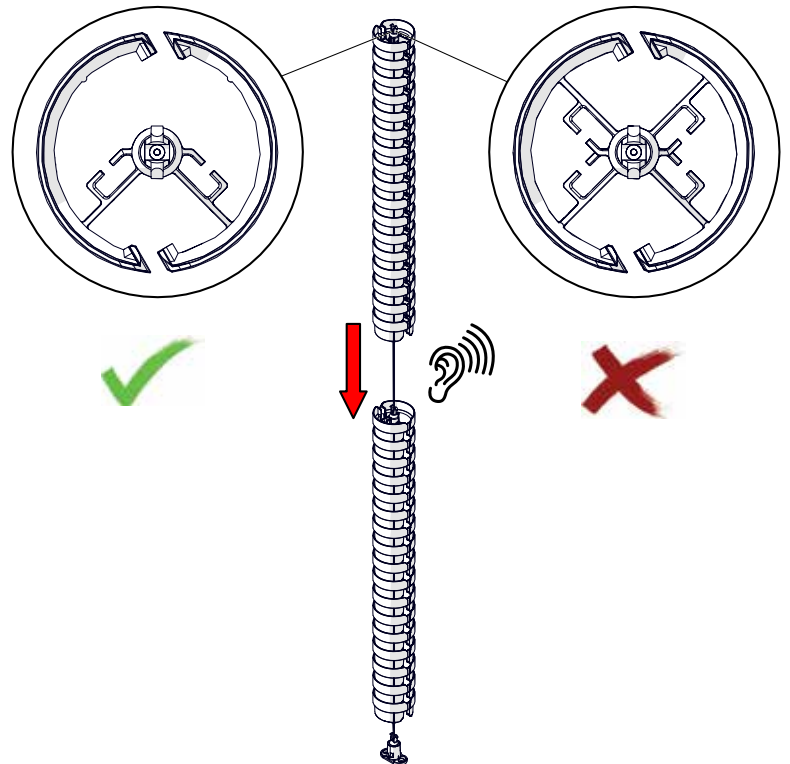
2 Fit wire through bottom mount.



3 Check orientation before feeding wire through.

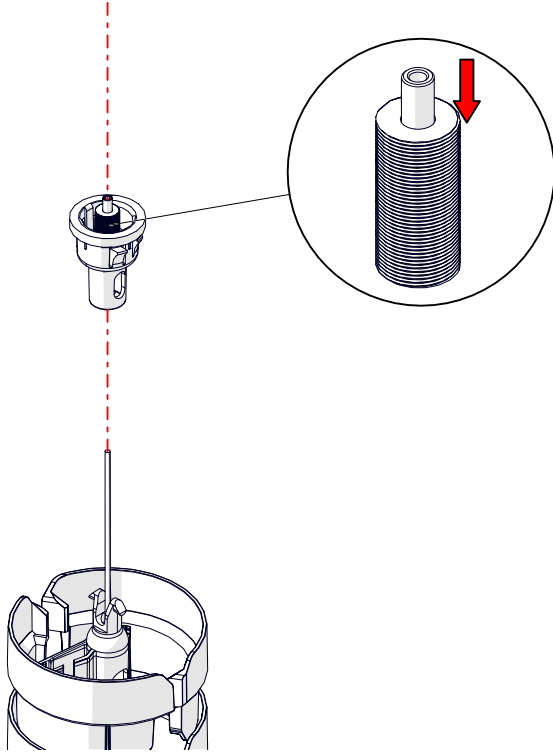


4 Check orientation before clipping sections together.

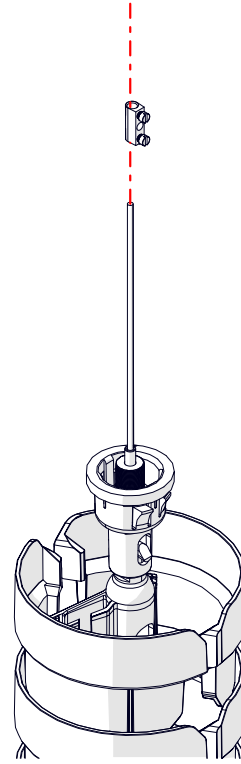


PATHFINDER (desk to ceiling) installation instructions

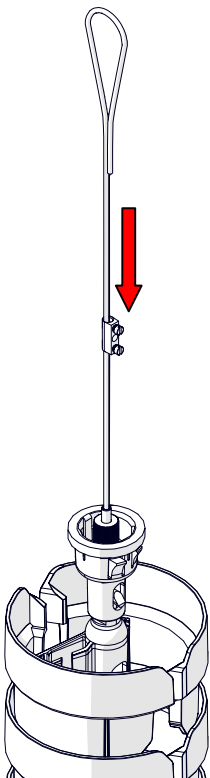
- 5 Press down the tensioner whilst feeding the wire through.



- 6 Fit wire clamp onto wire.



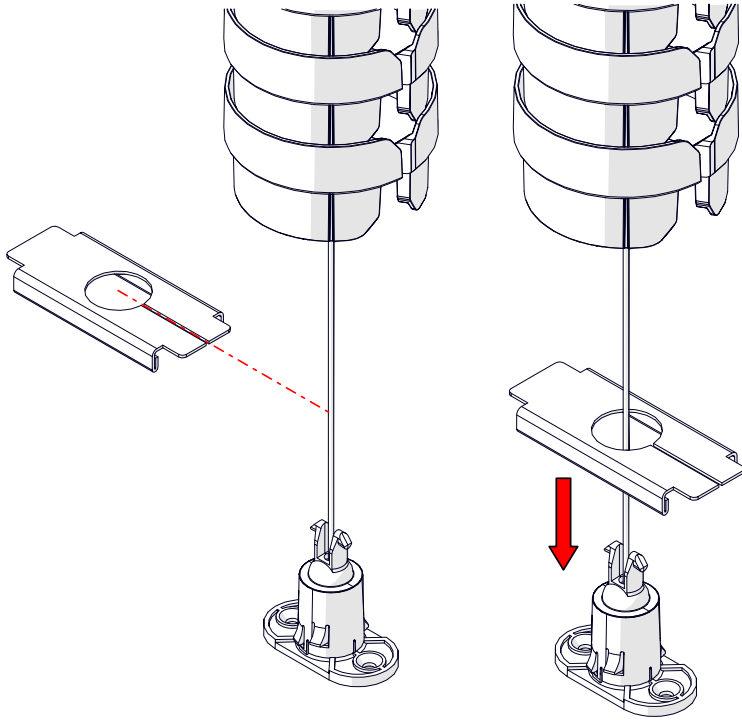
- 7 Create a loop and feed it back through.



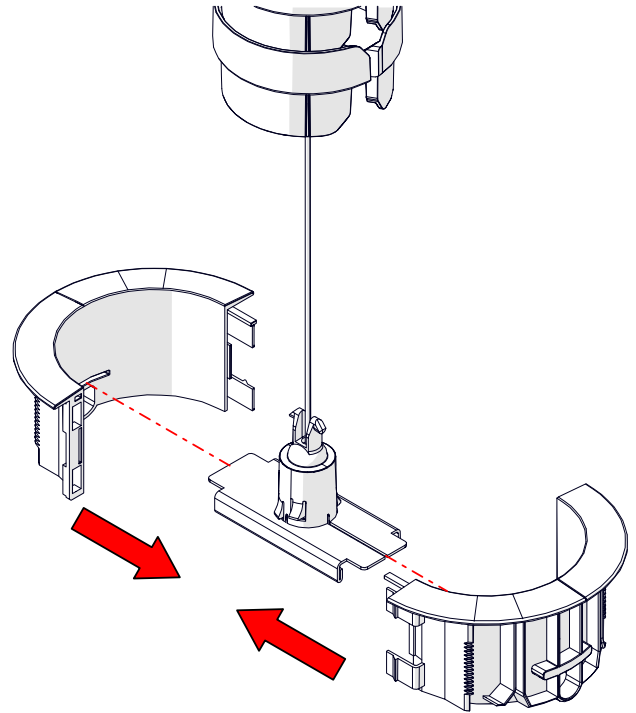
- 8 Tighten screws to secure.



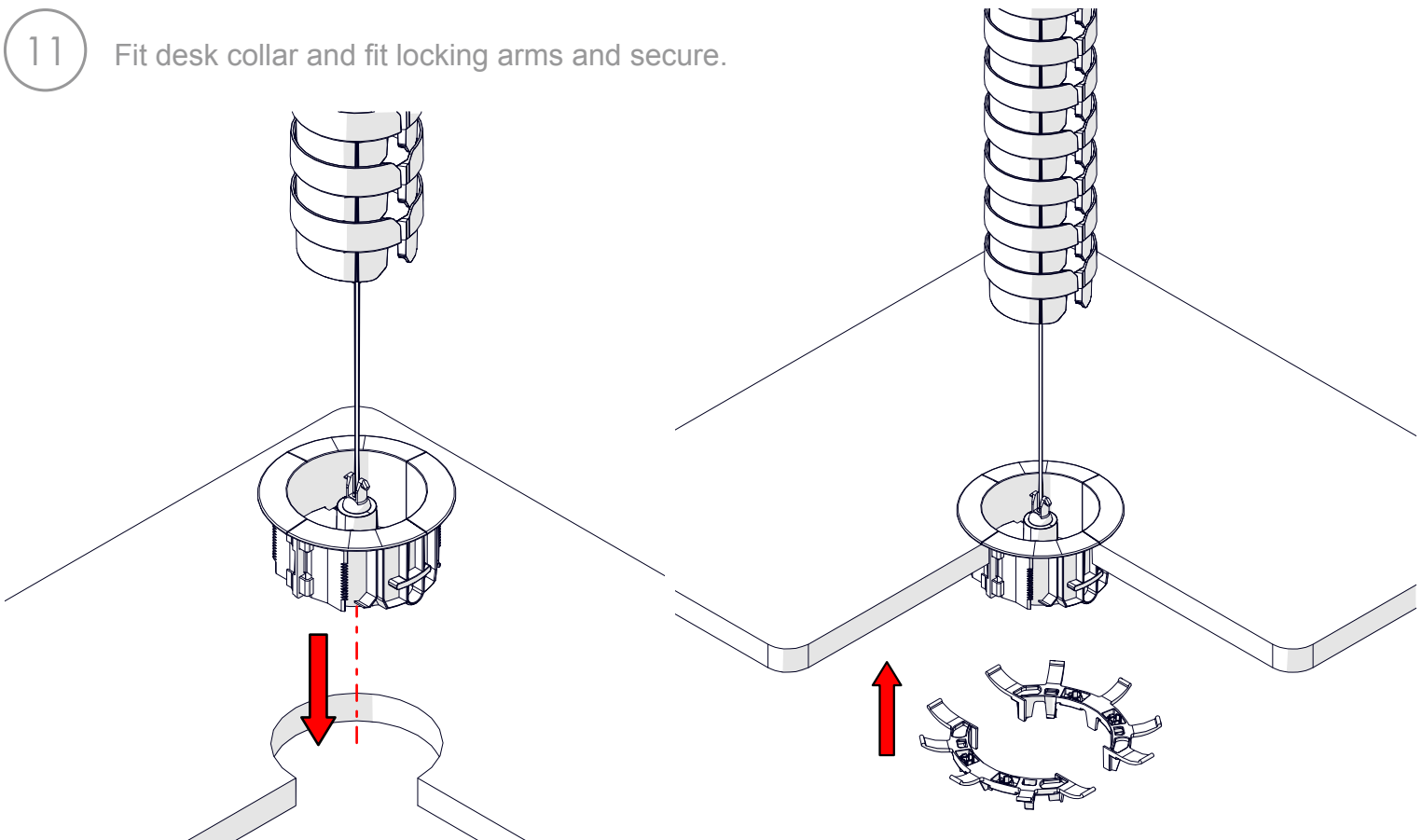
9 Fix bracket to bottom mount.



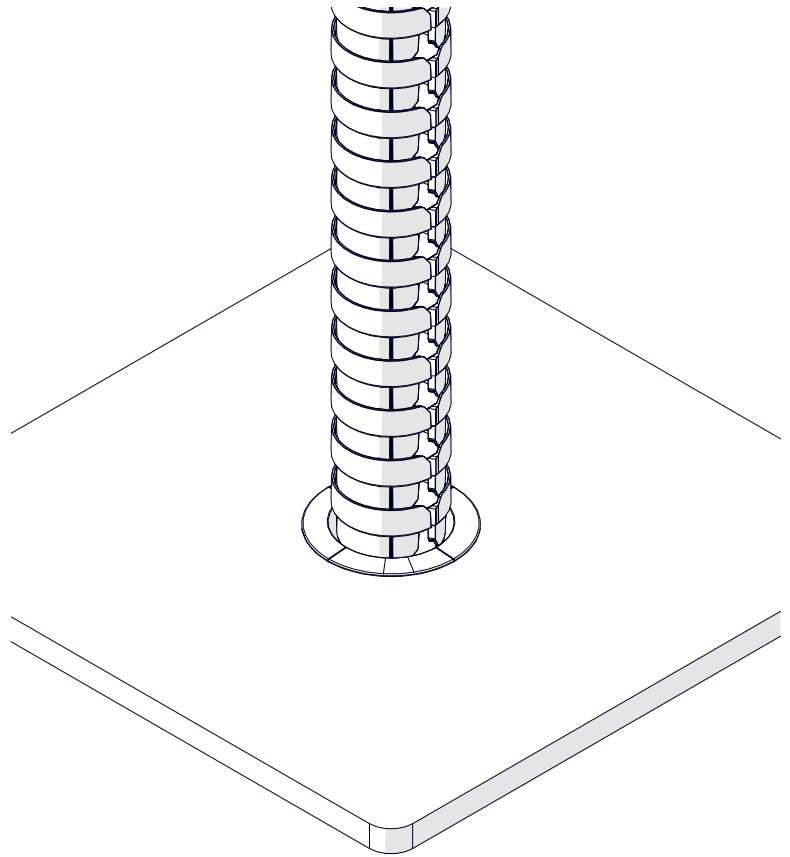
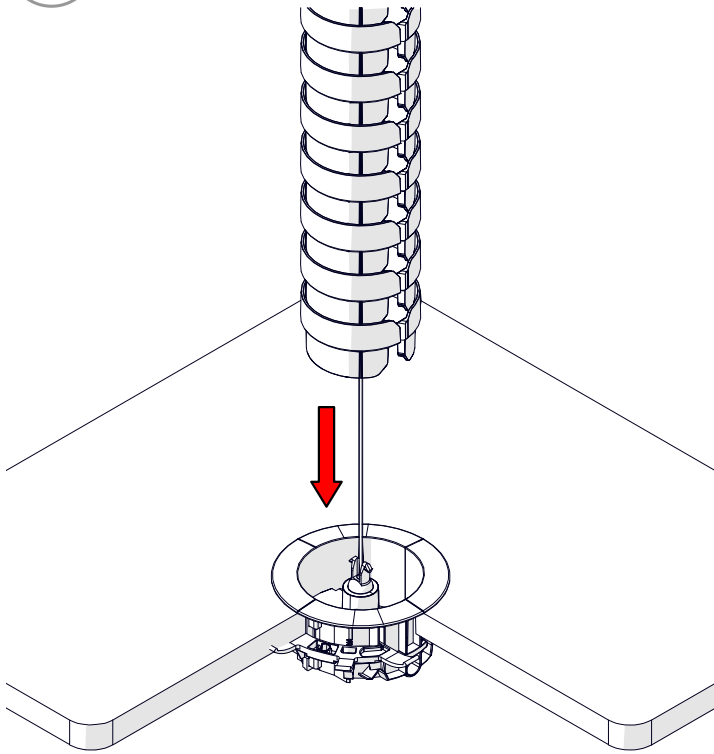
10 Assemble the desk collar.



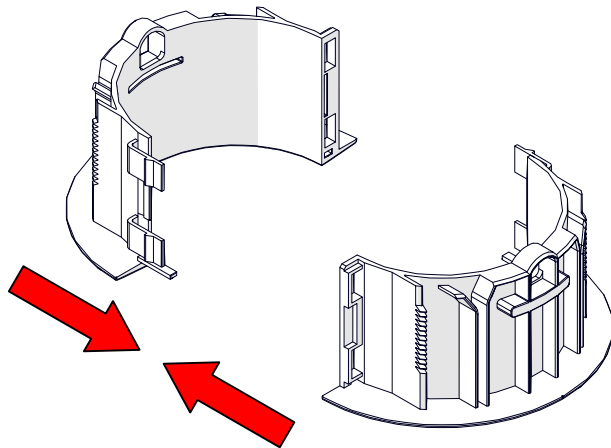
11 Fit desk collar and fit locking arms and secure.



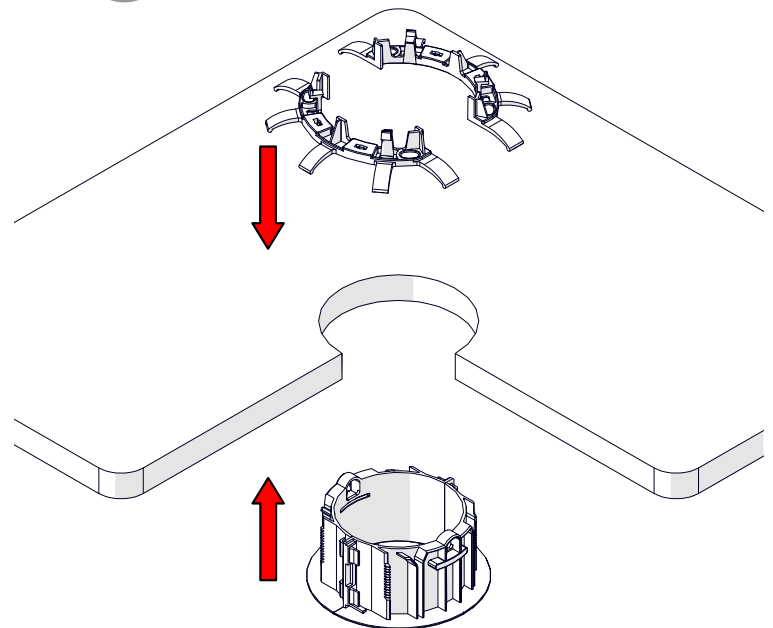
12 Fix PATHFINDER to bottom mount.



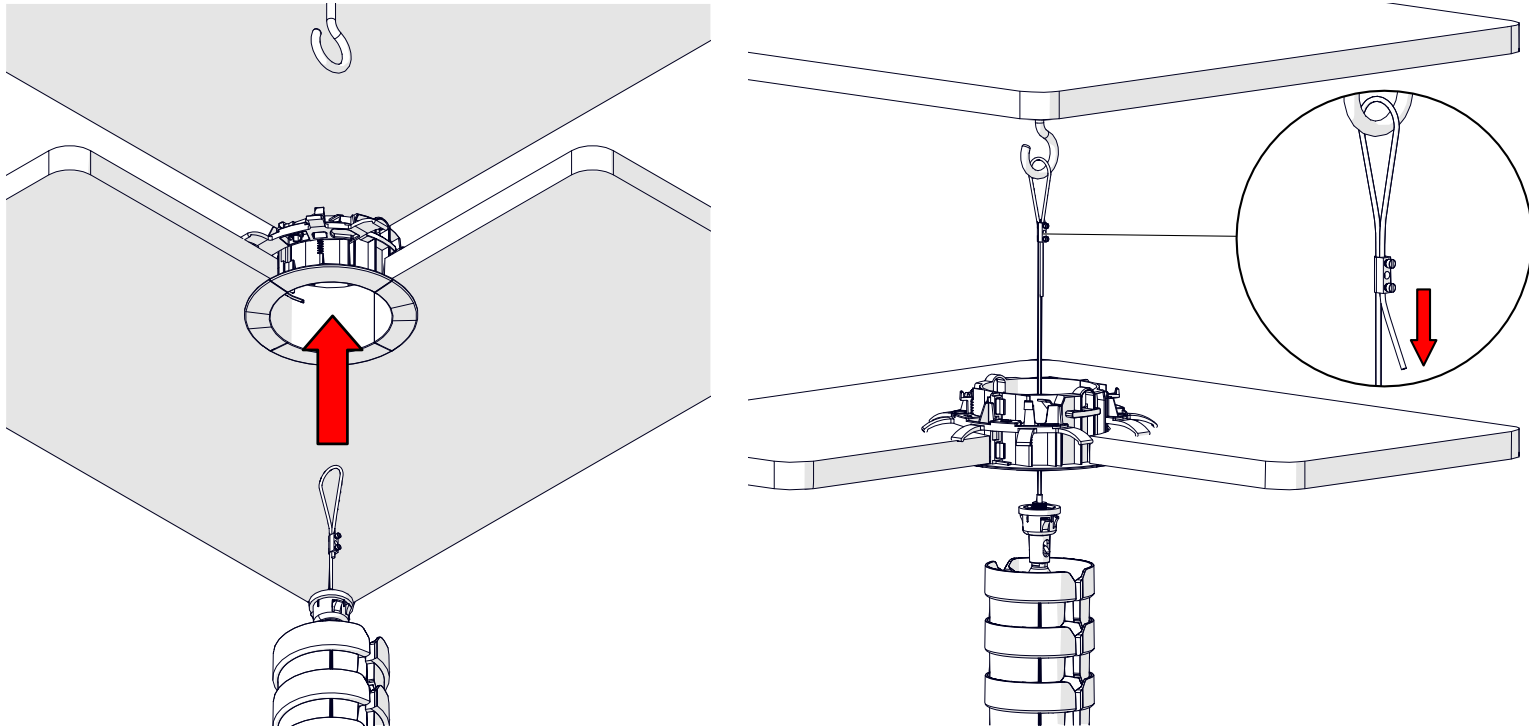
13 Install the ceiling collar in a ceiling tile.



14

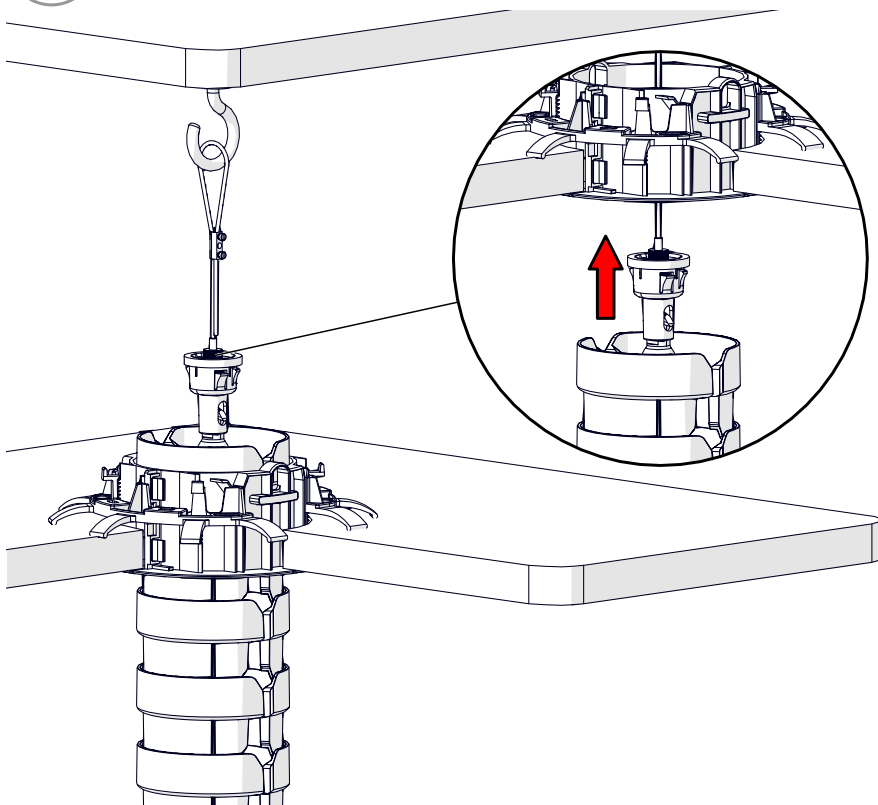


15 Secure wire in place. Untighten screws and pull wire tight. Tighten screws.



***Umbilical must not be hung from a false ceiling. It must be secured to the structural ceiling above any false ceiling.**

16 Lift PATHFINDER to tension the segments.



17

