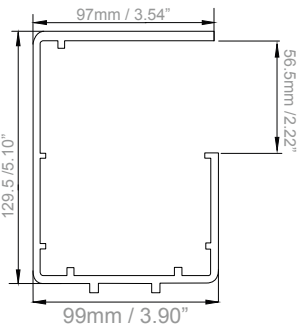
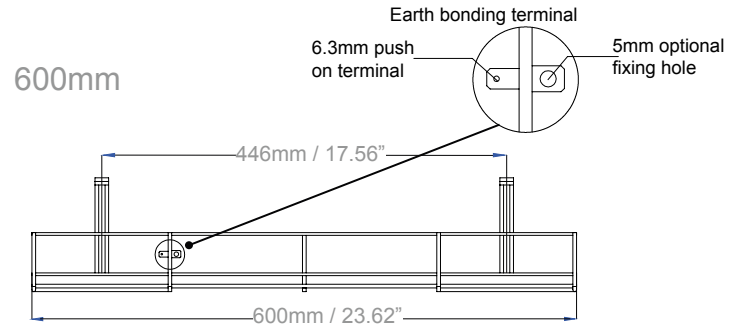
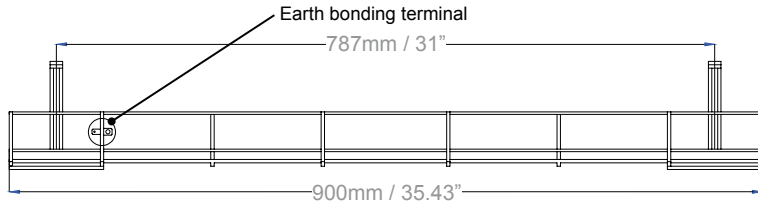


Single tier

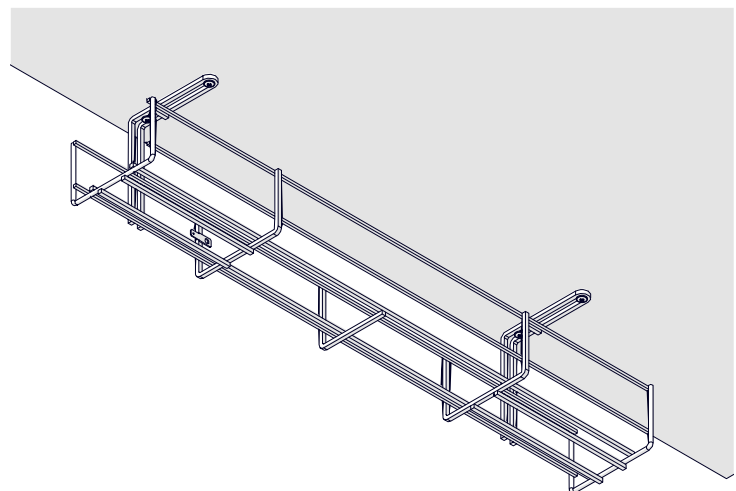
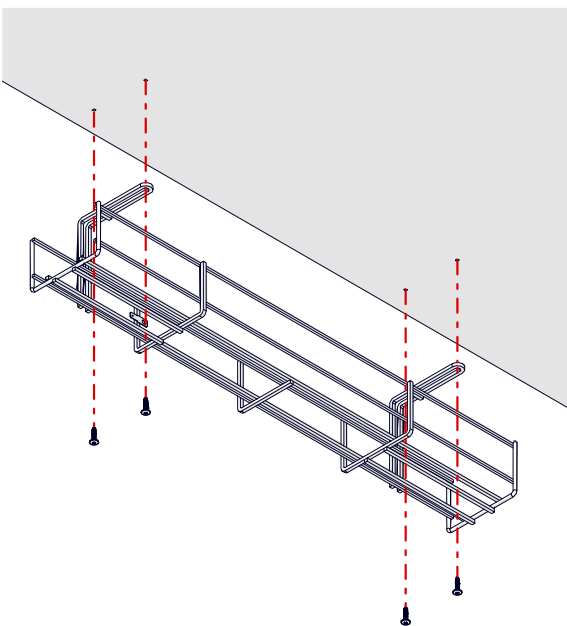
[View the video on our website here.](#)

- 1 Align QIKTRAY and mark with a pencil.
900mm



- 2 Align QIKTRAY with pilot holes and screw in place.
No 10 / No 12 flange head screws used.

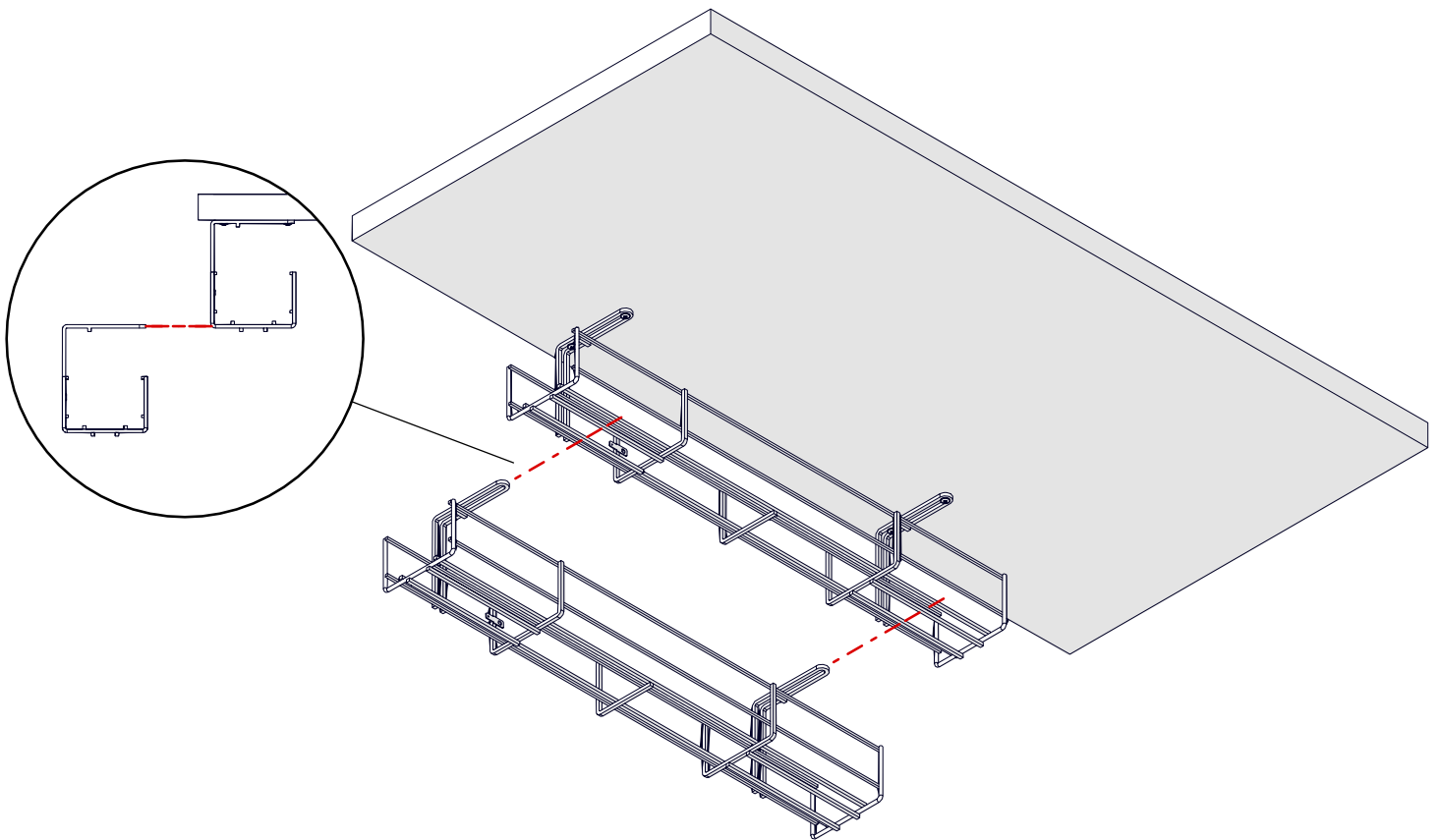
3



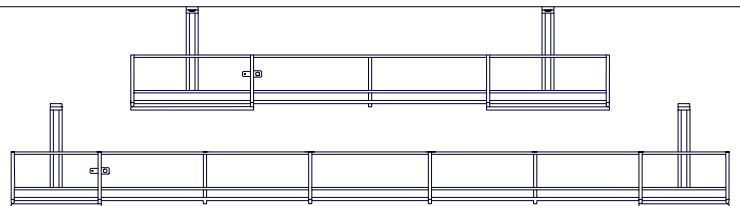
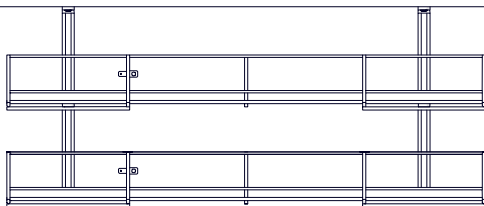
Double tier

1 To fit a second QIKTRAY (double tier) please follow Pg. 1 first.

2 Align the second QIKTRAY with the existing one.



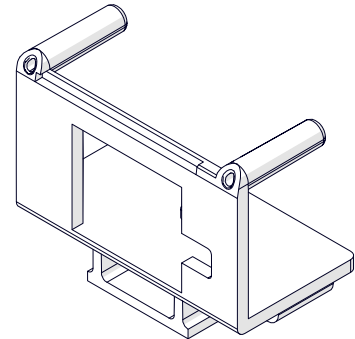
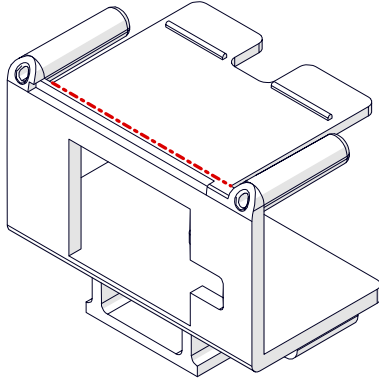
3 Only the same size tray can be stacked under another tray.



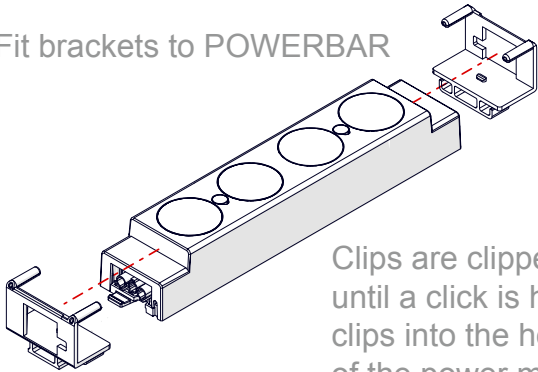
QIKTRAY fitting options installation instructions

Fitting POWERBAR or POWERBOX to QikTray

1 Snap tab off bracket (shown with dotted line)

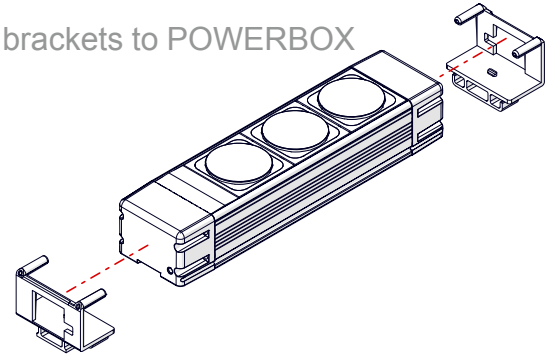


2 Fit brackets to POWERBAR



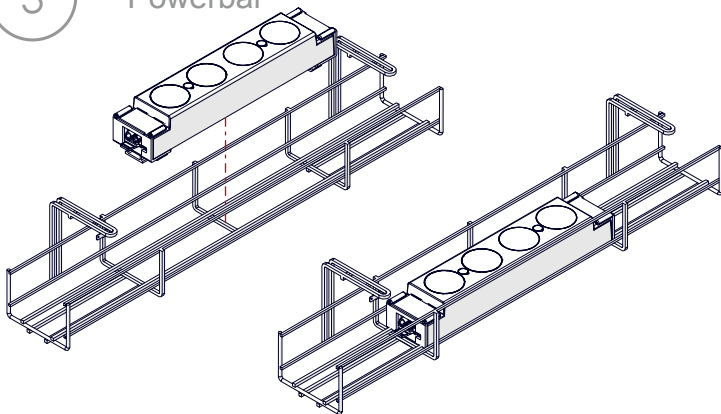
OR

Fit brackets to POWERBOX



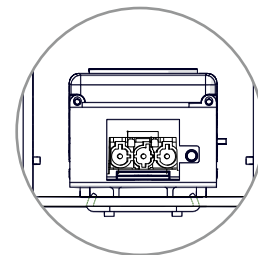
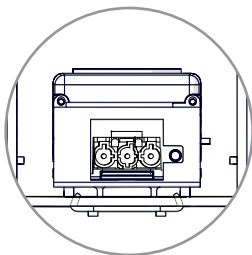
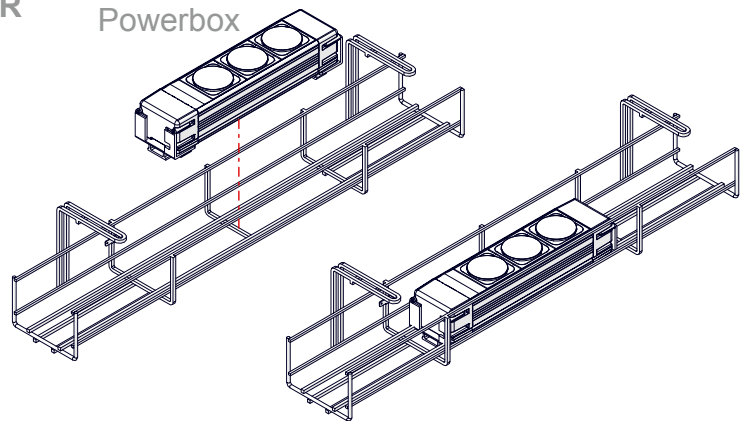
Clips are clipped onto the ends, until a click is heard as the tooth clips into the hole in the bottom of the power module

3 Powerbar



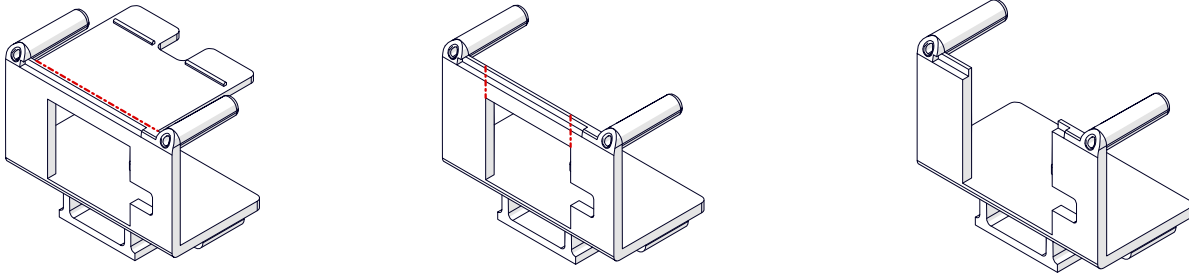
OR

Powerbox

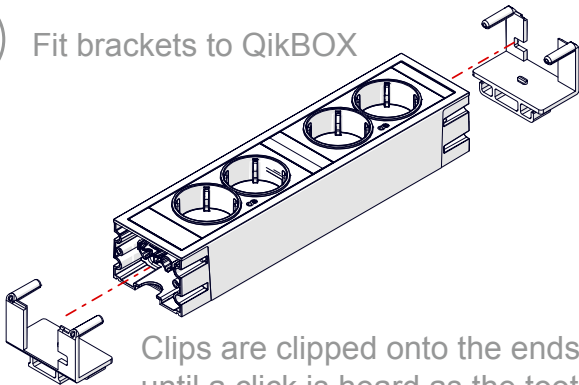


Fitting QIKBOX to QikTray

1 Snap tab off bracket (shown with dotted line) and cut out cross bar (vertical dotted lines)

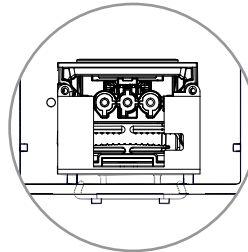
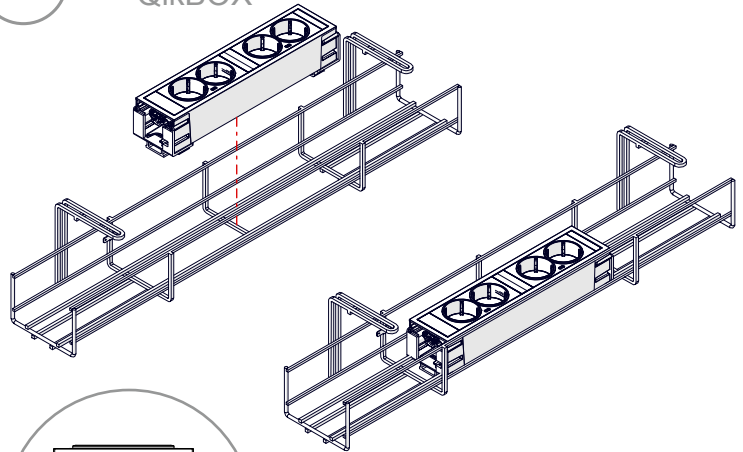


2 Fit brackets to QikBOX



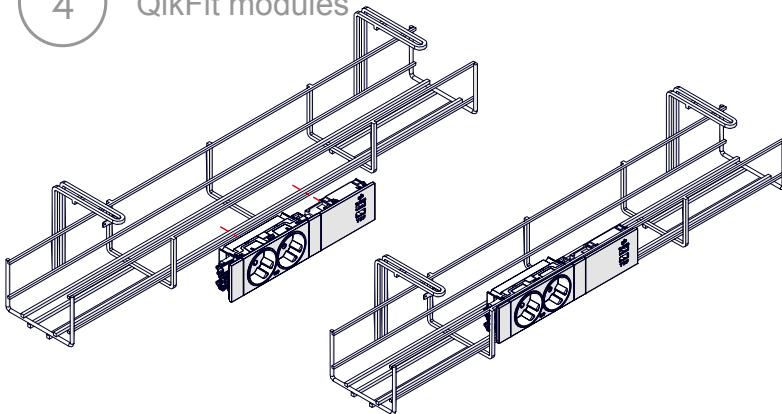
Clips are clipped onto the ends, until a click is heard as the tooth clips into the hole in the bottom of the power module

3 QikBOX

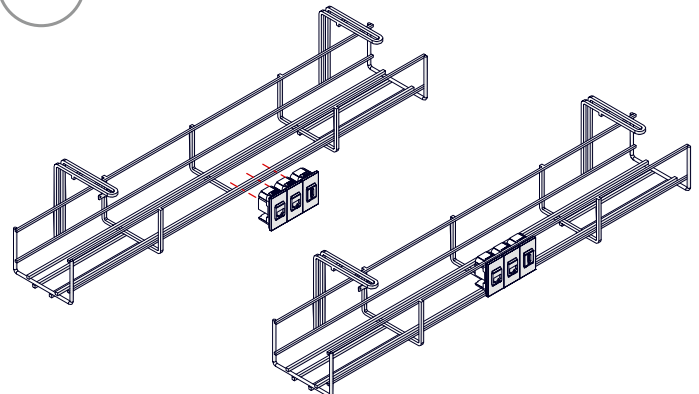


Fitting QikFit Power and Data to QikTray

4 QikFit modules

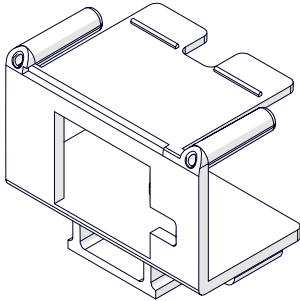


5 QikFit Data

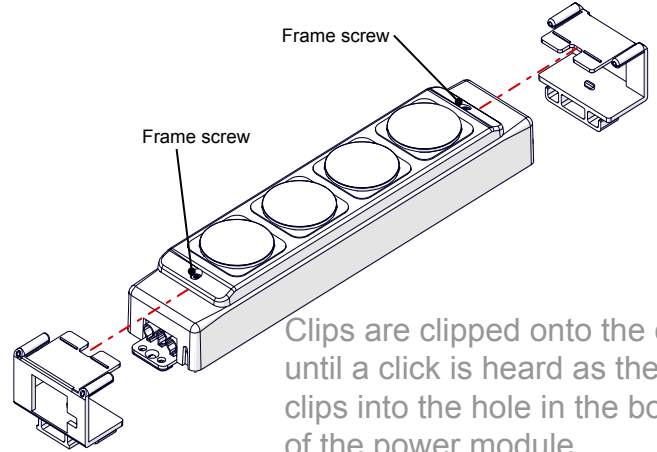


Fitting POWERUNIT to QikTray

1 Fit brackets to POWERUNIT



2 Loosen frame screws, slide tab on bracket under the edge of the frame and tighten screws



Clips are clipped onto the ends, until a click is heard as the tooth clips into the hole in the bottom of the power module

2

