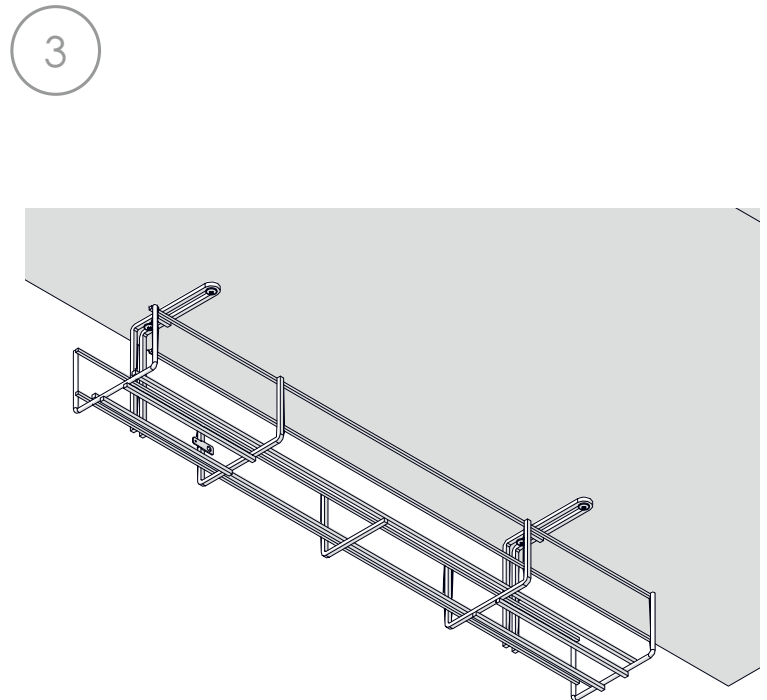
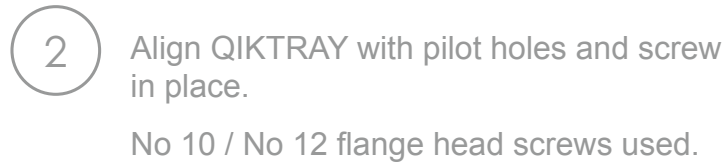
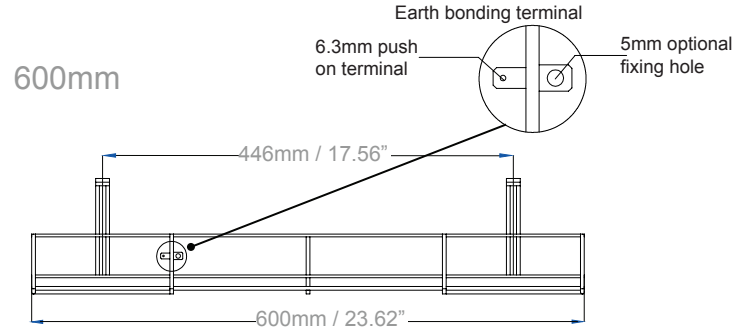
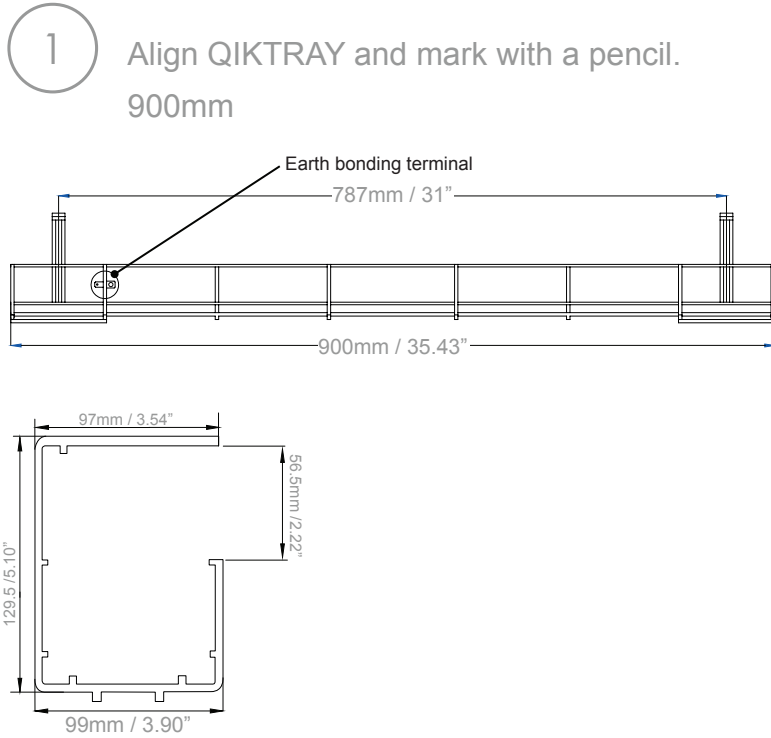


## Single tier

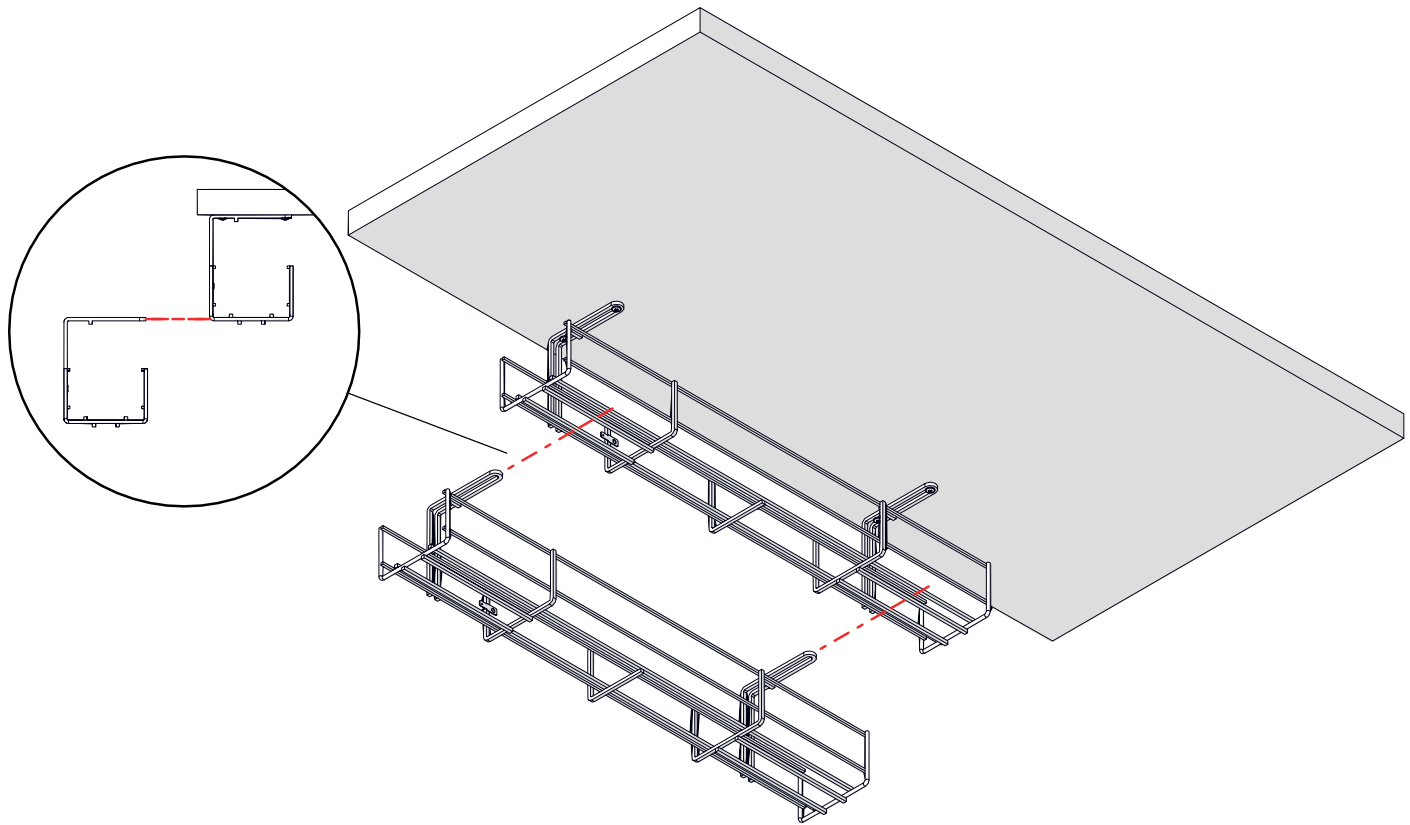
[View the video on our website here.](#)



## Double tier

1 To fit a second QIKTRAY (double tier) please follow Pg. 1 first.

2 Align the second QIKTRAY with the existing one.



3 Only the same size tray can be stacked under another tray.

