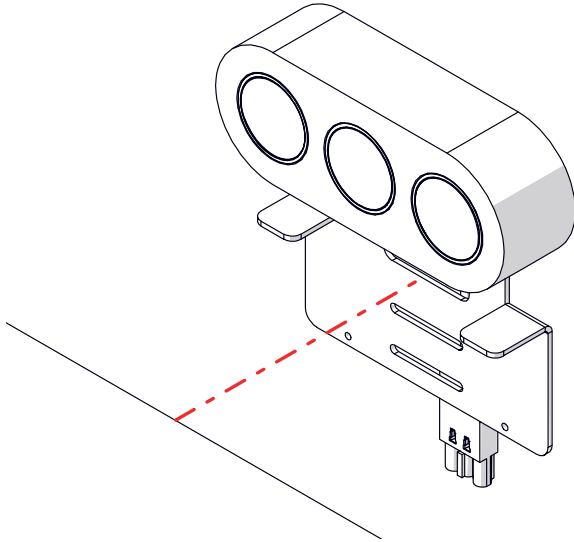
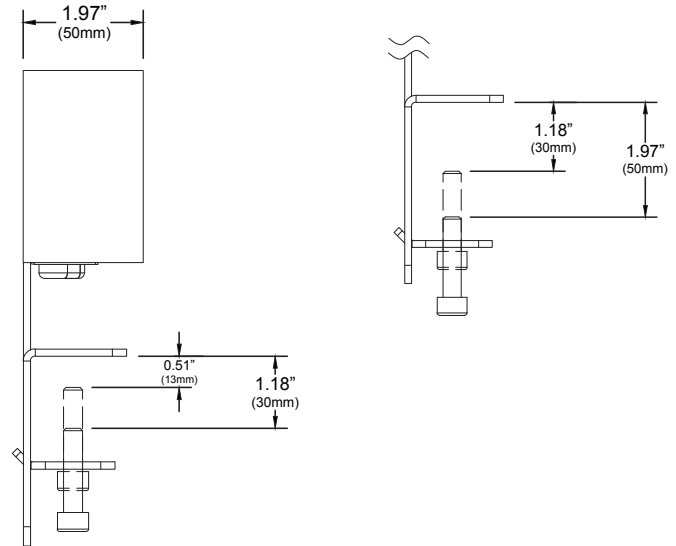


## PLY installation instructions

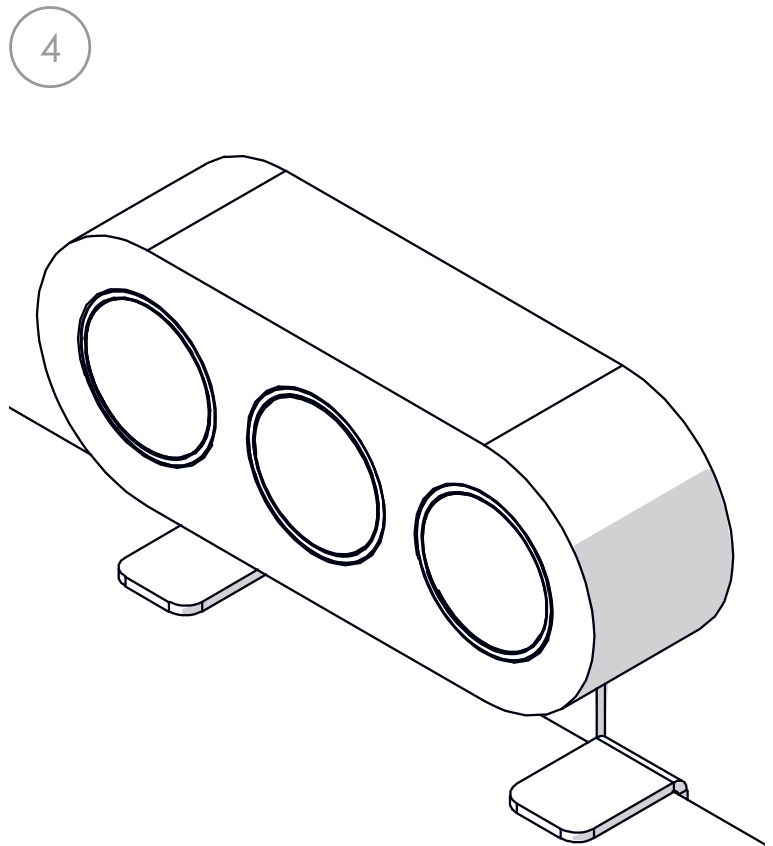
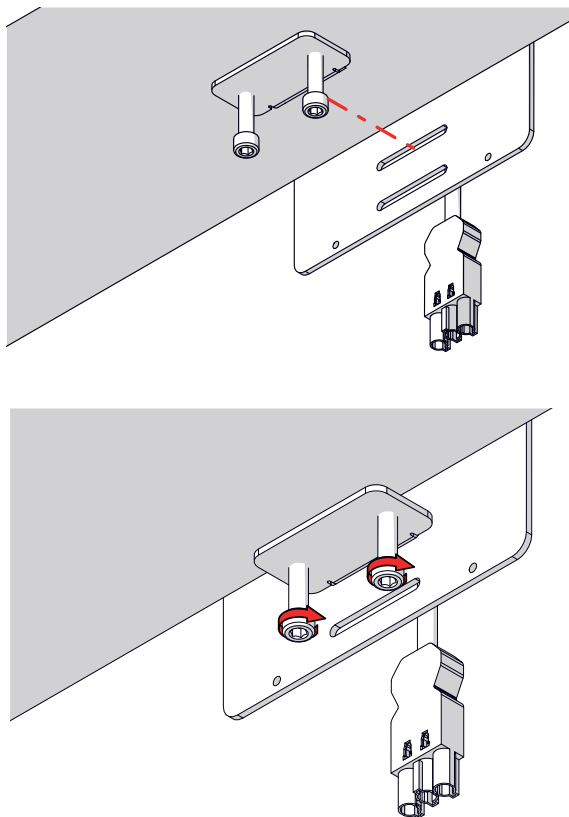
1 Align PLY to surface.



2 Determine where the bracket needs to be clamped.



3 Align the clamp and tighten using fixing bolts.



**CAUTION** Do not overtighten!