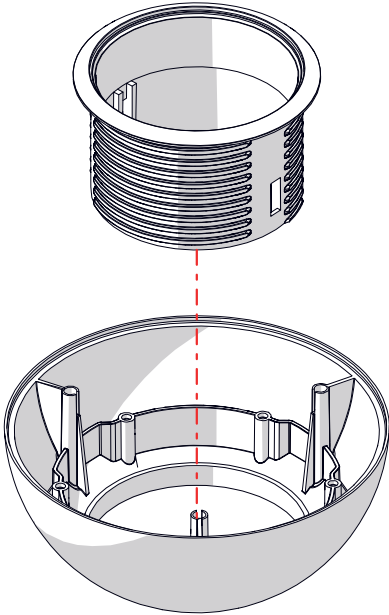
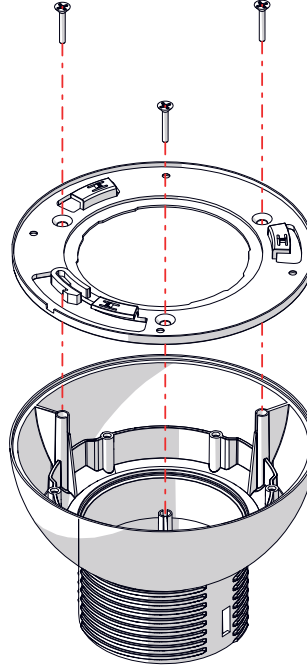


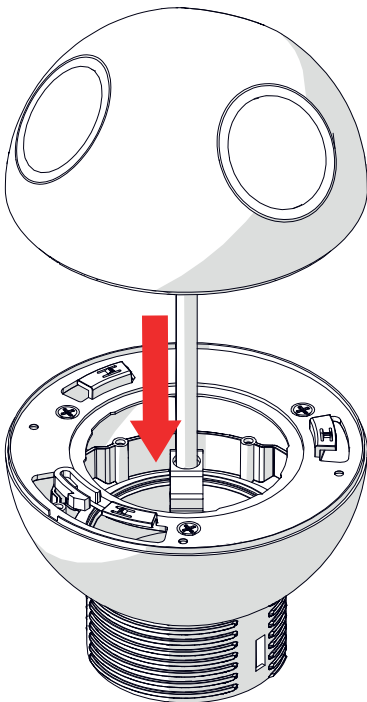
- 1 Place grommet into underdome.  
Skip step 1 & 2 if already assembled



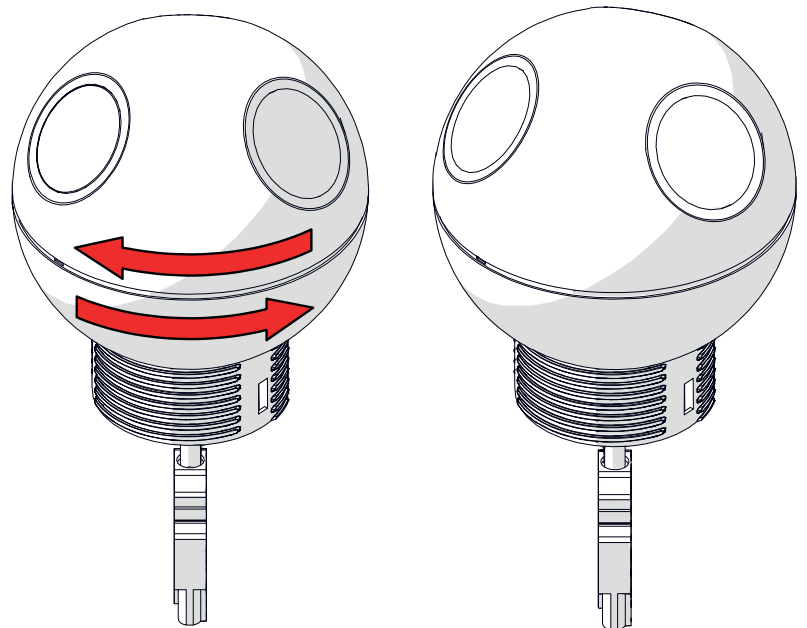
- 2 Screw mounting ring onto underdome



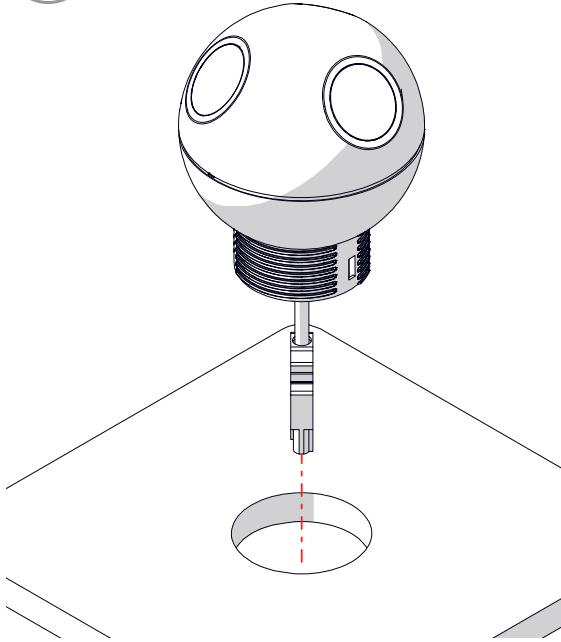
- 3 Place PLUTO on mounting ring



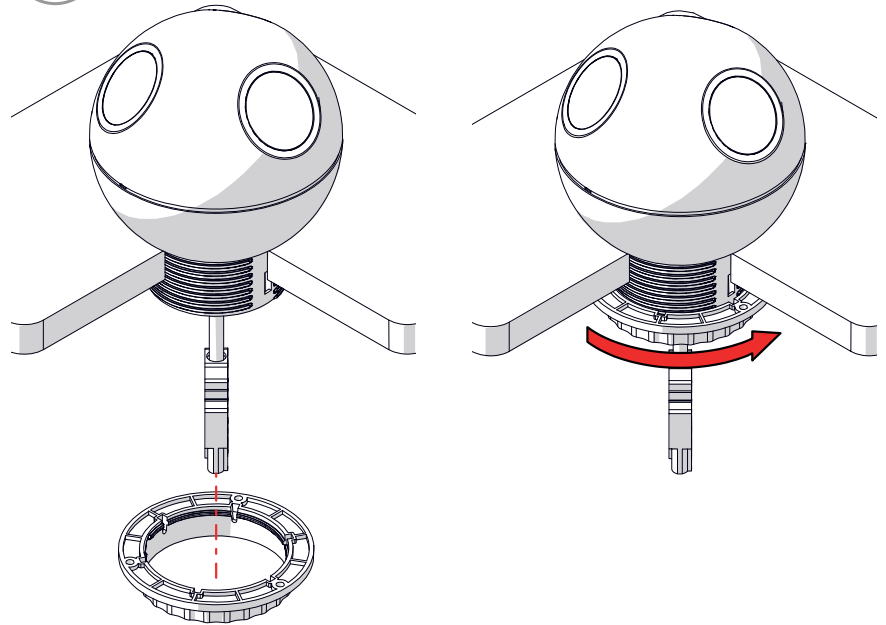
- 4 Rotate and click PLUTO onto mounting ring



5 Place in 80mm / 3.15" hole



6 Screw on retaining nut until firmly in place



7

