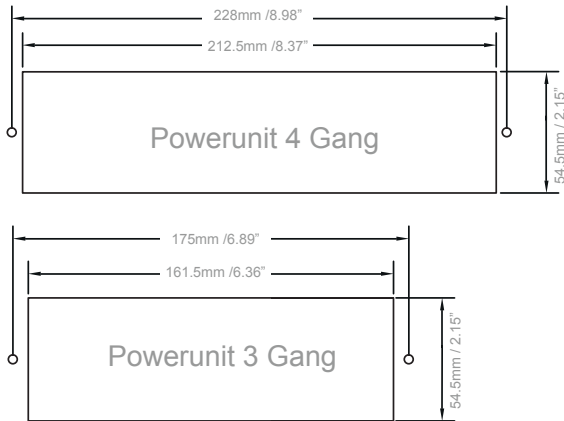
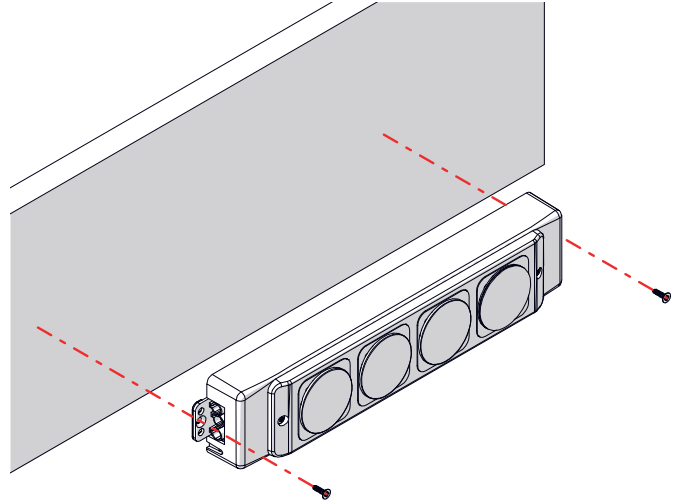


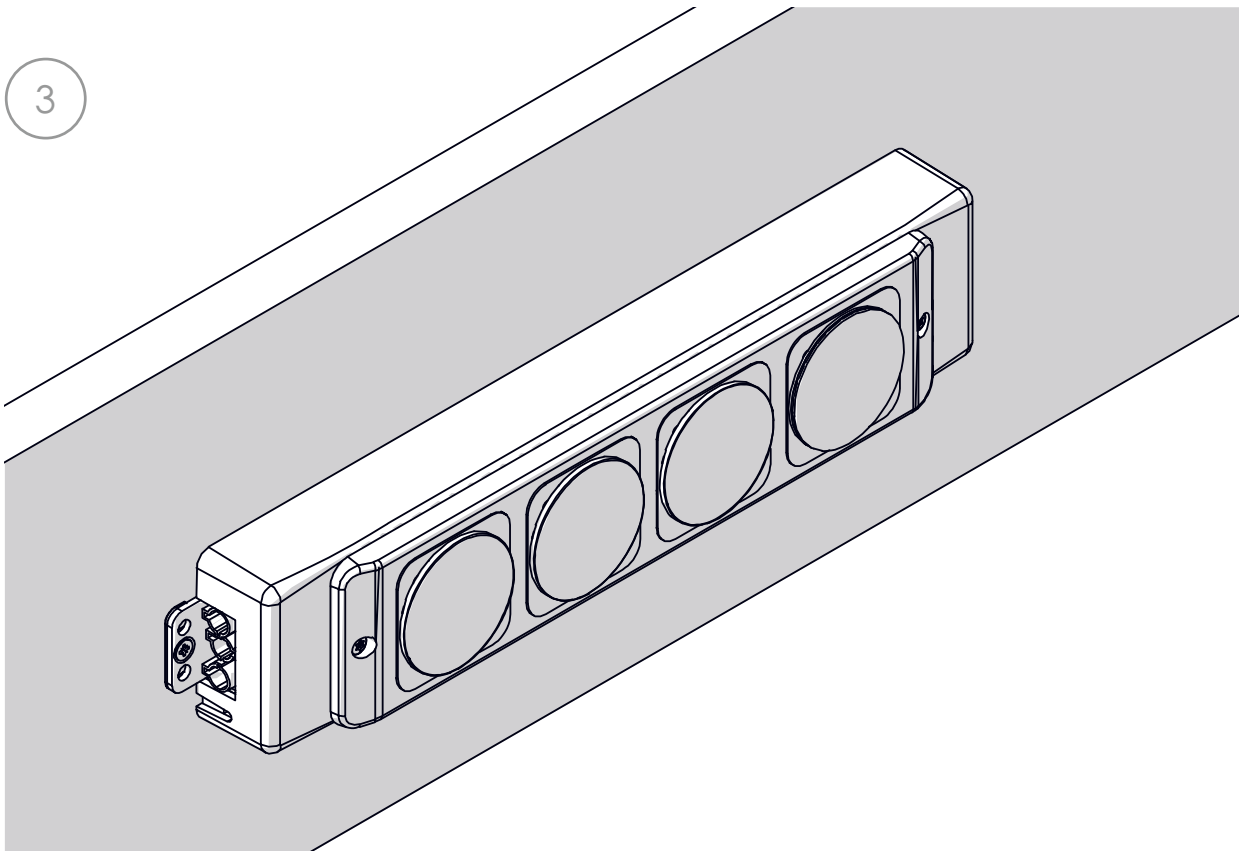
1 Mark screw holes and screw in.



2 Use No.8 Countersunk Screws.
Length dependent on surface mounted to.



3



US installations: up to eight AC sockets are allowed from a starter cord.