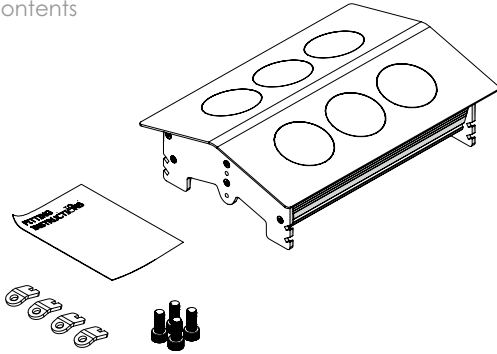
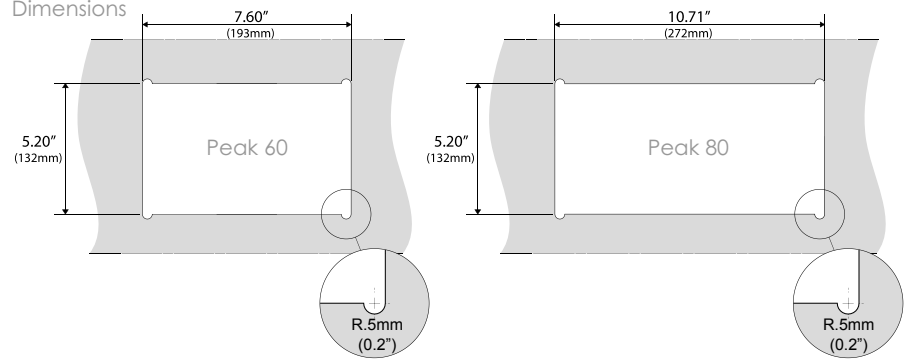


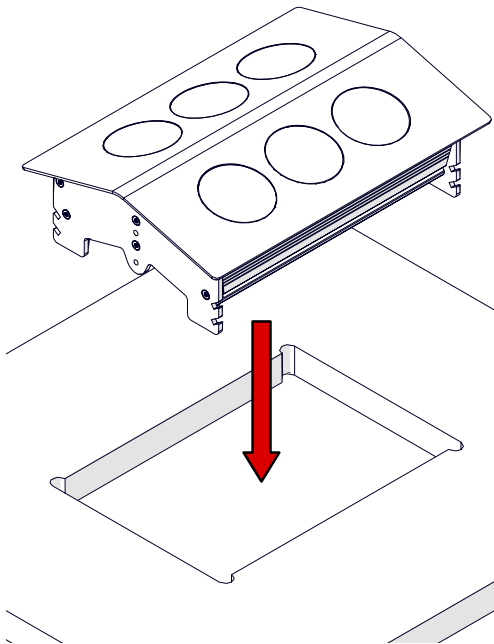
Contents



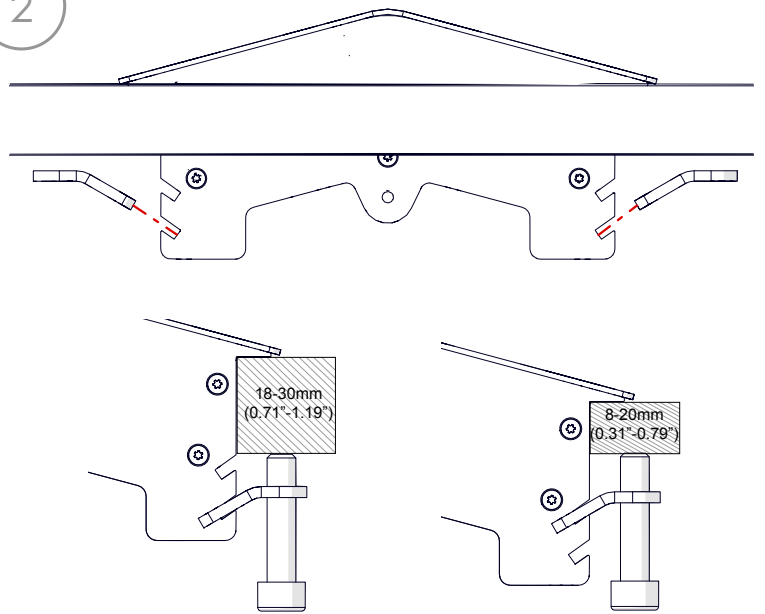
Dimensions



1 Place PEAK into the cutout.



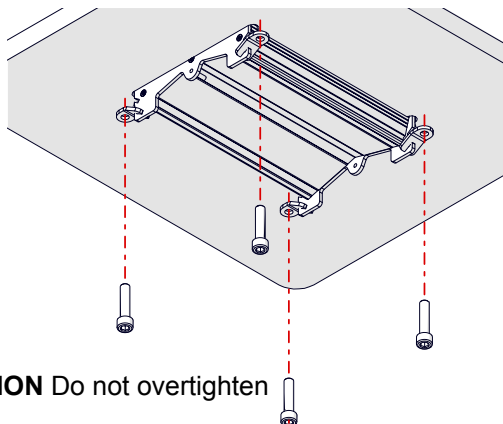
2



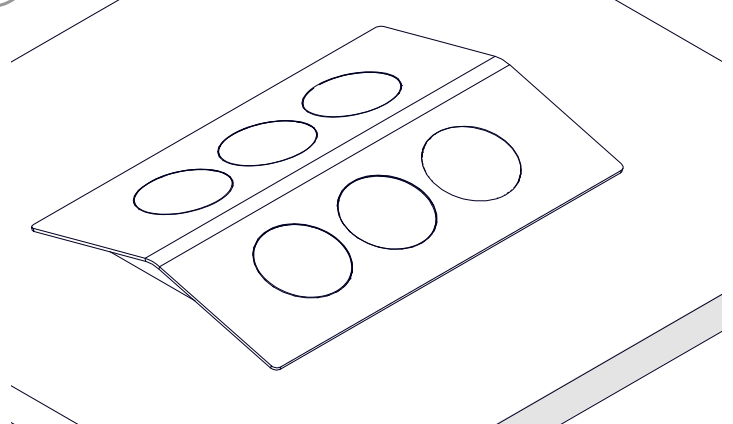
For thicker desks,
place the fixing tab
as shown above.

For thinner desks,
place the fixing tab
as shown above.

3 Insert the screws into the fixing tabs.



4



CAUTION Do not overtighten