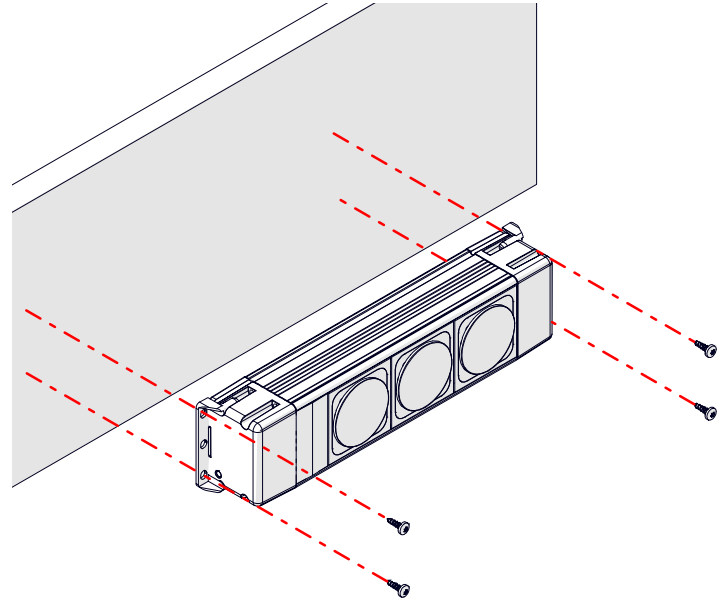
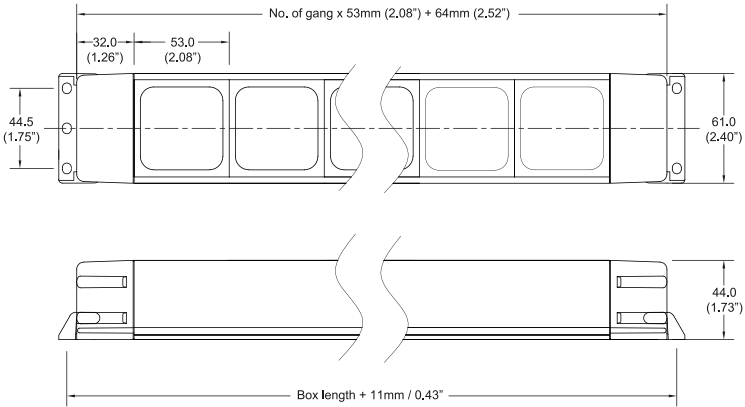


- 1 Mark screw holes and screw in.
Use No.10 pan head.
Length dependent on surface mounted to.



For increased accuracy, use metric dimensions.

