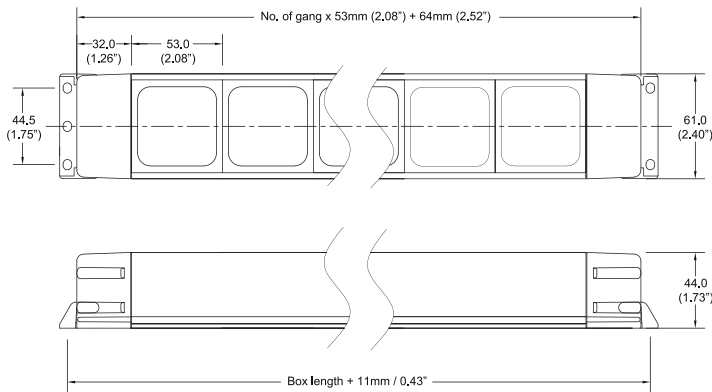
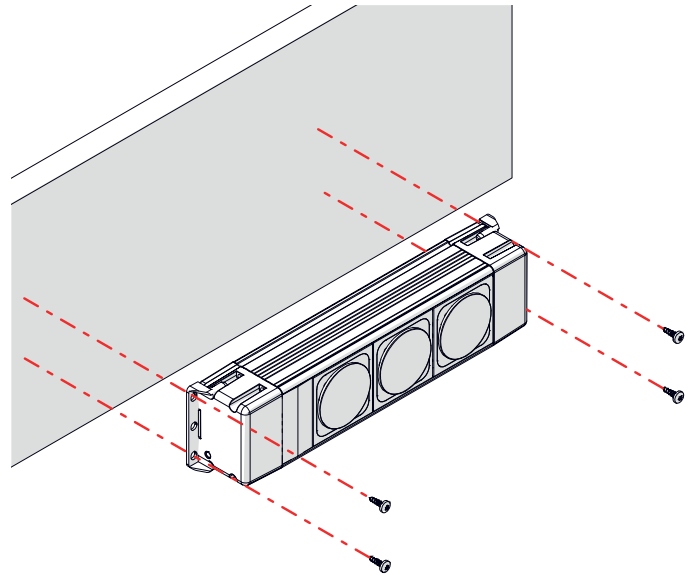


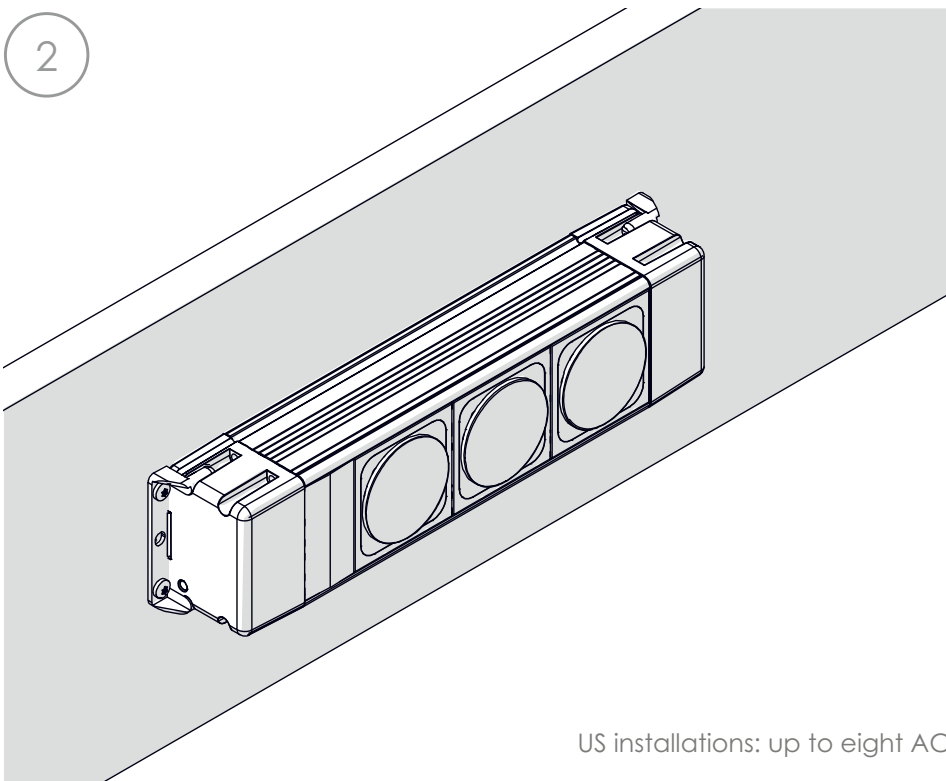
- 1 Mark screw holes and screw in.  
Use No. 10 pan head.  
Length dependent on surface mounted to.



For increased accuracy, use metric dimensions.



2



US installations: up to eight AC sockets are allowed from a starter cord.