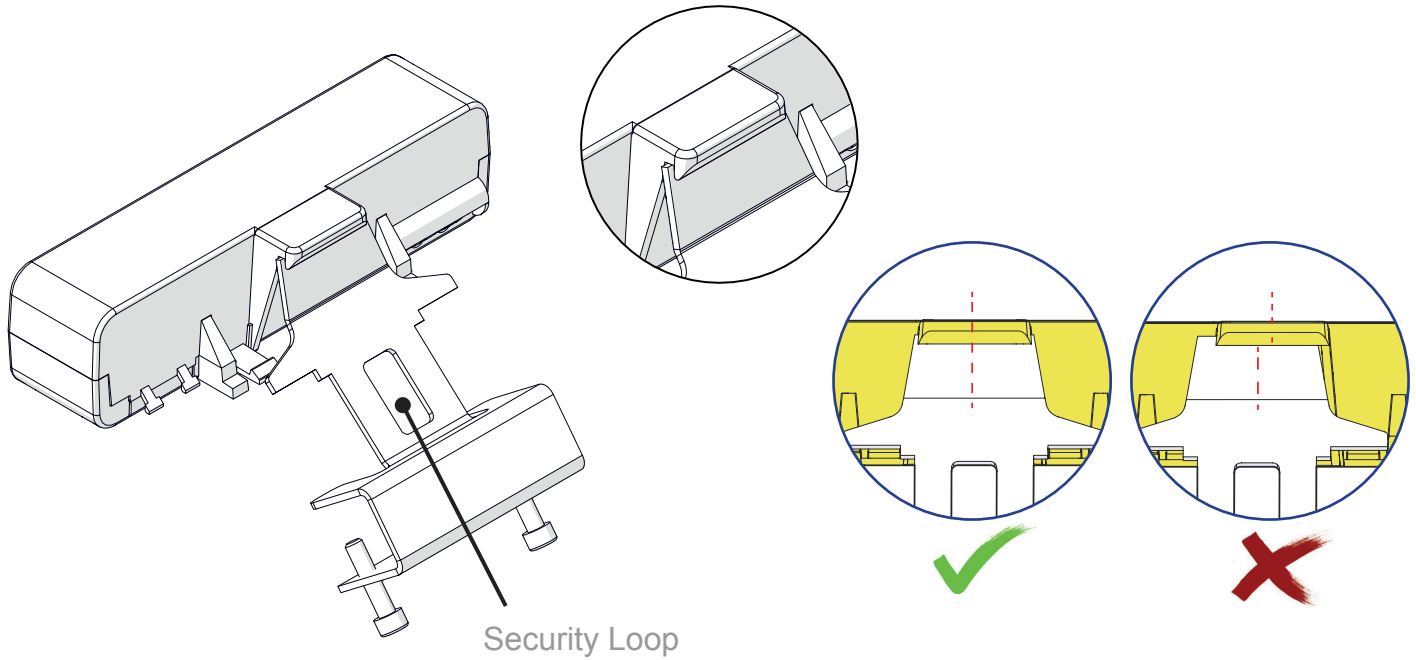
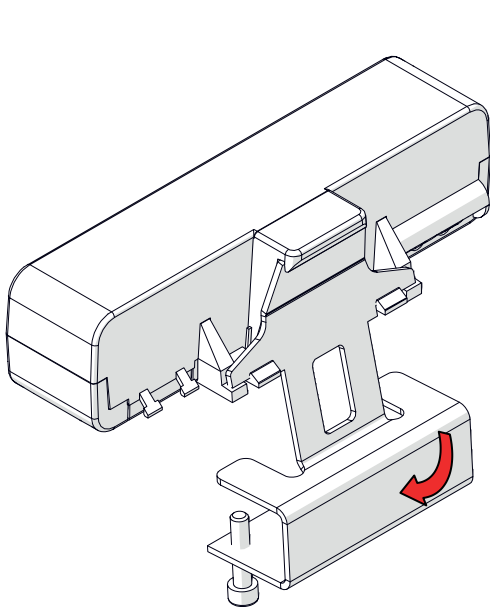


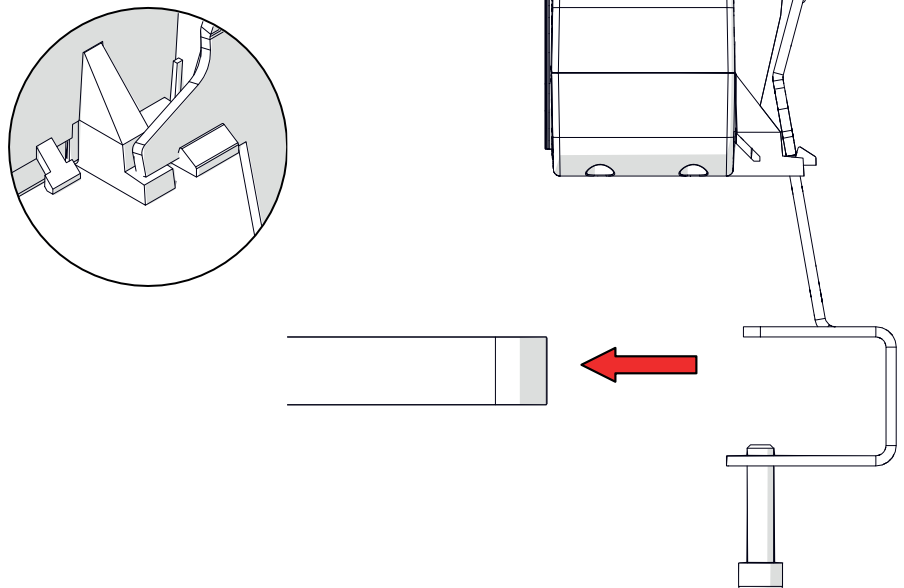
1 Align bracket with PULSE.



2 Pivot the bracket towards PULSE until you hear a click.

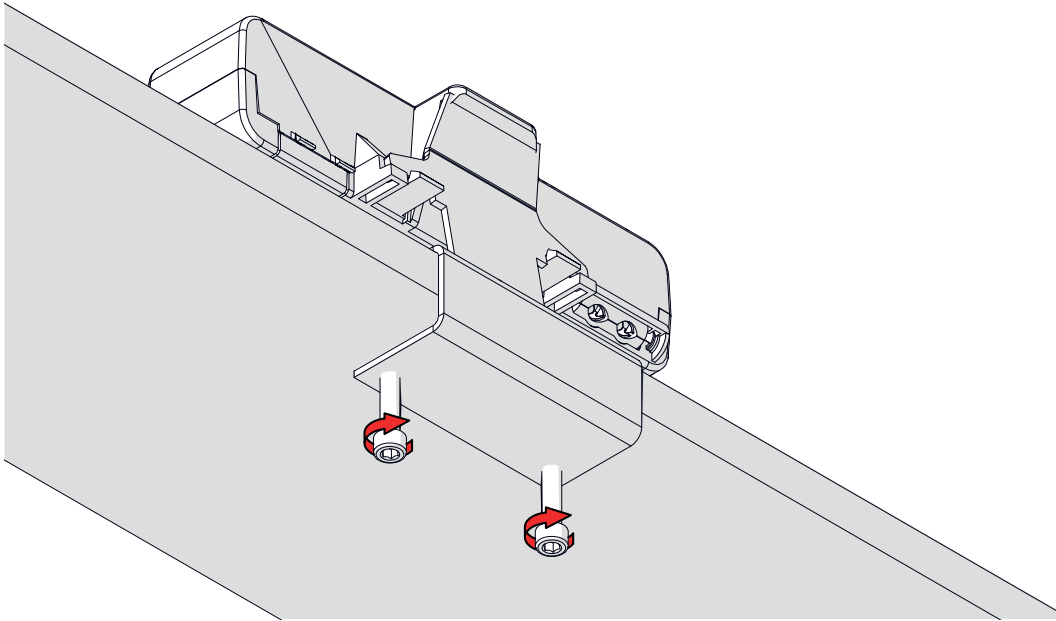


3



4 Tighten fixing bolts.

 **CAUTION** Do not overtighten



5

