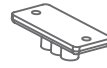


## Cable Snake Kit Contents CHANNEL TO DESK



1x Easy-Desk-28  
2x Screws

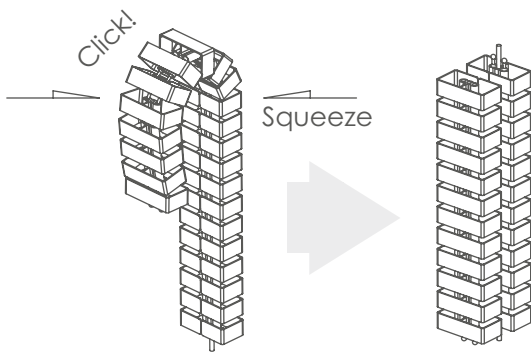


1x 1.0m Cube MX String  
(34x Chain Links)



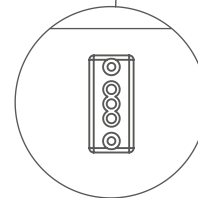
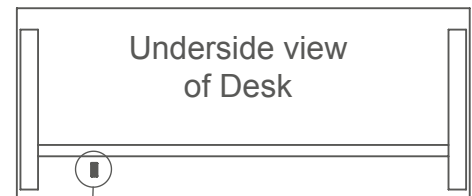
1x E-Mag-MX

### Shortening Chain links



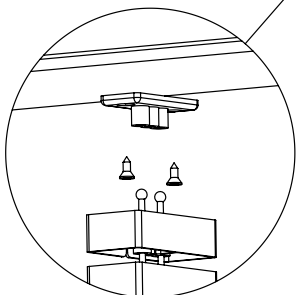
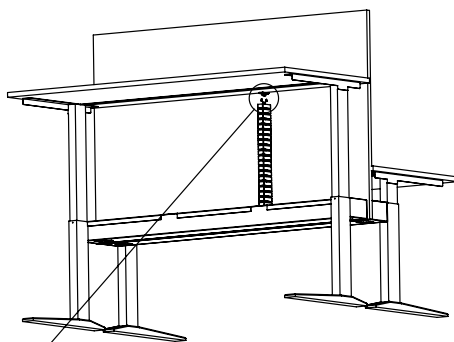
Determine required length. Roll Chain Links over itself and squeeze together. Chains links will separate.

### 1 Channel to Desk Installation



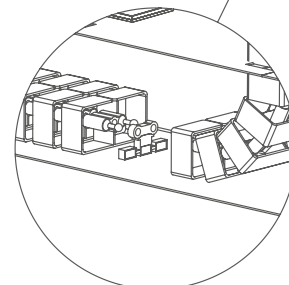
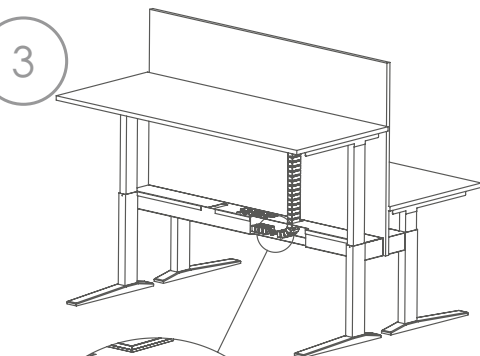
Choose the location of the Easy-Desk-2B on the underside of the Desk. Ensure the Chain Links are straight and locate over an opening in the channel cover plate (if present).

### 2



Fix the Easy-Desk-2B with the 2x screws provided. Once secure, insert the pins of the Cable-Snake Chain Link into the Easy-Desk-2B. Force may be required to engage the pins into bracket.

### 3



Position Chain Link into desk channel. Use E-Mag-MX to secure Chain Link into channel. Desk Channel cut away for clarity.

Note: Magnets will not stick to aluminium components.