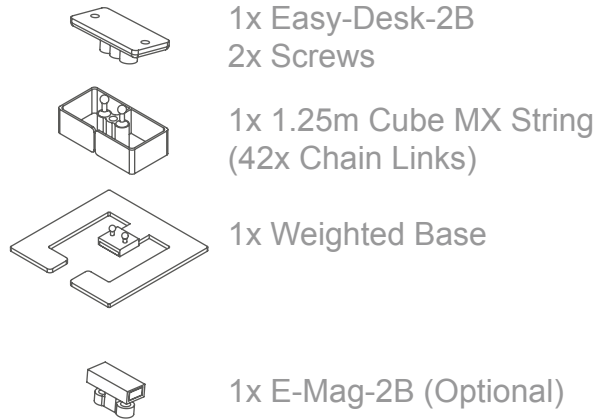
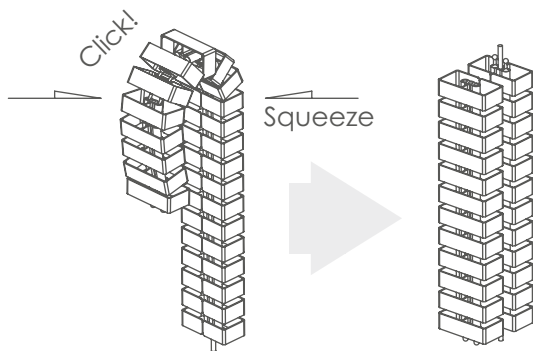


Cable Snake Kit Contents CUBE MX FREESTANDING



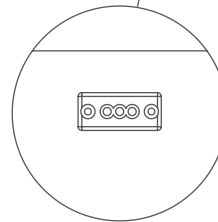
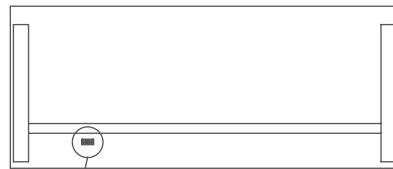
Shortening Chain links



Determine required length. Roll Chain Links over itself and squeeze together. Chains links will separate.

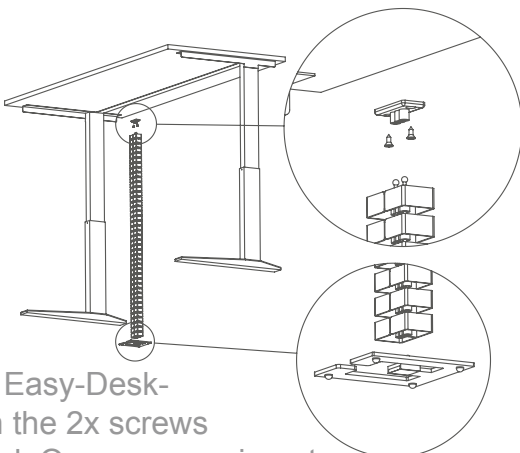
1

Cube MX Freestanding Installation



Choose the location of the Easy-Desk-2B on the underside of the Desk. Please take note where the cables are located on the desk and where the connection is originating from.

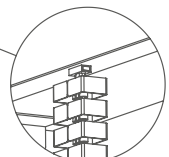
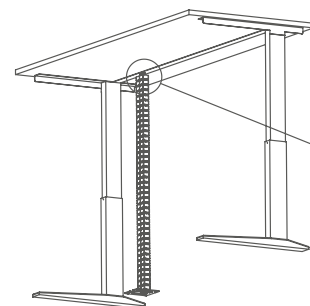
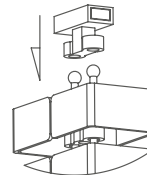
2



Fix the Easy-Desk-2B with the 2x screws provided. Once secure, insert the pins of the Cable Snake Chain Link in the Easy-Desk-2B. Force may be required to engage the pins into the bracket. Apply the same technique to assemble the Easy-Floor.

3

Optional Magnet installation with E-Mag-2B



Assemble the E-Mag-2B onto the 2x Pins of the Cable-Snake Chain Link.

Locate a horizontal metal section of the desk frame where the magnet can be attached. To test the strength of the attachment, pull the assembly straight down. If the attachment of the magnet is not secure, test another location along the metal frame and repeat the test.

Note: Magnets will not stick to aluminium components.