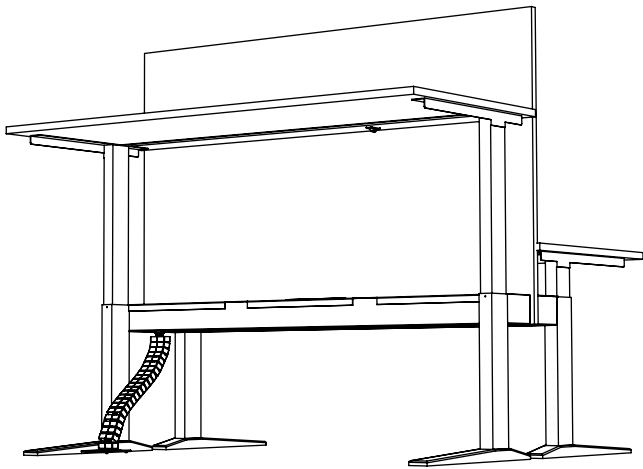
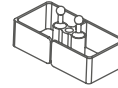


Cable Snake Kit Contents FLOOR TO CHANNEL



1x Gecko

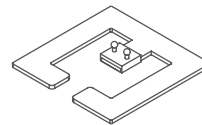


1x 0.5m Cube MX String
(17x Chain Links)



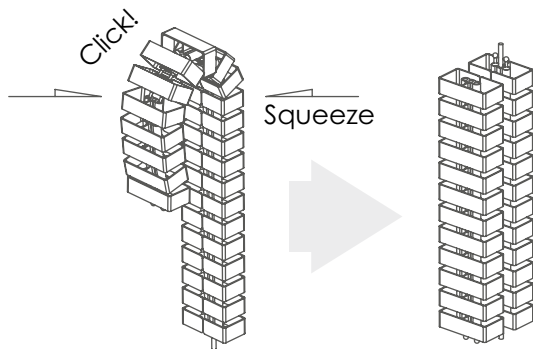
1x Floor Clip

OR



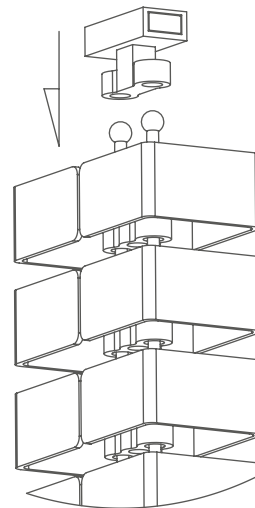
1x Weighted Base

Shortening Chain links



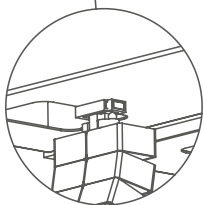
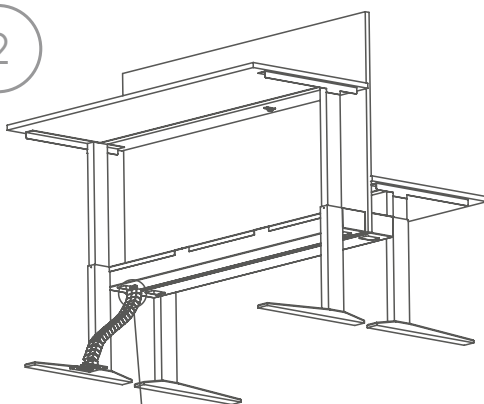
Determine required length. Roll Chain Links over itself and squeeze together. Chains links will separate.

1 Floor to Channel Installation



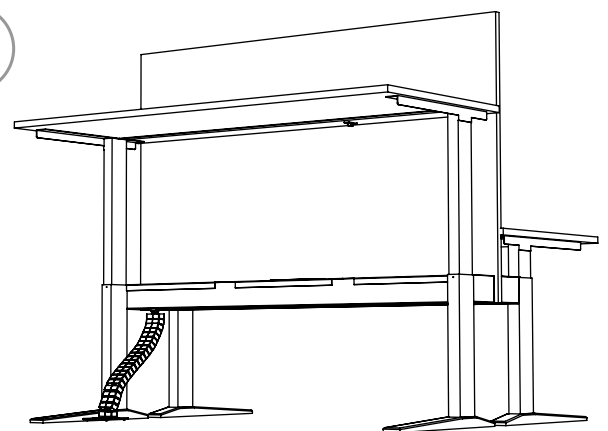
Assemble the E-Mag-2B onto the 2 x Pins of the Cable Snake Chain Link. Click the 2 pins of the Easy-Floor into the opposite (female) end of the Cable Snake Chain Link.

2



Locate the magnet to the underside of the channel near the opening where the cables enter / exit the channel.

3



Note: Magnets will not stick to aluminium components.