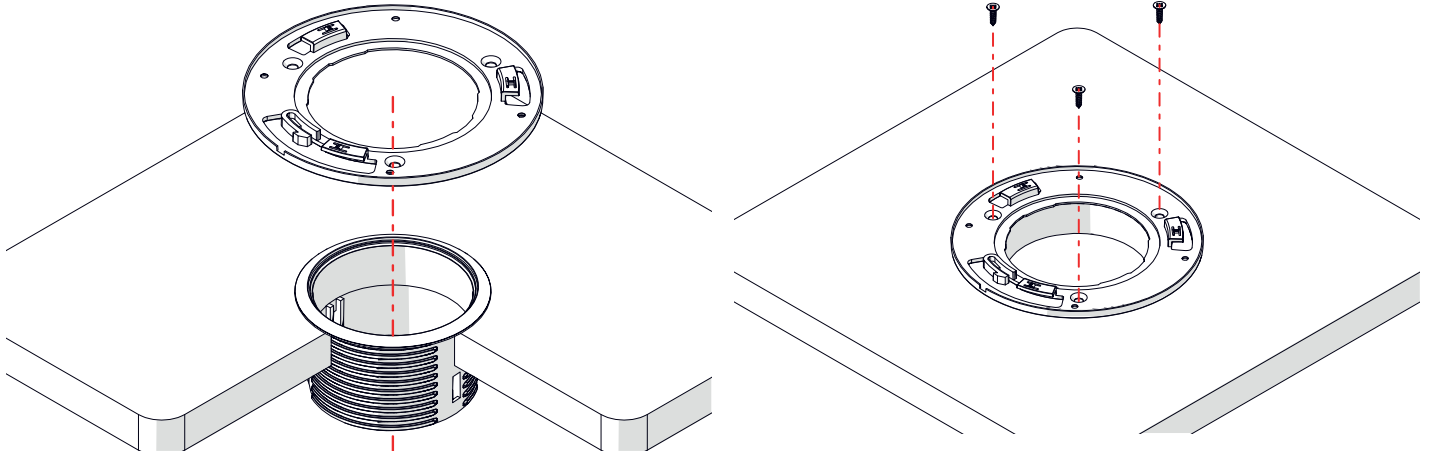
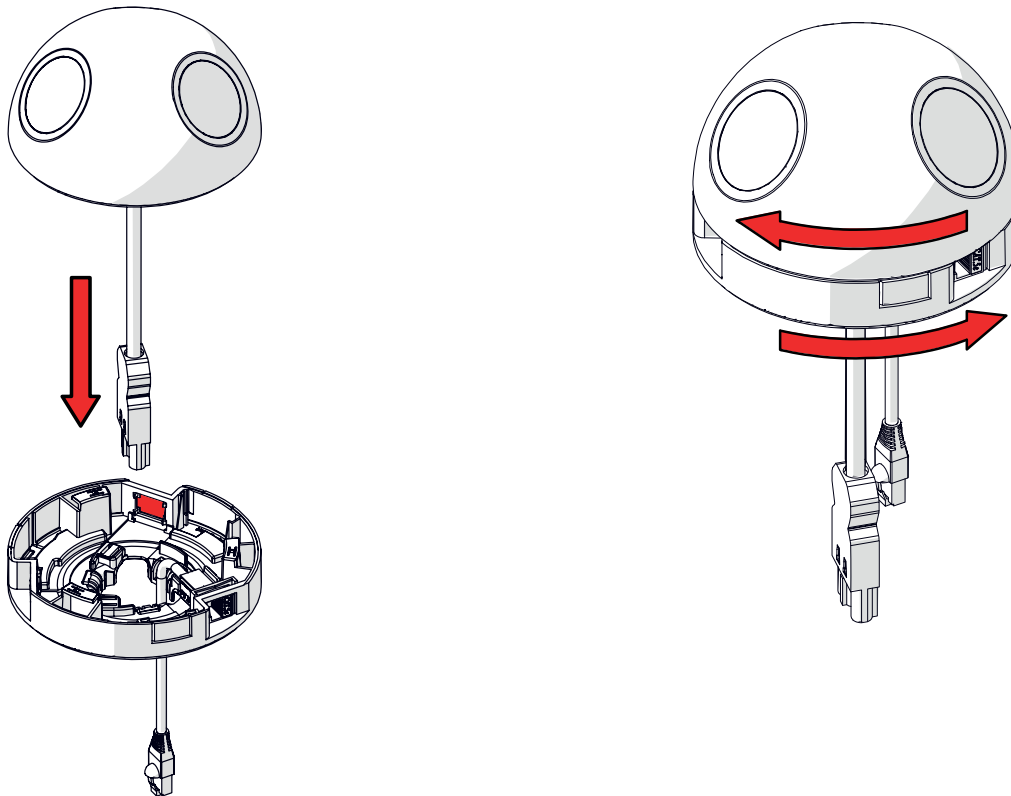


Data Cartridge

- 1 Either screw down or clamp mounting ring into the 80mm (3.15") hole.

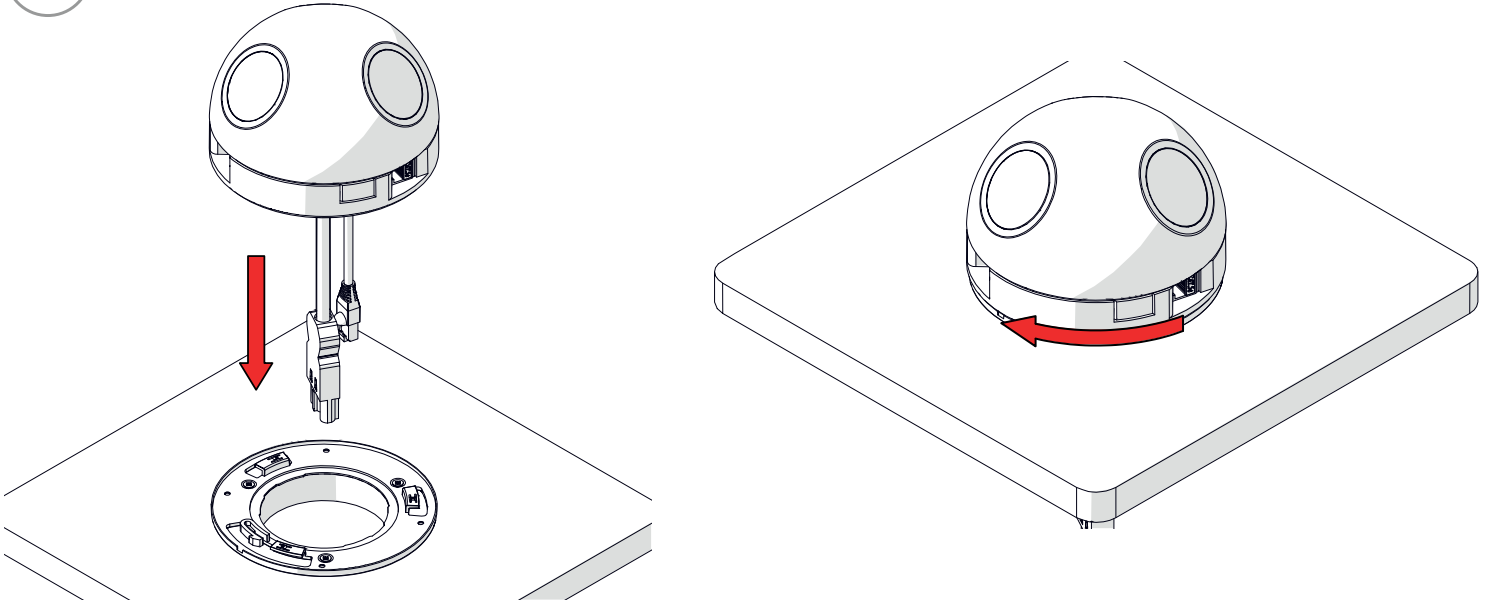


- 2 Install data into cartridge. Align PLUTO with data cartridge and twist into place.



Data Cartridge

- 3 Align PLUTO with the mounting ring and twist into place.



- 4

