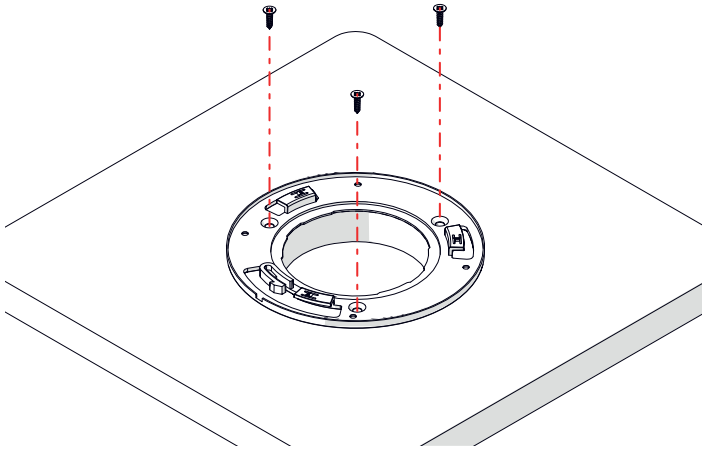
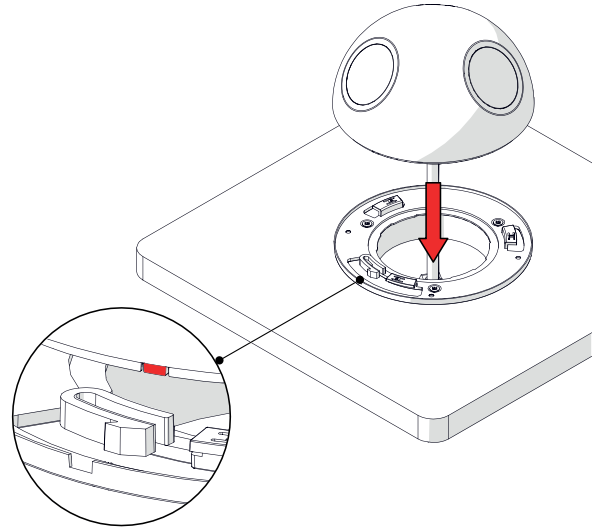


Bayonet fitting

- 1 Place mounting ring over 80mm (3.15") hole*. Screw in place.



- 2



*Minimum hole size required for GST wieland is 35mm, larger may be required for national plugs, hole size should be no larger than 80mm.

- 3 Twist PLUTO until you hear a click.

