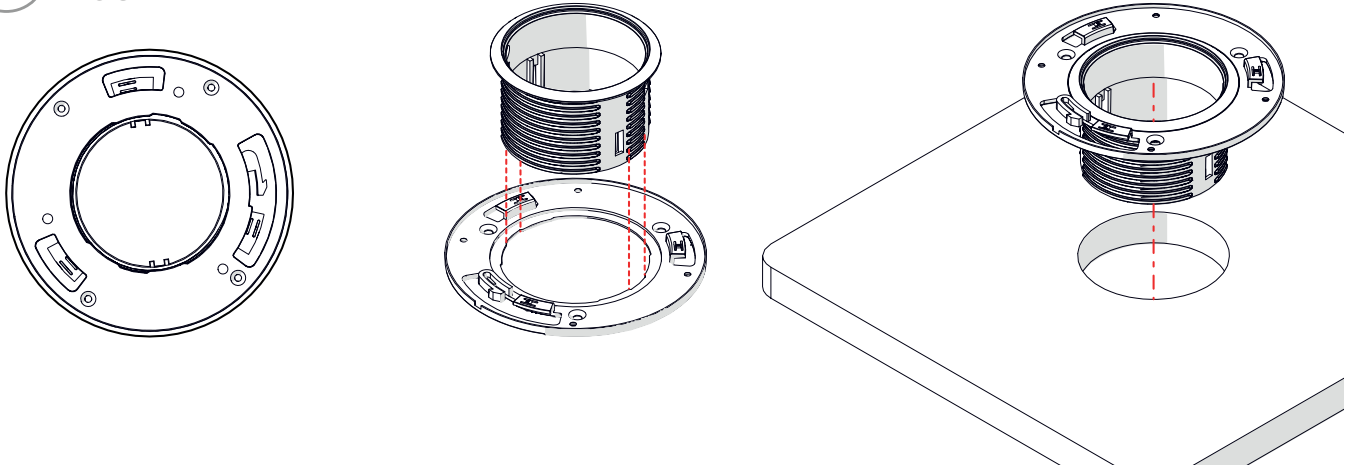
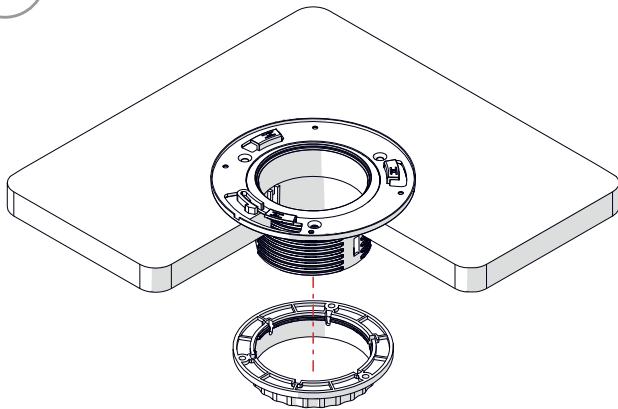


### Grommet fitting

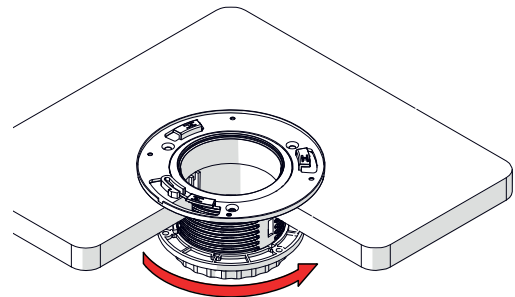
- 1 Align grommet with mounting ring and place grommet and mounting ring into the 80mm (3.15") hole.



- 2 Screw on retaining nut until firmly in place.



Optional Lock Screw



- 3
- 4 Twist PLUTO until you hear a click.

