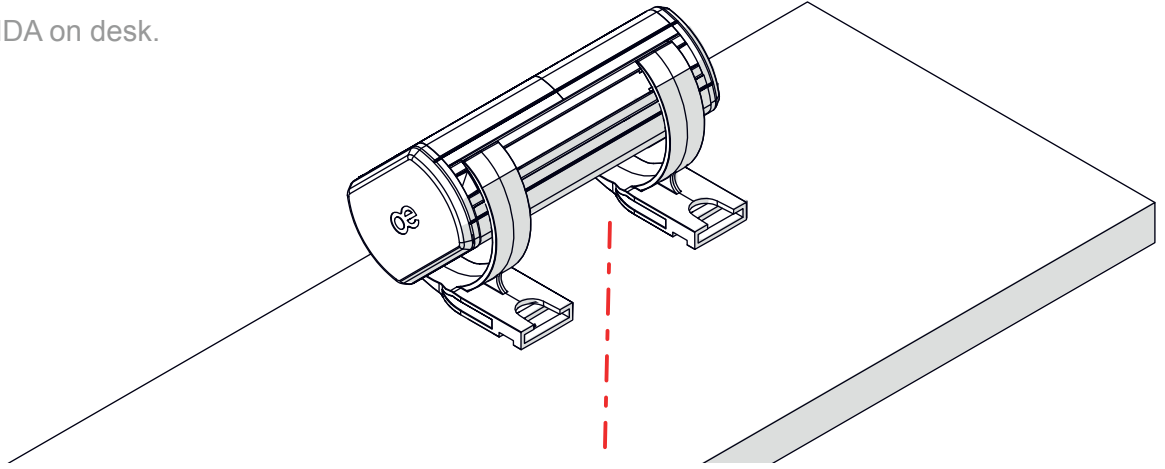
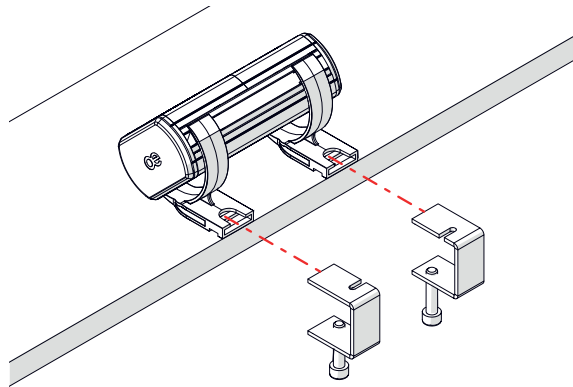


Clamp Bracket

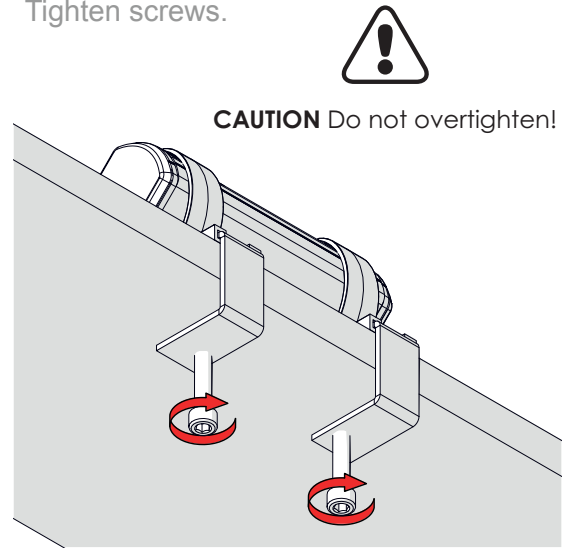
- 1 Place PANDA on desk.



- 2 Insert mounting brackets.



- 3 Tighten screws.



- 4

