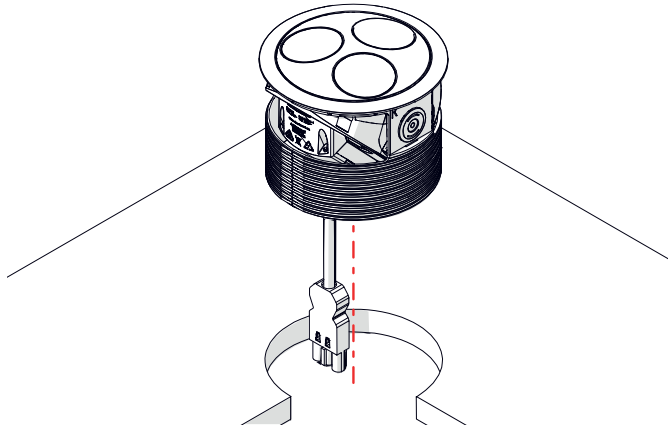
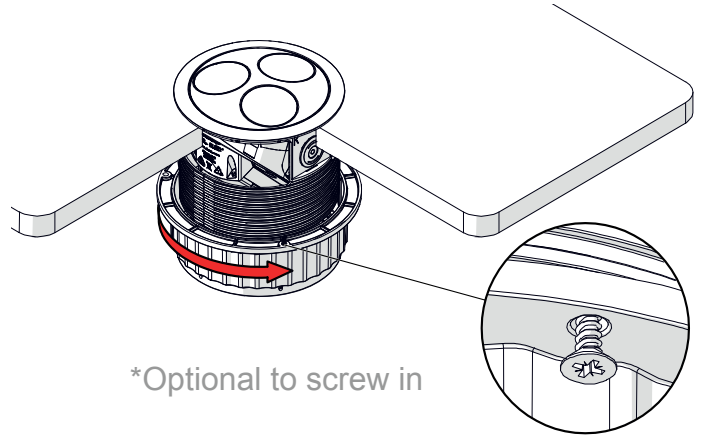


1 Feed cables through the 5" (127mm) hole.



2 Tighten the locking ring.



3

