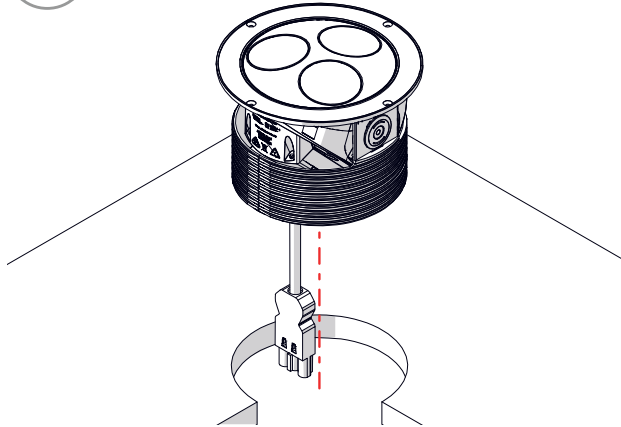
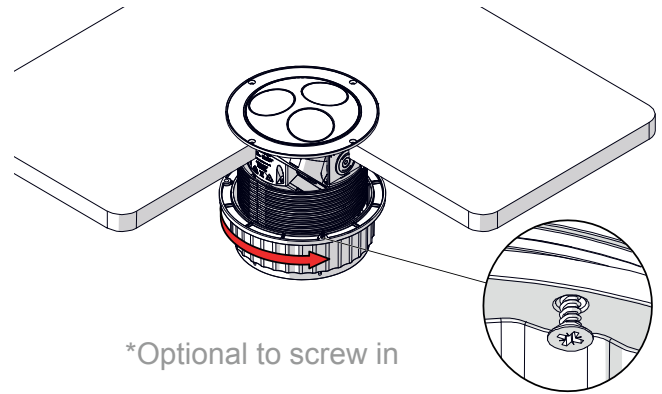


Access to underside is possible

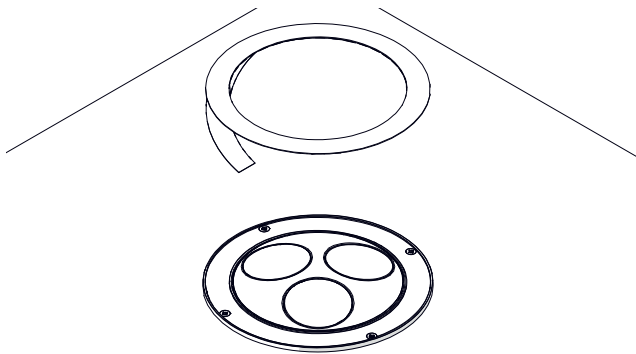
1 Feed cables through the 5" (127mm) hole.



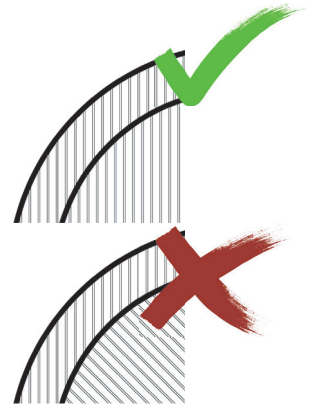
2 Tighten the locking ring.



3 Peel back tape cover and press firmly

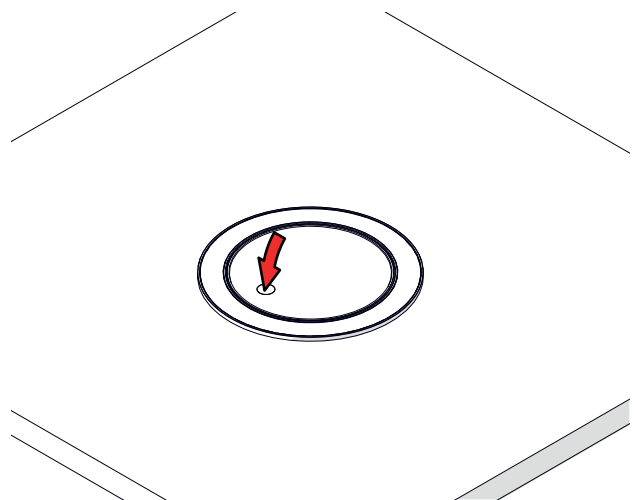
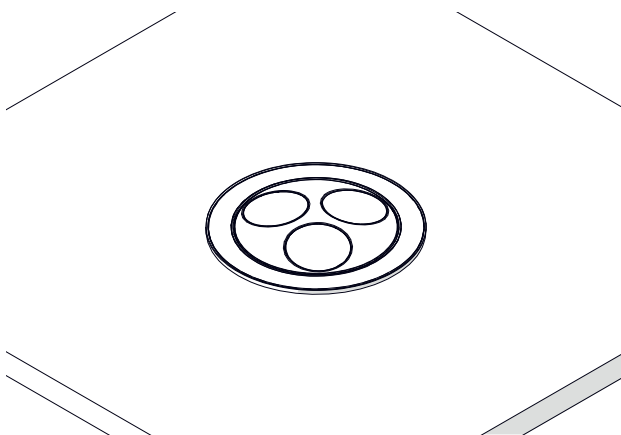


To fit the outer inlay, remove the VHB cover, align with the outer grommet, and then press down firmly.



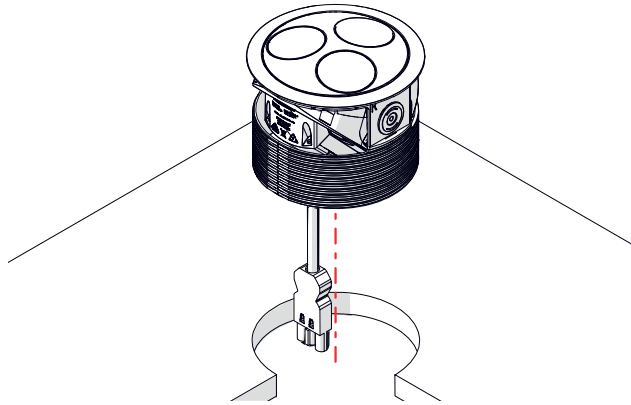
When fitting a brushed stainless steel outer inlay, ensure that the grain follows the direction of the grain on the inner inlay.

4 Press to rollover, press to close.

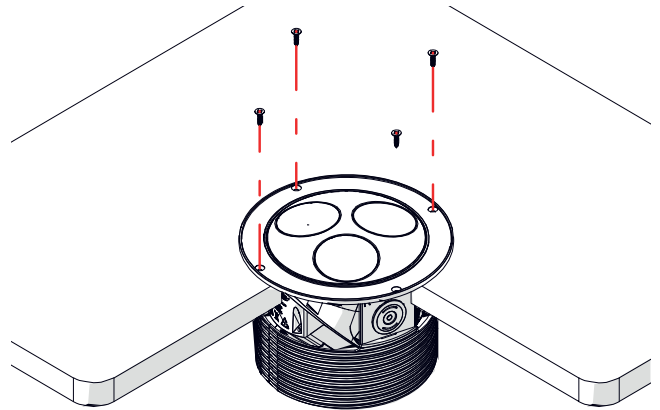


Access to underside *isn't* possible

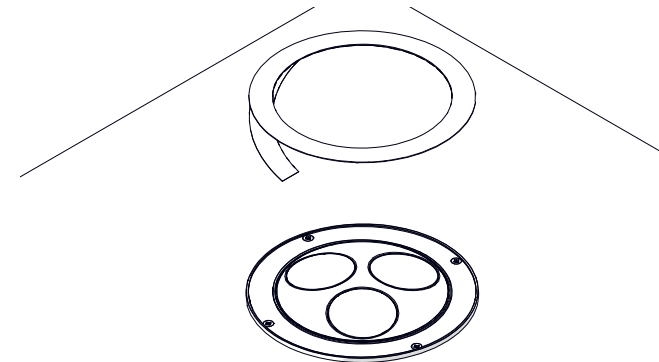
1 Feed cables through the 5" (127mm) hole.



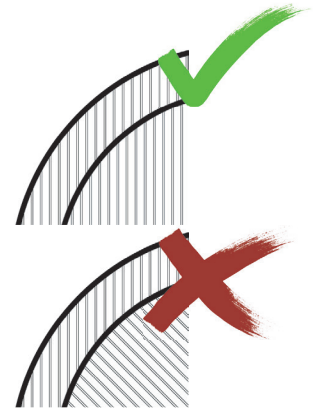
2 Screw in.



3 Peel back tape cover and press firmly.



To fit the outer inlay, remove the VHB cover, align with the outer grommet, and then press down firmly.



When fitting a brushed stainless steel outer inlay, ensure that the grain follows the direction of the grain on the inner inlay.

4 Press to rollover, press to close.

