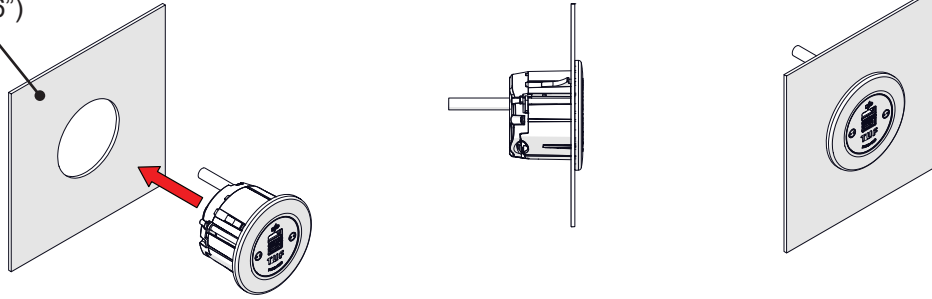


For panel thickness 1-3mm (0.04-0.12") rear or side exit

- 1 Fit PIP into cutout. Press firmly until click.

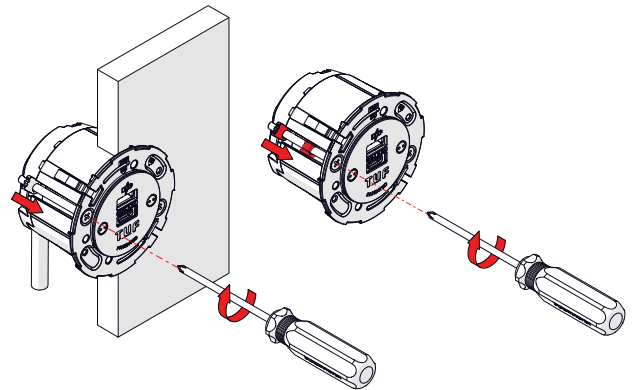
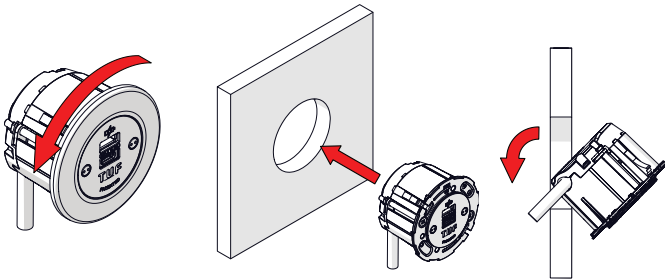
60mm
(2.36")



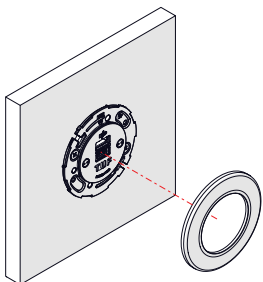
This method can be used for bezel and inlay options. See Pg. 3 for extra steps.

For panel thickness 1-15mm (0.04-0.59") rear or side exit

- 1 Unclip bezel. Place PIP into cutout at an angle.
- 2 Turn screw clamp to required depth.

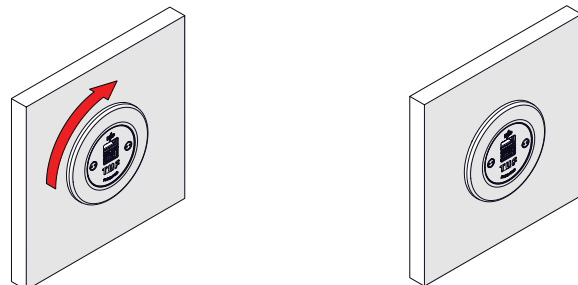


- 3 Align bezel to PIP, ensuring bezel is flush with central fascia



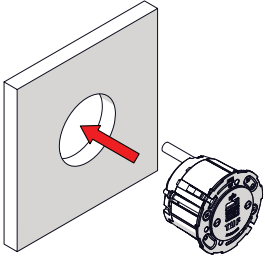
This method can be used for bezel and inlay options. See Pg. 3 for extra steps.

- 4 Turn bezel until click.

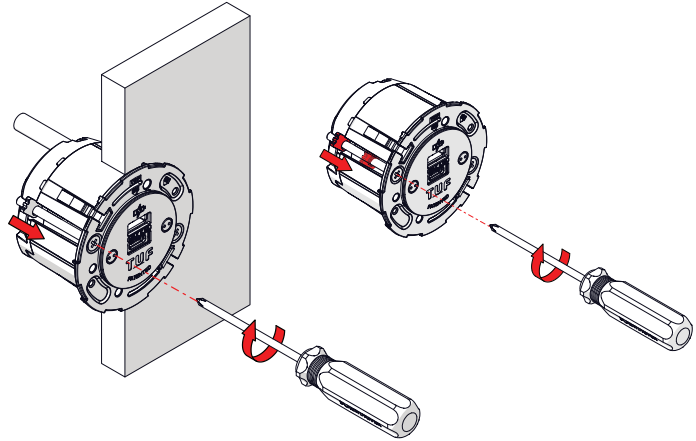


For panel thickness 15-30mm (0.59-1.18") rear exit only

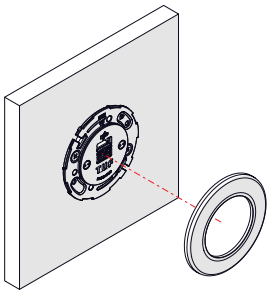
- 1 Unclip bezel.
Place PIP into cutout at an angle.



- 2 Turn screw clamp to required depth.

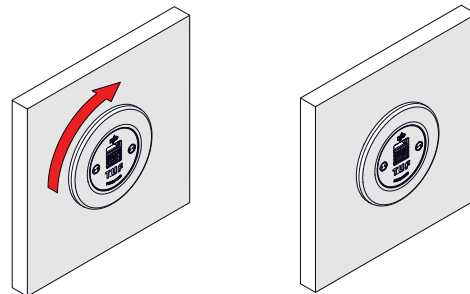


- 3 Align bezel to PIP, ensuring bezel is flush with central fascia



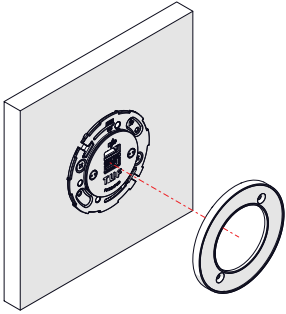
This method
can be used for
bezel and inlay
options. See Pg.
3 for extra steps.

- 4 Turn bezel until click.

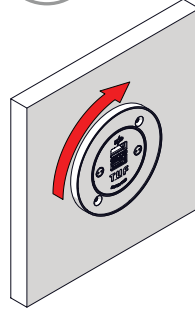


Inlay bezel

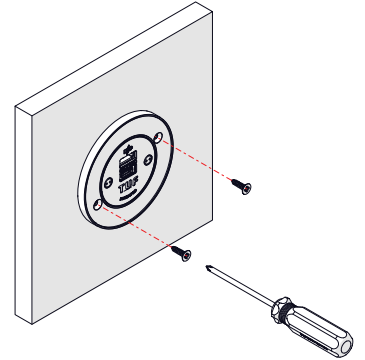
1 Place bezel onto PIP.



2 Turn bezel until click.



3 Screw into place.



4 Remove backing from inlay and place onto bezel.

