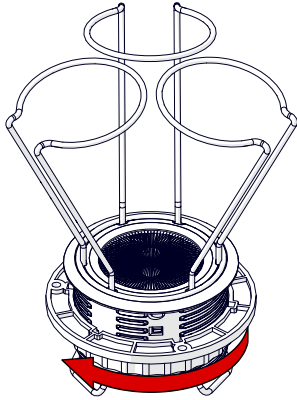
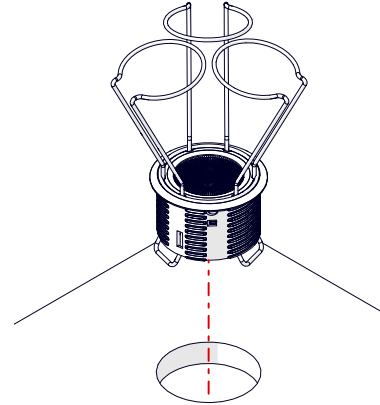


### Cradle

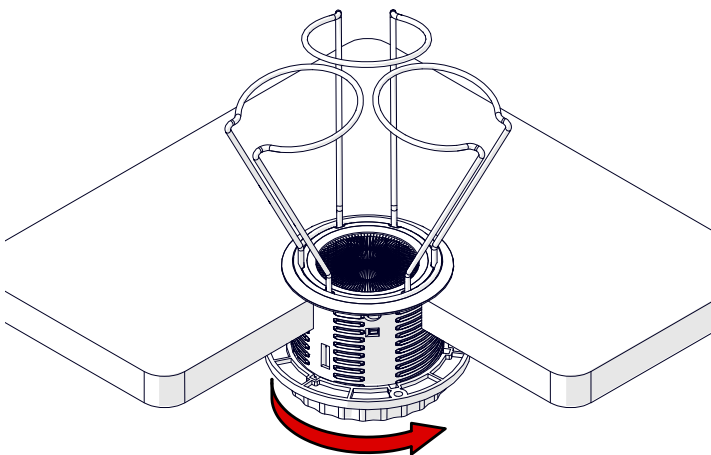
1 Remove fixing nut from cradle.



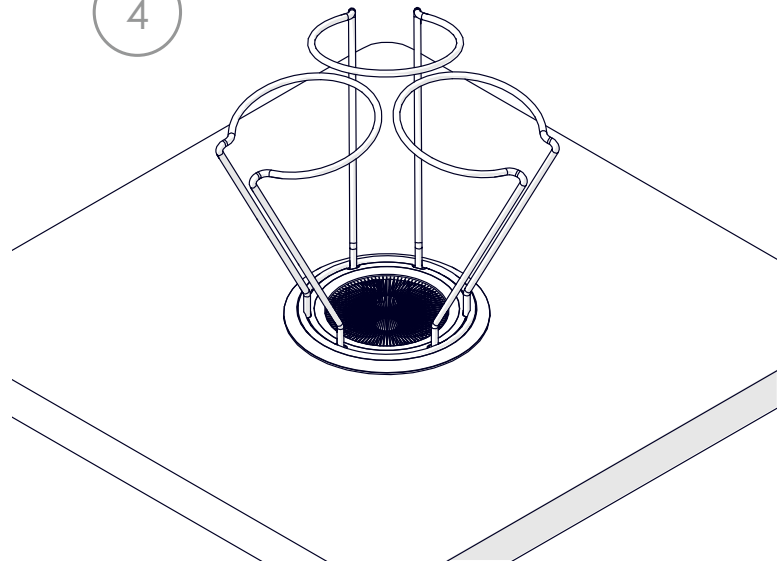
2 Place the cradle in 80mm (3.15") hole.



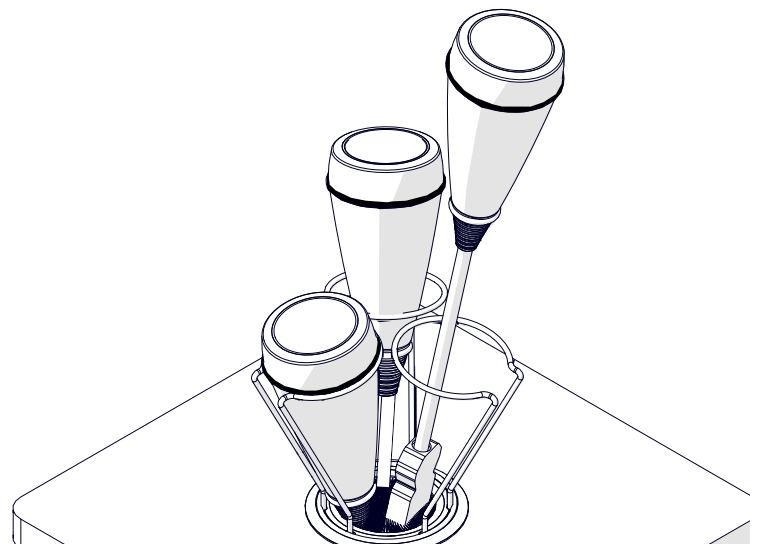
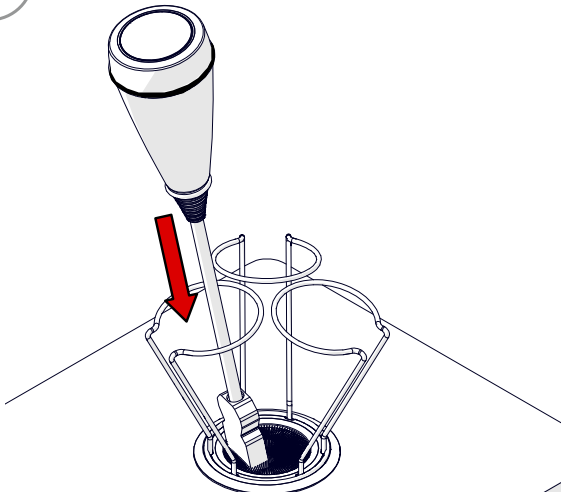
3 Screw on fixing nut.



4

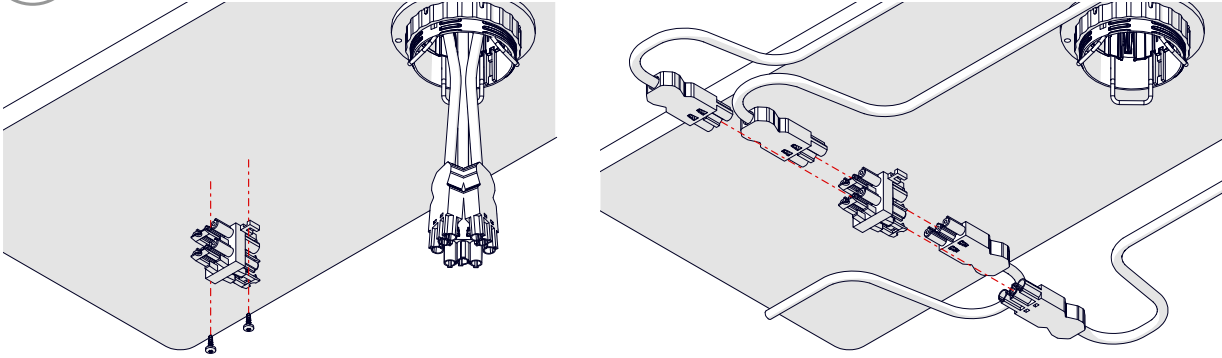


5 Place in cradle

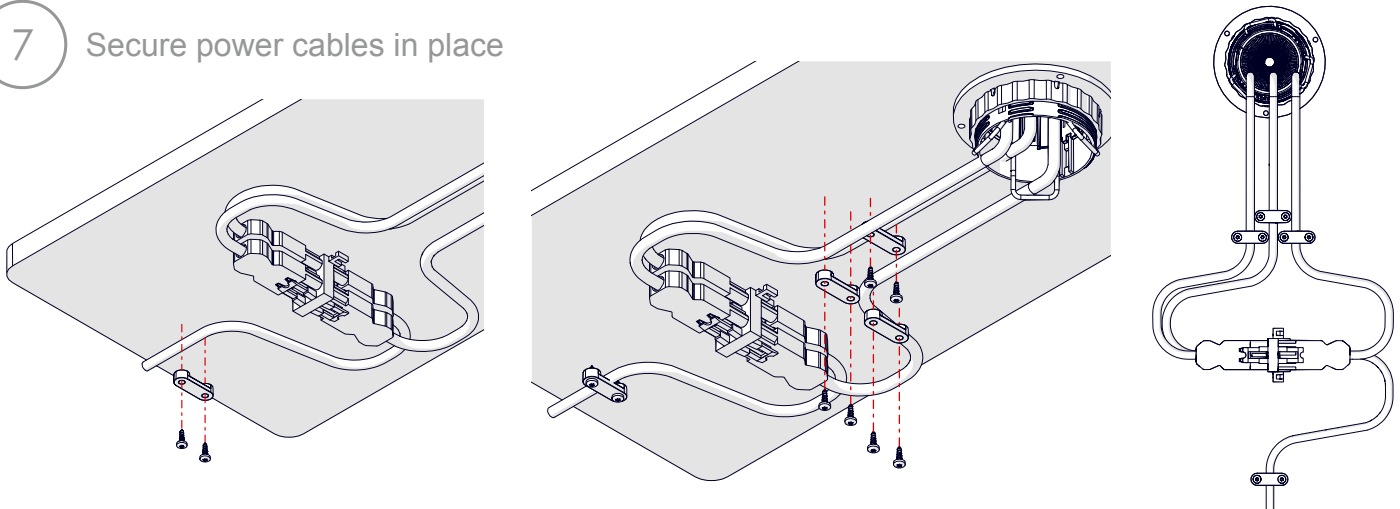


### Cradle

6 Fit GST block and cable into GST block



7 Secure power cables in place



8 Place into cradle

OR Remove the ring and clip into cradle

