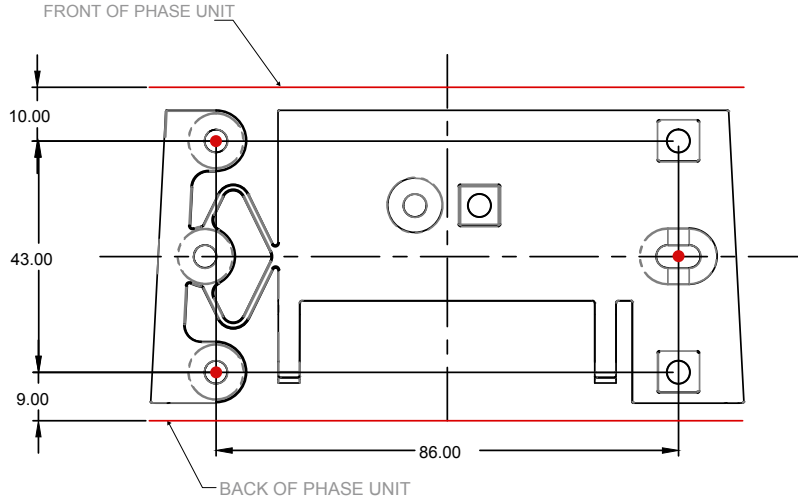
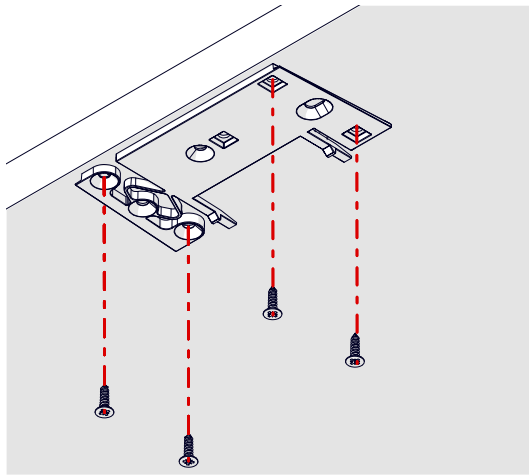


Under Surface

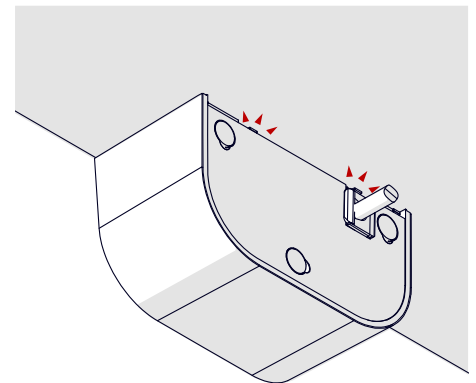
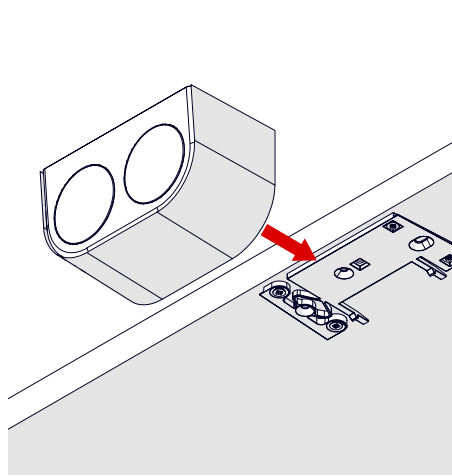
1 Dimensions & drill positions



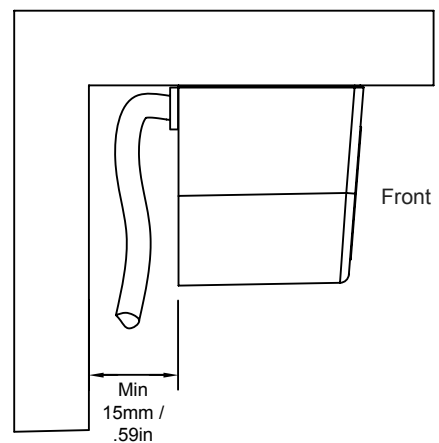
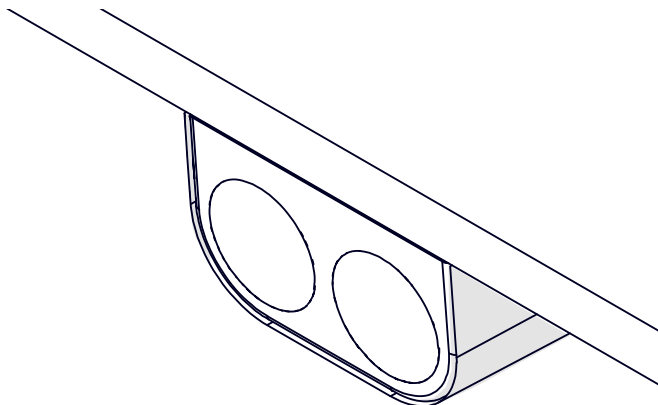
2 Screw clip to desk - set back, as required, from the desk edge



3 Align PHASE with clamp bracket and slide into a place until click is heard



4



Under Surface release clamp

1 Press release clips and slide off.

