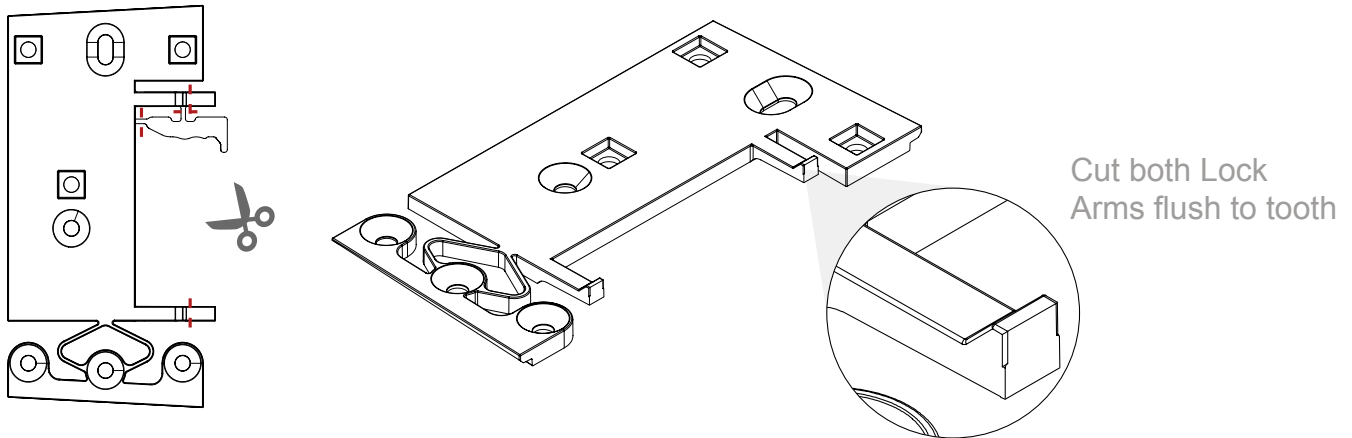
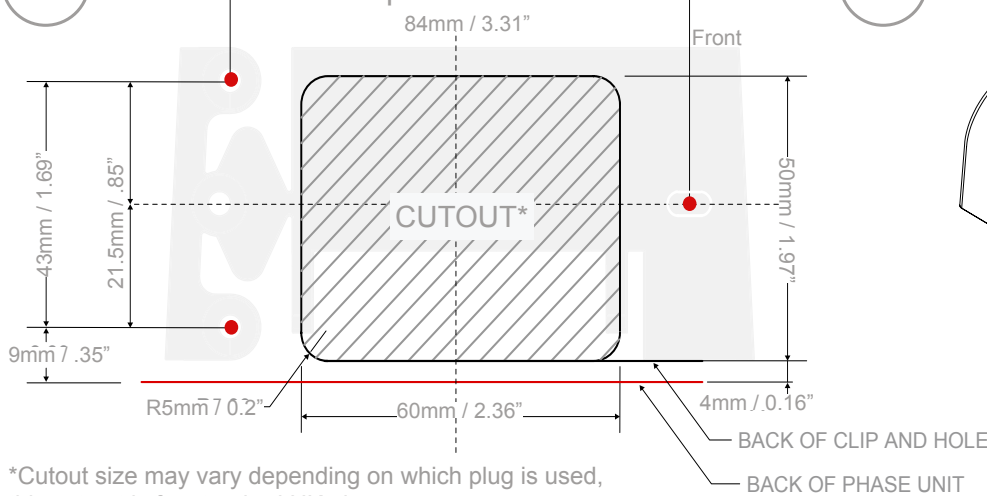


Base Entry

- 1 Separate and retain Locking Clip

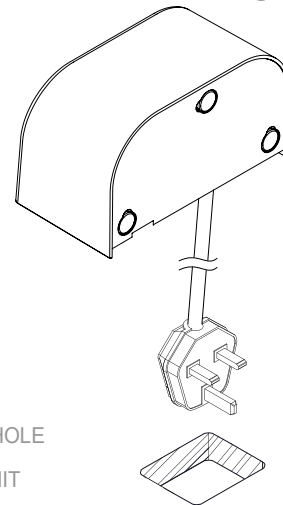


- 2 Desk cutout & drill positions as below.

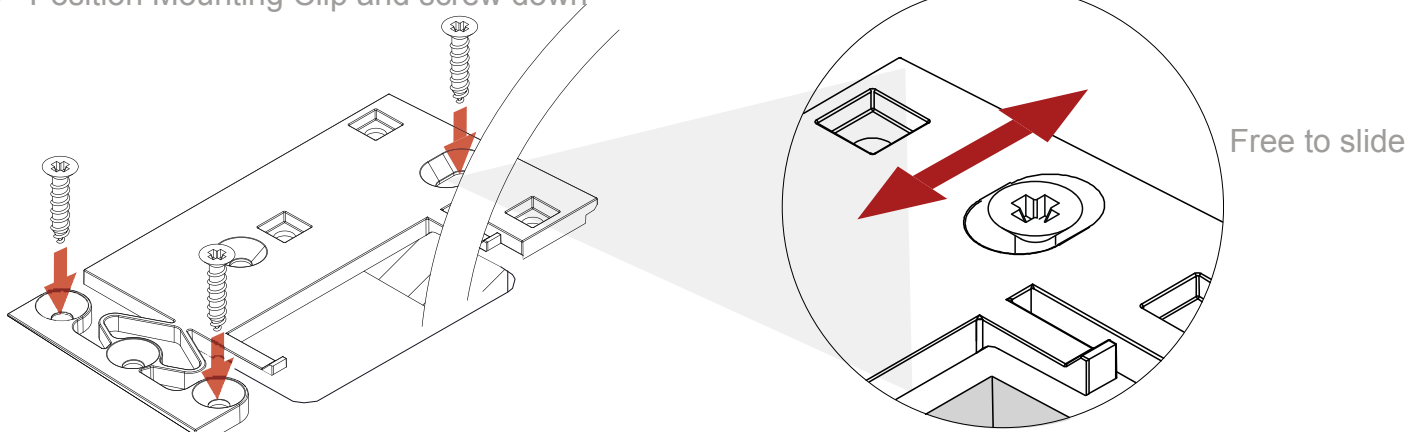


*Cutout size may vary depending on which plug is used, this cut out is for standard UK plug

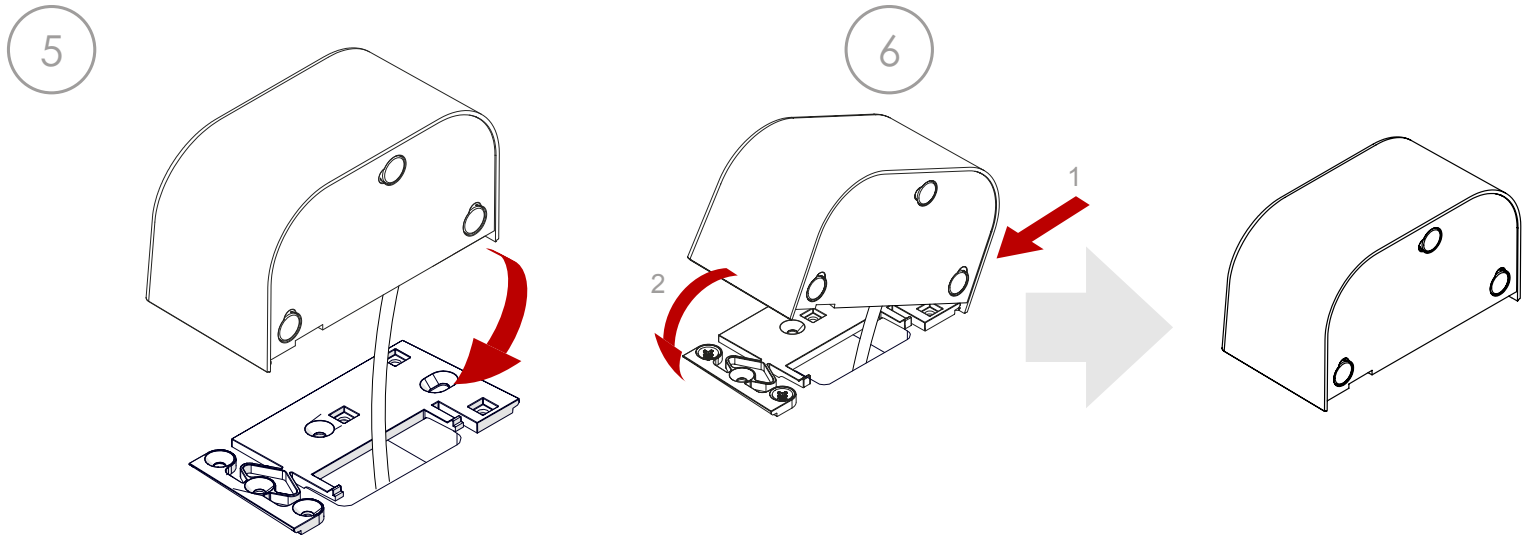
- 3 Feed cable through the cutout.



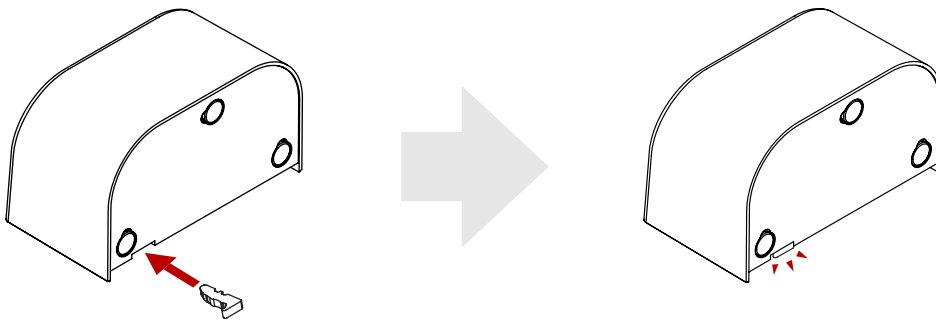
- 4 Position Mounting Clip and screw down



Base Entry



7 Insert Locking Clip



Base Entry release

