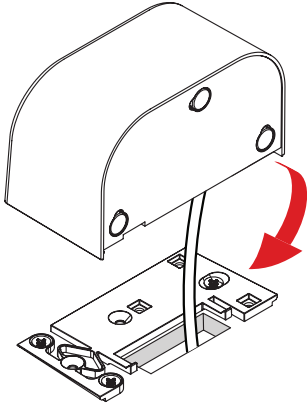
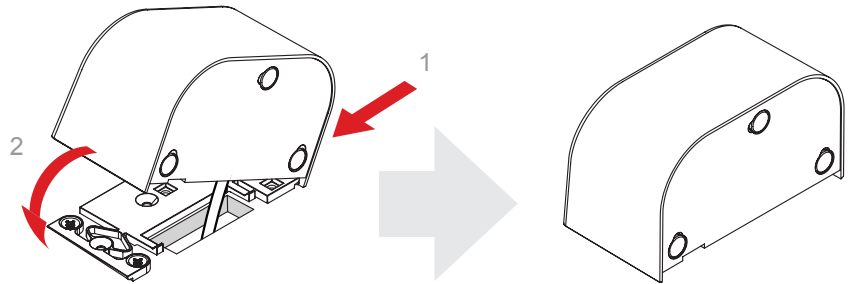


Base Entry

5

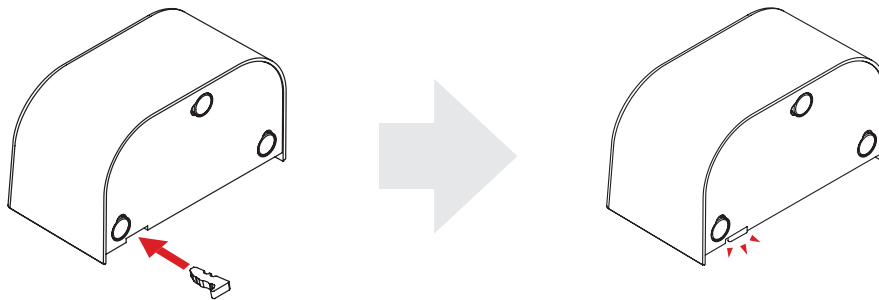


6



7

Insert Locking Clip



Base Entry release

1

Lever out clip with screwdriver

