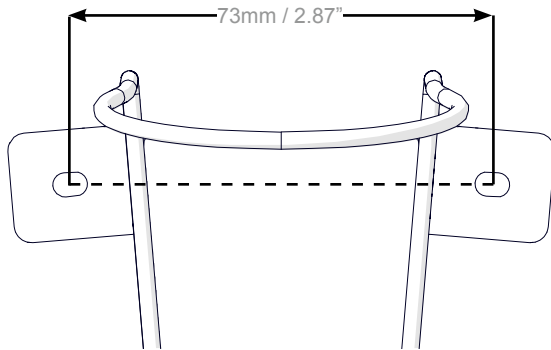
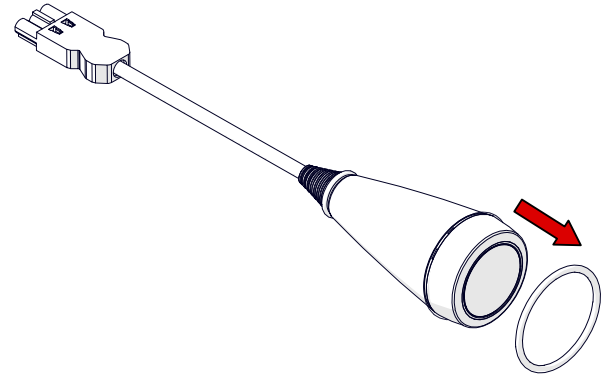


Under Surface

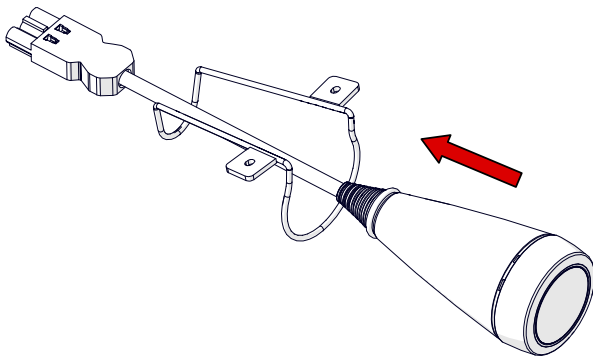
- 1 Distance of screws for cage



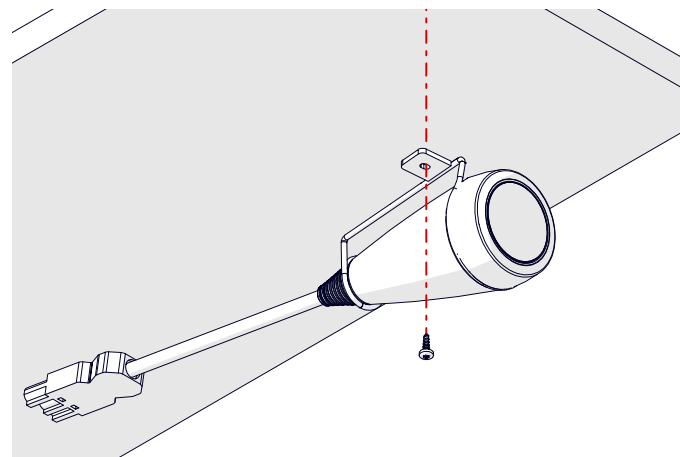
- 2 Remove the ring



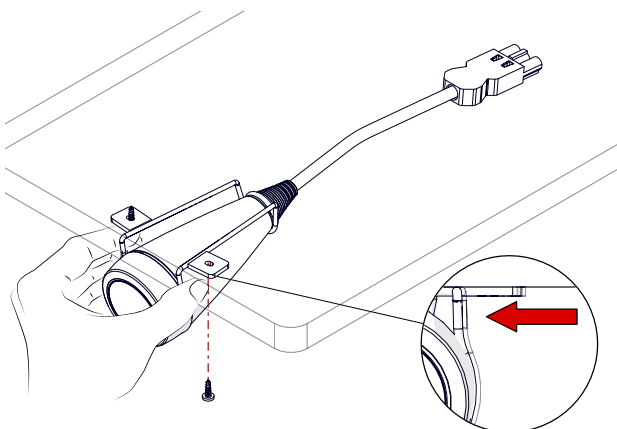
- 3 Slide into cage



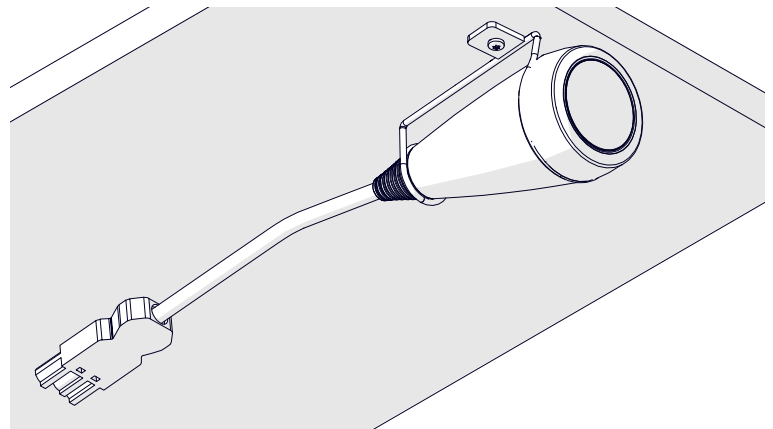
- 4 Fit one fixing screw



- 5 Squeeze cage and fit second screw

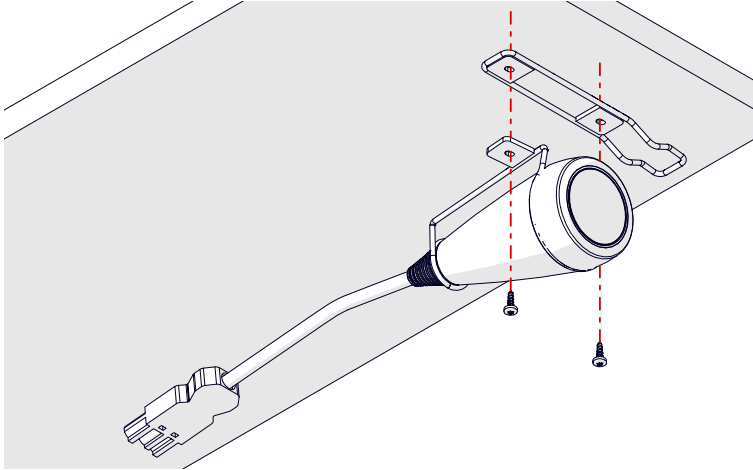


- 6



Cable Tidy

1 Screw in the cable tidy



2

