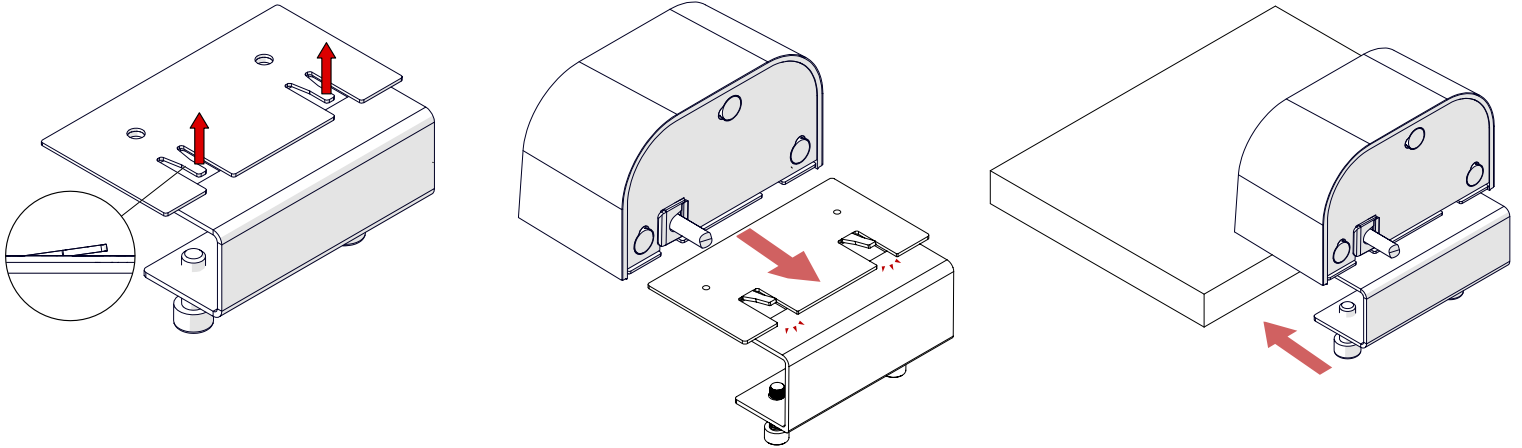



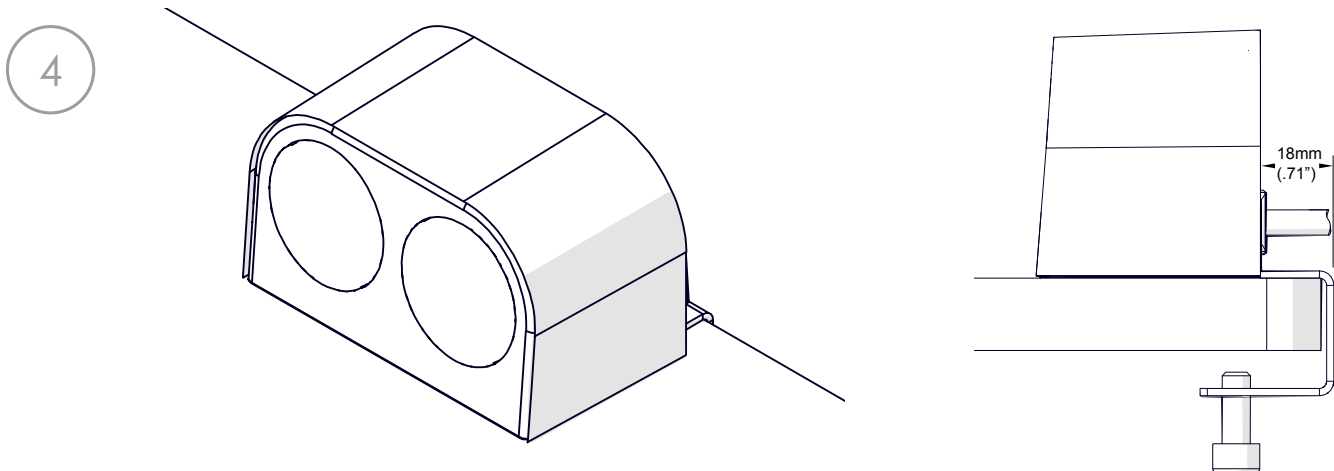
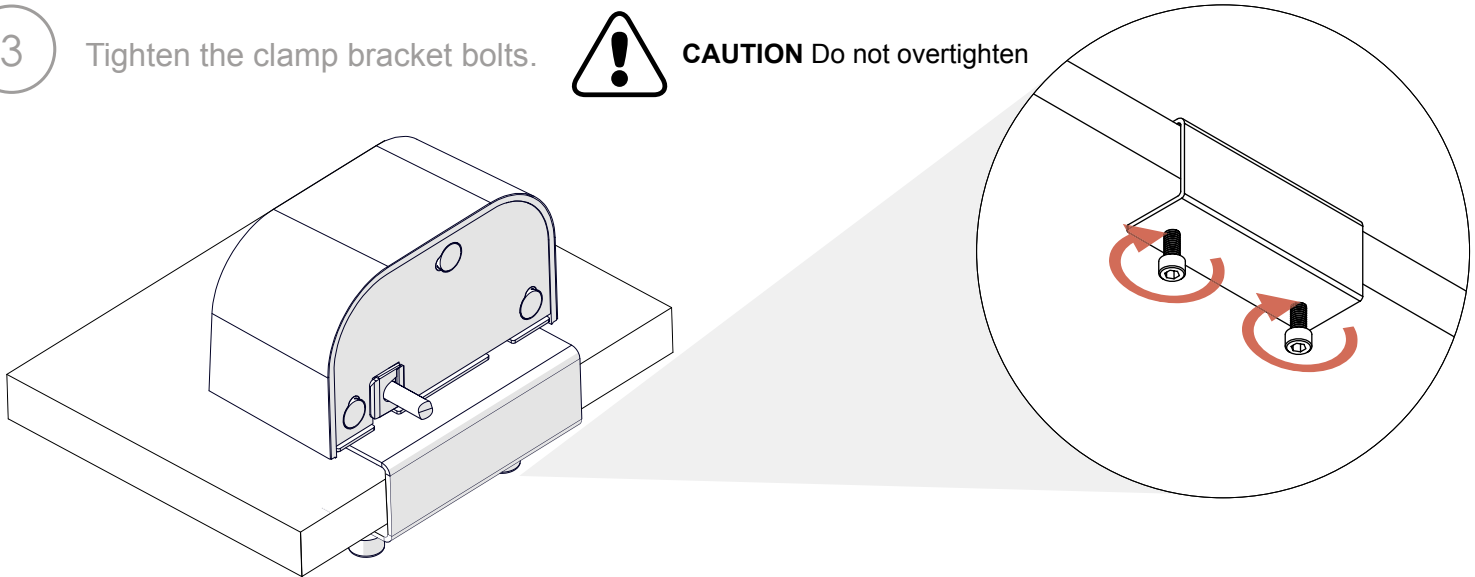
PHASE installation instructions

On Surface

- 1 Bend the metal tabs up slightly on clamp bracket
- 2 Slide onto clamp bracket until click heard
- 3 Slide PHASE and bracket onto surface



- 3 Tighten the clamp bracket bolts.  **CAUTION** Do not overtighten



On Surface release clamp

- 1 Pry up the retaining tab then slide off.

