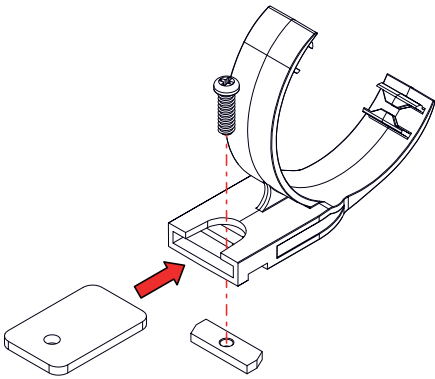
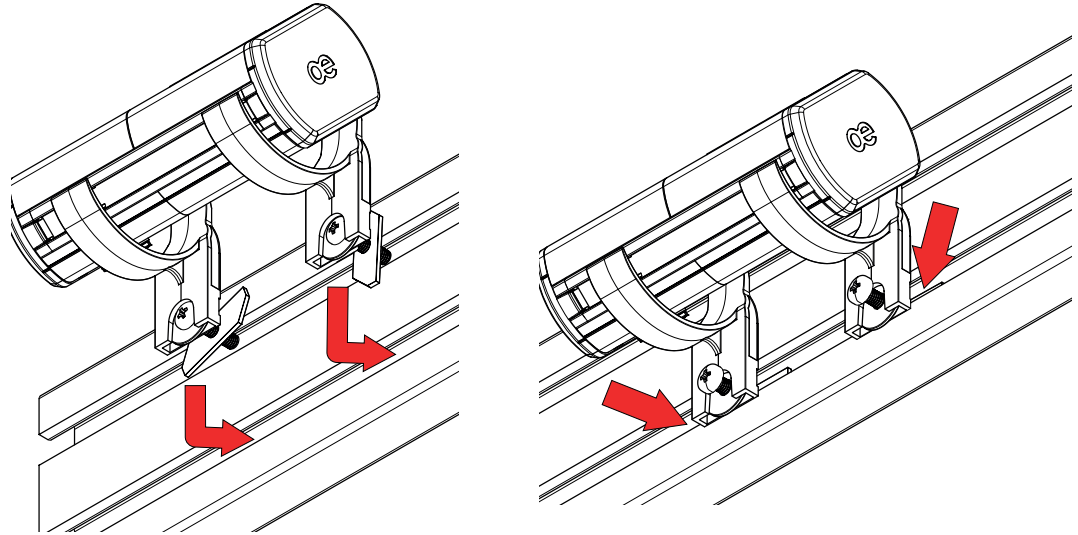


## Tool Rail

1 Insert the fittings and place onto the bracket.



2 Slot fittings into tool rail.



3 Tighten screws until unit is secure.

