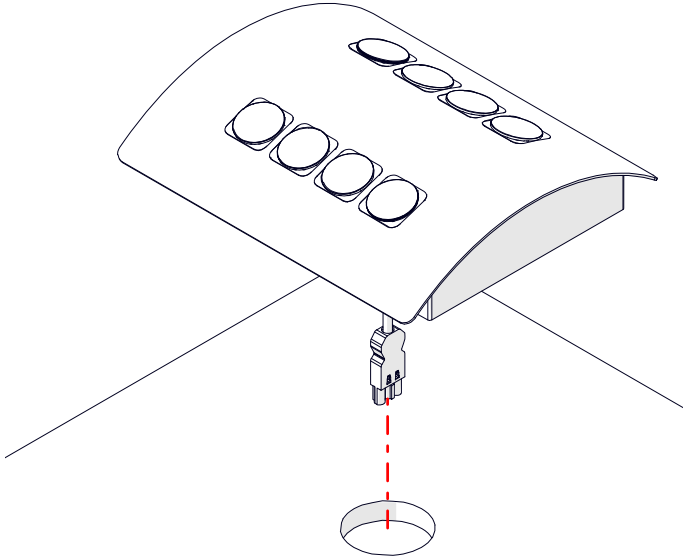
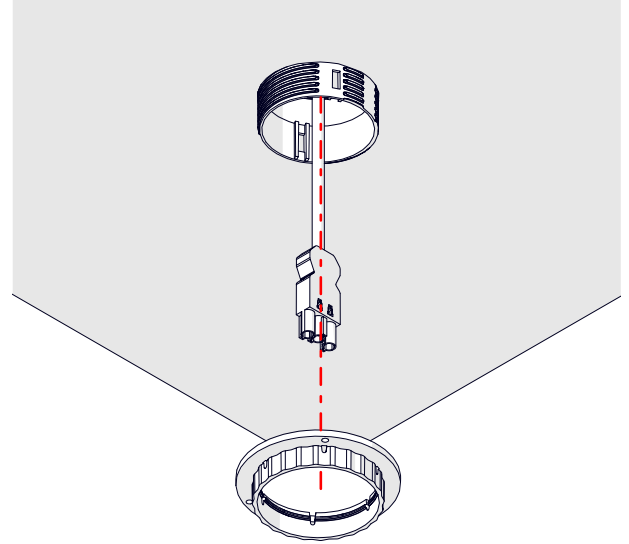


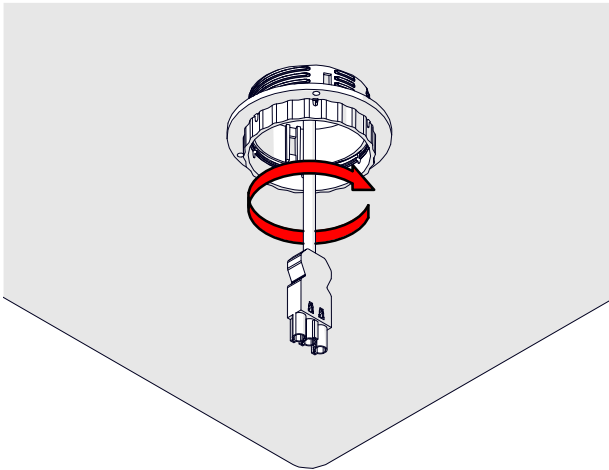
- 1 Place the grommet and cables into the 3.15" / 80mm hole.



- 2 Screw the nut onto the grommet.



3



4

