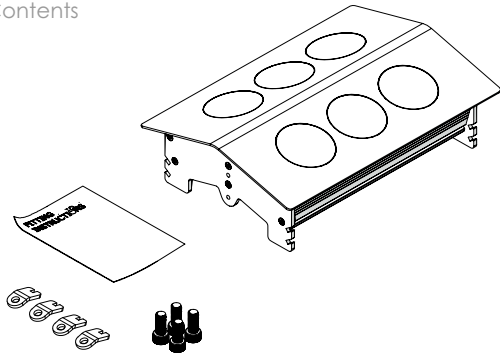
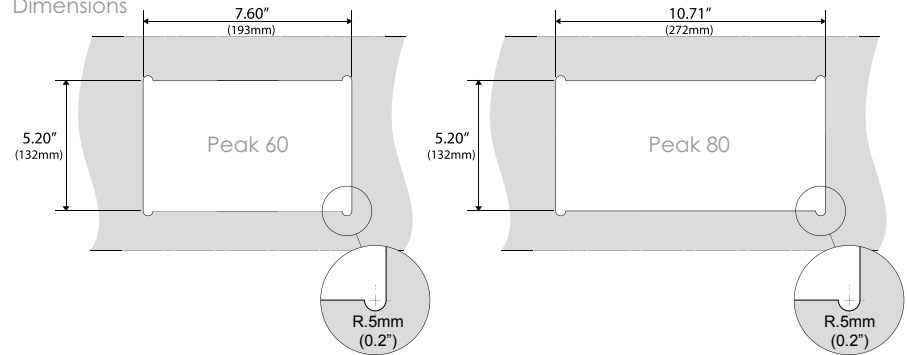


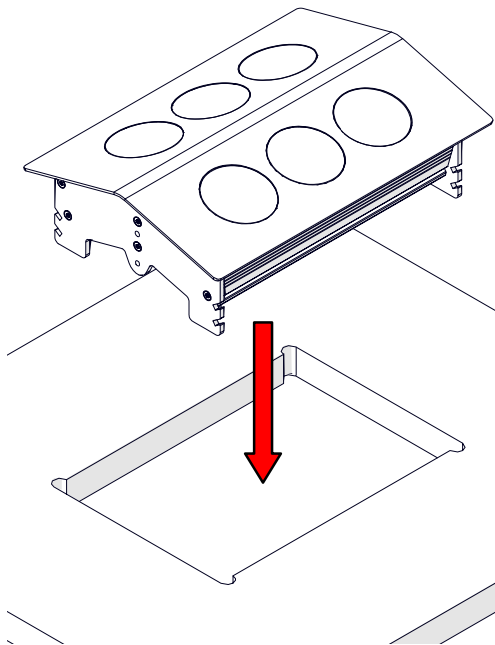
Contents



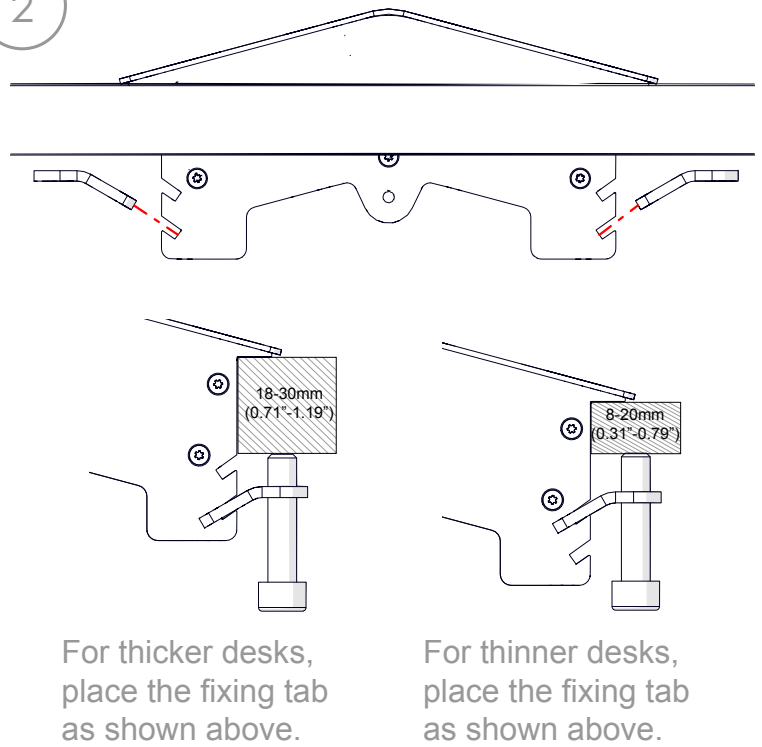
Dimensions



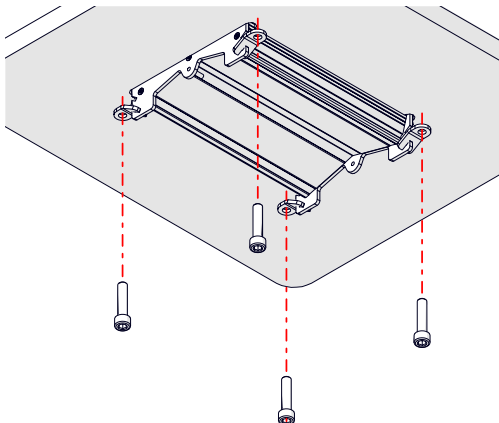
1 Place PEAK into the cutout.



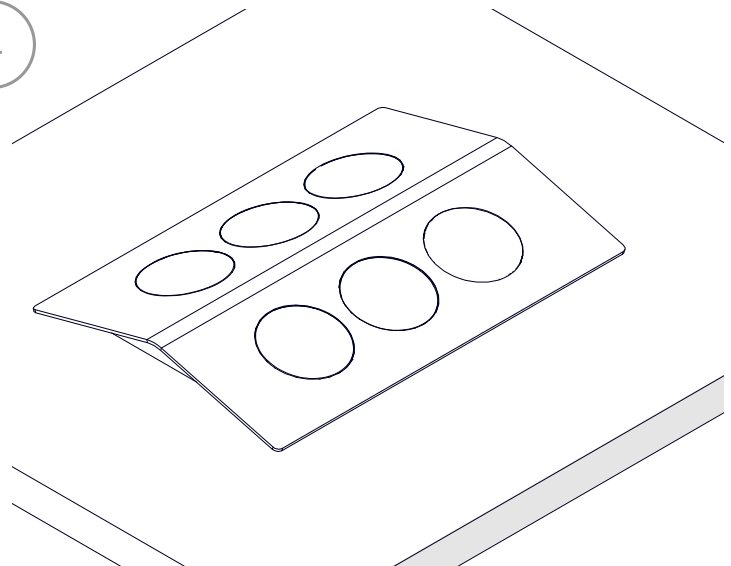
2



3 Insert the screws into the fixing tabs.



4



CAUTION Do not overtighten