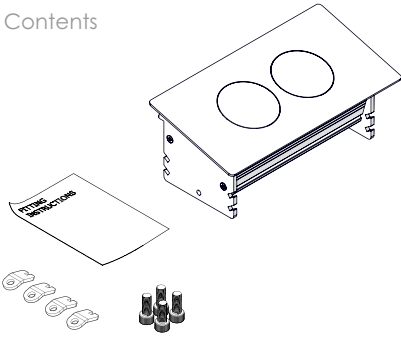
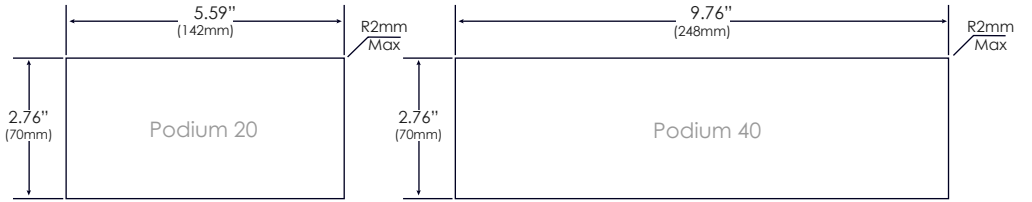


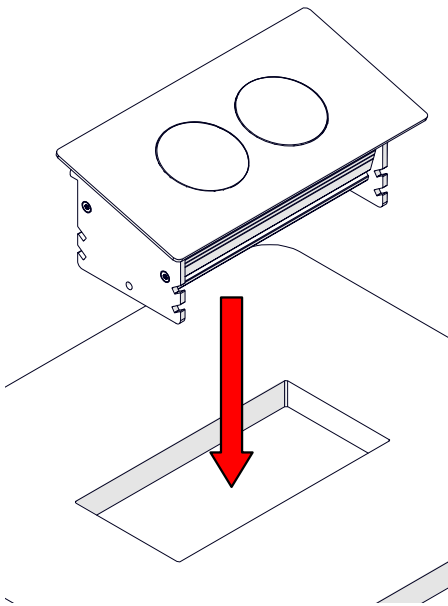
Contents



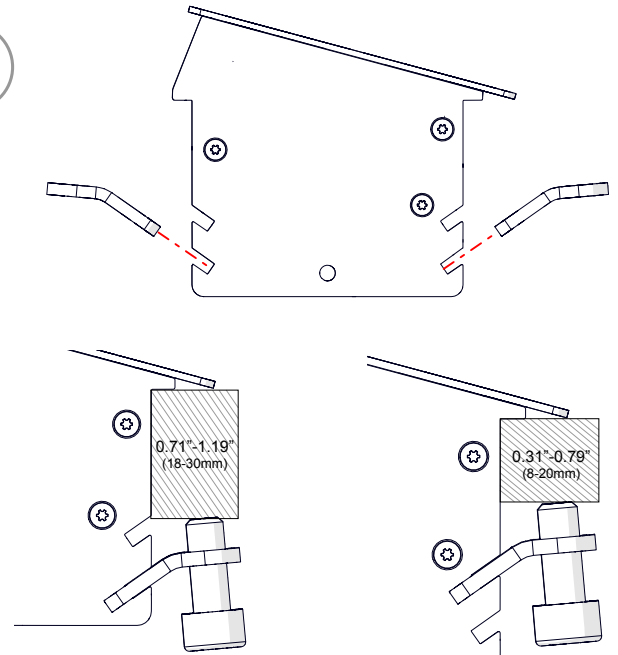
Dimensions



1 Place PODIUM into the cutout.*



2

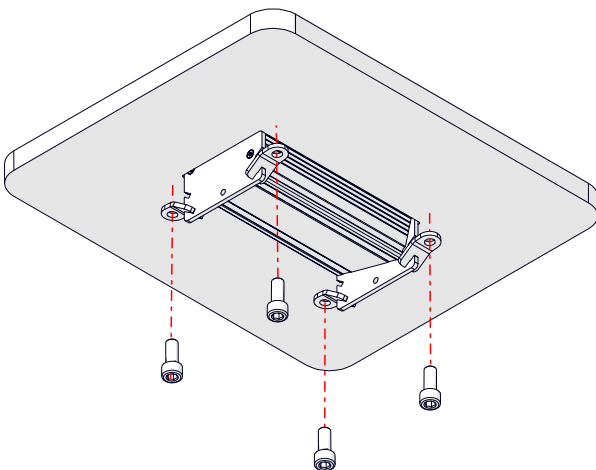


For thicker desks, place the fixing tab as shown above.

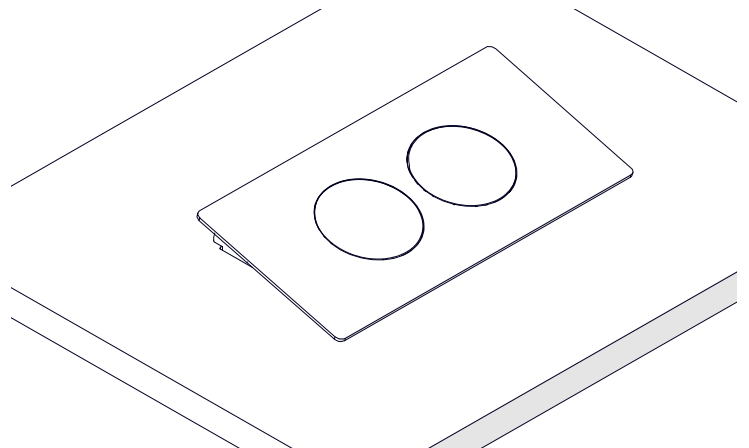
For thinner desks, place the fixing tab as shown above.

*PLEASE NOTE CUTOUT CORNERS MUST BE SQUARE

3 Insert the screws into the fixing tabs.



4



CAUTION Do not overtighten