

QF15 TUF HP



The new **QikFIT QF15 TUF HP** is the latest in a line of high-power USB options from OE (inset link to TUF HP brochure). With a maximum output of 65 Watts, **QF15 TUF HP** powers laptops up to 65W through the USB-C port while allowing phone and tablet fast charging via the USB-A port.

QF15 TUF HP connects directly to mains AC power with OE's standard GST18 connector and links to other QikFIT power and data modules to create a custom-designed power module. Installing **QF15 TUF HP** is simple in surfaces from .04" (1mm +) and thicker via integral mounting clips, frames, and enclosures. **QF15 TUF HP** modules are available in white and black.



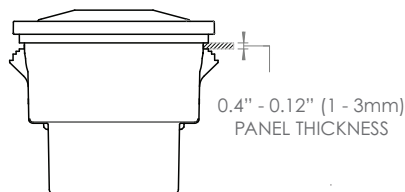
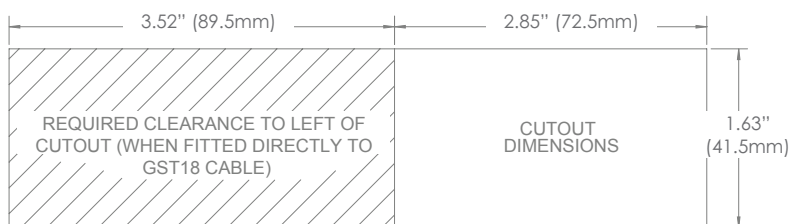
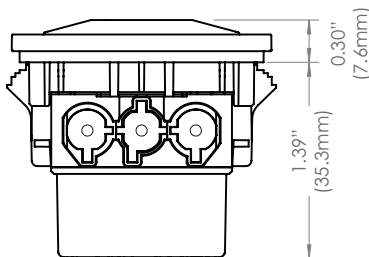
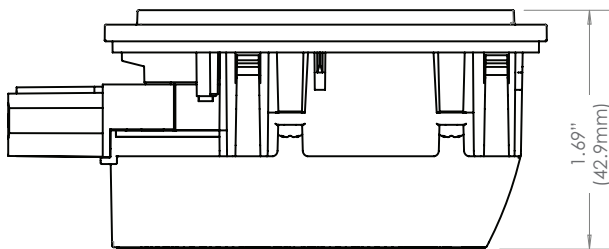
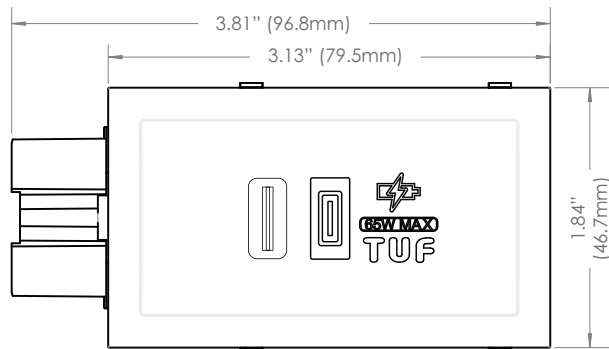
- 65W A+C USB fast charge
- Compact Flush design
- LED status indicator
- Unique reversible USB-A connector
- Integral panel mount clips



QF15 TUF HP

TECHNICAL

Unit Dimensions



Model Code: QF15 TUF HP (QFTUF-65)

Construction

High strength poly carbonate

Colors: Black or white fascia

Black body

Specifications

Input power: 100-240V~, 50/60Hz, MAX1.6A

Connector: GST18i3 (starter cord sold separately)

Output Voltages & Currents: (USB-C or USB-A Port single used)

PD3.0: 5Vdc/3A or 9Vdc/3A or 12Vdc/3A or 15Vdc/3A or 20Vdc/3.25A

QC2.0/QC3.0: 5Vdc/3A or 9Vdc/3A or 12Vdc/3A

USB-A: 5Vdc/2.4A

Output (USB-C and USB-A Port both used)

USB-C:

PD3.0: 5Vdc/3A or 9Vdc/3A or 12Vdc/3A or 15Vdc/3A or 20Vdc/2.25A

QC2.0/QC3.0: 5Vdc/3A or 9Vdc/3A or 12Vdc/3A

USB-A: 5Vdc/2.4A

Over voltage category (OVC): OVC III

USB Connector Min. Insertions: Type A 10,000

Type C 10,000

Over Current Protection: Yes. Digital control at 3.3A. Auto reset with LED flash.

Short Circuit Protection: Yes. Digital control at 3.3A. Auto reset.

Over Temperature Protection: Yes

Rated Operating Temperature: 32 to 77 degrees F (0 to 25C)

Certifications:

Safety:

IEC62368-1:2014

UL62368-1 cTUVus

EMC:

EN61204 : 2018

FCC part 15 (B)

ROHS:

EU 2015/863

Installation:

Mounts directly into metal or plastic .04" to .10" (1-3mm) panels. Mounts to .11" (3mm) or thicker materials using the QF45 frame option.

Quality & Testing: All QF15 TUF HP modules

are manufactured using ISO9001 quality controlled components and practices and are 100% tested before shipment.

- Visual: Configuration and appearance
 - TUF-R A+C 65W USB Charger: Fully function tested, as well as 4 hour "full-load" soak tested
- "we test every pin in every socket in every module"**

