

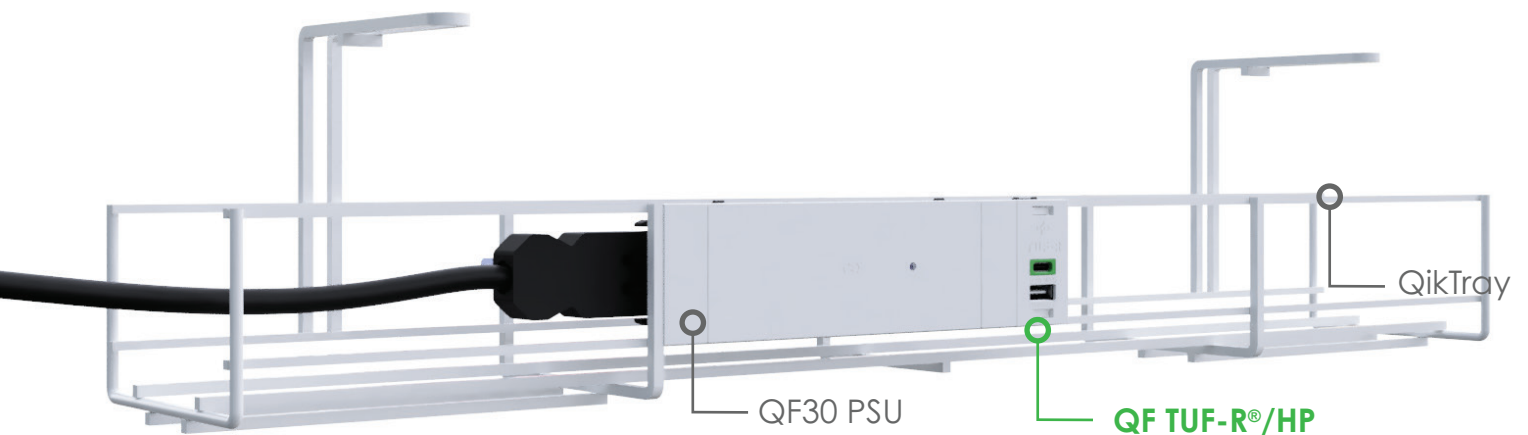
QF TUF-R®/HP



TUF-R®/HP is OE's latest evolution in TUF (Twin USB Fast) charging technology. **TUF-R®/HP** combined with our QikFit 30 PSU, splits the USB outlets from the AC/DC power supply thereby minimising the visible footprint whilst providing class leading USB charging.

TUF-R®/HP ushers in the era of universal laptop charging through the full 60W rated USB-C port while maintaining Intelligent Device Recognition (IDR) on the USB-A port.

Our QF5 housing size enables you to incorporate **TUF-R®/HP** into QikTray, or custom cutouts in other types of furniture with the PSU concealed remotely.



- Ultra-compact housing
- Universal laptop charging via USB-C
- Intelligent Device Recognition (IDR) for optimal fast charging on USB-A port
- Reversible power delivery USB-A & USB-C
- Patented QikFit unit replacement
- Compatible with QikTray and QikFit cutouts



USB Charging Outlets	1 x Type C (Reversible) 1 x Type A (Reversible)
Power In connector	Male GST08 DC connector
Rated Total Output Power	72W MAX
Output Voltages & Currents	TYPE C: MAX 60W 20V/3A, 15V/3A, 9V/3A, 5V/3A (PD3.0) 3.3 - 11.0V / 3.2A (PD PPS Mode) QC 2/3.0 5V/3A, 9V/2A, 12V/1.5A TYPE A: MAX 12W 5V / 2.4A IDR BC1.2, Apple 12W Mode Samsung Fast Charge
Input Voltage	24 - 30V DC
USB Connector Min. Insertions	Type A, 10,000 Type C 10,000
Over Current Protection	Yes. Digital control at 3.3A. Auto reset with LED flash.
Short Circuit Protection	Yes. Digital control at 3.3A. Auto reset.
Over Temperature Protection	Auto Power Reduction to PD 45W Mode. 20V/2.25A, 15V/3A, 9V/3A, 5V/3A
Rated Operating Temperature	32°F TO 77°F (0° TO 25°C)
User Replaceable USB module	Yes
Certifications – Safety	IEC 62368-1 : 2014
Certifications –EMC	EN61204 : 2018 EN 50121-3-2 (railway) FCC part 15 (B)
Certifications ROHS	EU 2015/863

Construction

High strength fire retardant polycarbonate

Colors

Black or white

Power cord options:

TUF-R/HP - GST08 cable

QFPSU - NEMA plug to GST Starter cord

Mounting:

Snaps into panel openings 1.0" x 1.63 (1.0 - 41.5mm)

Integral clips mate to surfaces 0.4" - 0.12" (1 - 3mm)

Quality & Testing

All QF TUF-R®/HP modules are manufactured using ISO9001 quality controlled components and practices and are 100% tested before dispatch:

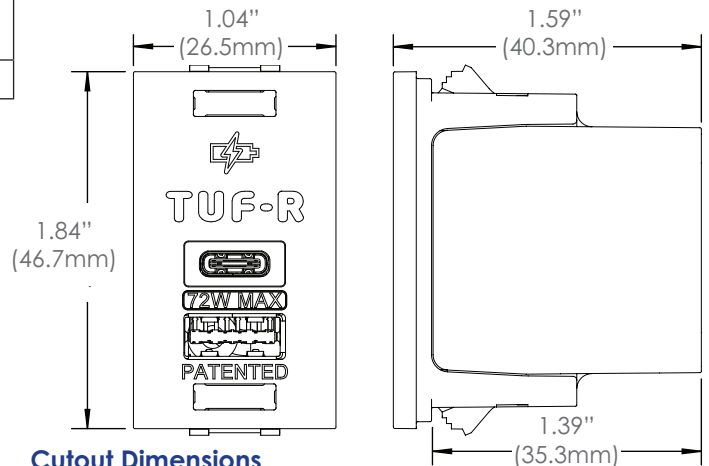
- Visual: Configuration and appearance
- USB charger: Output voltage and resistance

"We test every pin on every connection in every socket"

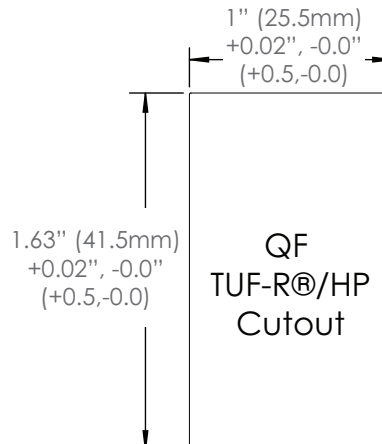
Certifications

- cTUVus Listed - UL962A/CSA22.2
- FCC part 15 (B)
- International certifications available upon request

Unit Dimensions

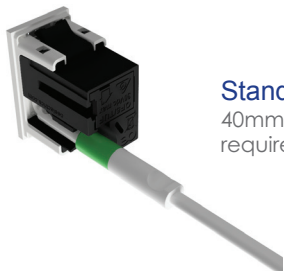


Cutout Dimensions



Cable Options

GST08 cable can be extracted from QF TUF-R®/HP body for shallow depth fitting



Standard

40mm rear clearance required



Shallow

0mm rear clearance required

