



The compact POWERUNIT provides flexible, modular, power and data distribution, ideal for office desks and screens where a limited number of outlets are required.

Standard off the shelf units are available from stock, but POWERUNIT may also be specified with many custom power combinations.

Bespoke units may be configured with remote switches, thermal resettable fuses, and other accessories, there are many options.

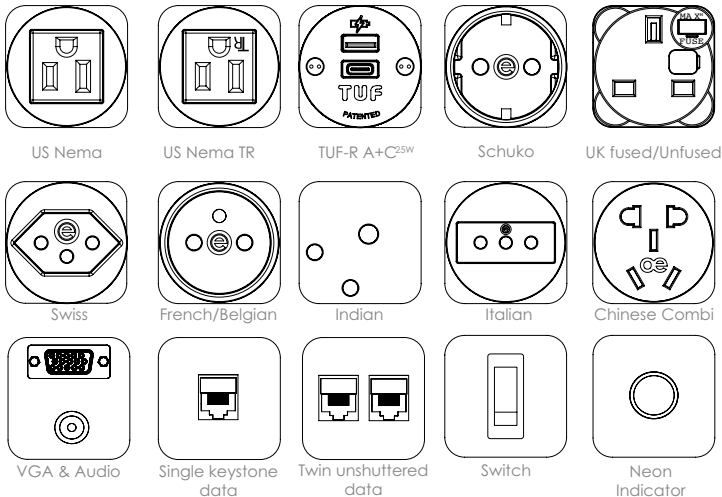
Standard color is Black, with other colors available subject to minimum order quantities.



UNIQUE SELLING POINTS:

- Compact design perfect for sub-surface or panel mount
- QIKTRAY compatible
- Choice of AC power sockets, Patented TUF-R A+C 25W USB charger, data/AV, and control features

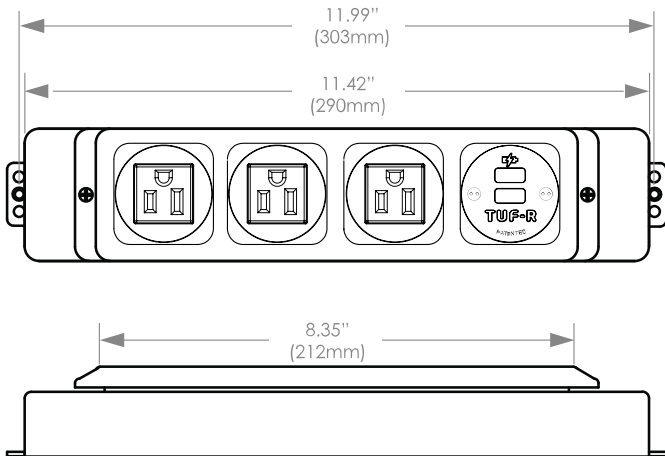
Available Modular Components:



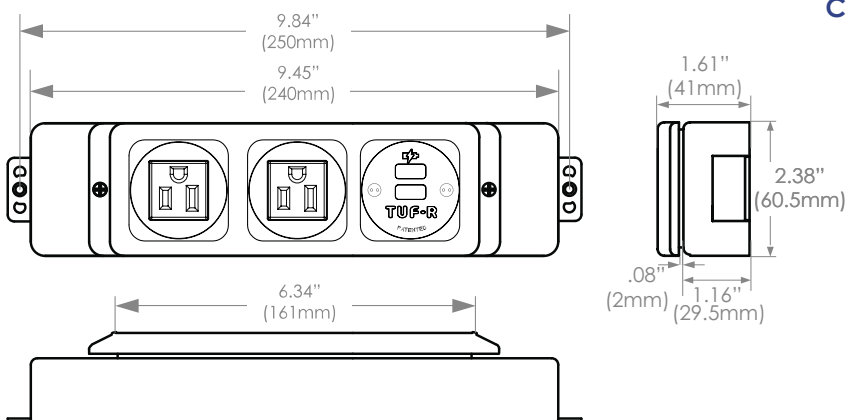
See www.oeelectric.com for full list of available [modular components](#).

Dimensions:

4 gang:



3 gang:



Configuration:

Populate POWERUNIT's apertures with any combination of:

- 53mm power sockets, or
- TUF-R A+C 25W USB charger, or
- Data/AV, or
- Control devices

Power:

POWERUNIT is wired as standard with a 32" 14/3 SJT cord to a male GST connector to be used with [OE's pluggable GST system](#).

Available by special order wired with a NEMA 5-15 cord and plug.

A starter cord is required for GST option: 72" or 108" 14/3 SJT cord with female GST connector, NEMA plug, and Integral OCP standard.

QikTray Compatible::

Utilizing the QikTray cable tray clip the user can fit POWERUNIT in the base of QikTray when access is not generally needed after installation.

Quality and Testing:

All POWERUNITs are manufactured using ISO9001 quality controlled components and practices, and are 100% tested before shipment

- Visual: Configuration and appearance
- Power sockets: Continuity, polarity, insulation & ground
- TUF-R A+C 25W USB charger: Fully function tested, as well as 4 hour "full-load" soak tested"
- Data & AV: 100% continuity tested; all orders are batch tested for performance compliance

"we test every pin in every socket in every module"

Certifications:

cETLus - UL962A / CSA22.2

International certifications available upon request.

Cutout Dimensions

