

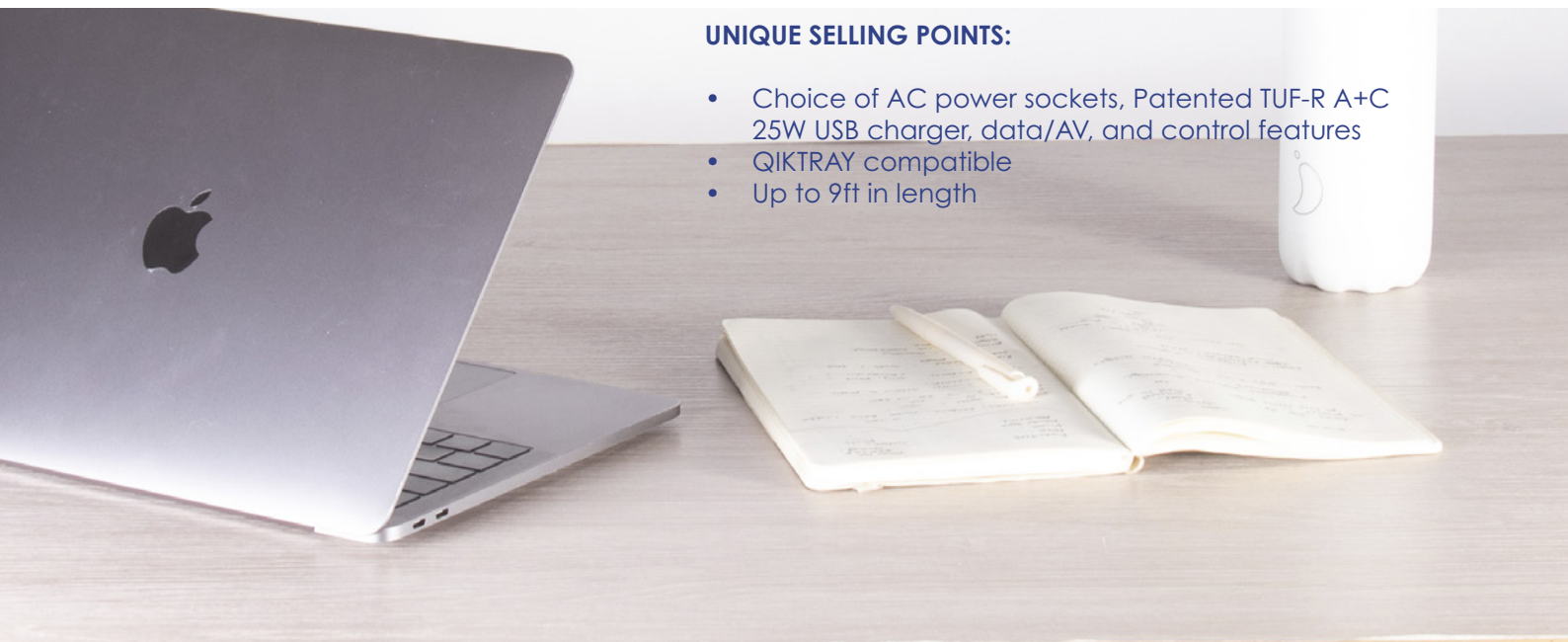


POWERBOX, as its name implies, is simple in design, but packs a punch. Customizable up to nine feet in length and made from extruded aluminum, POWERBOX can accommodate power, USB charging, data/AV, and specialty devices such as switches and over current protection.

With multiple mounting options, POWERBOX has virtually limitless possibilities. Think beyond office furniture. For example, when mounted vertically, POWERBOX is particularly suitable for racks or server cabinets.

Standard finish is black extrusion with black sockets and end caps.

A true workhorse of the OE portfolio.

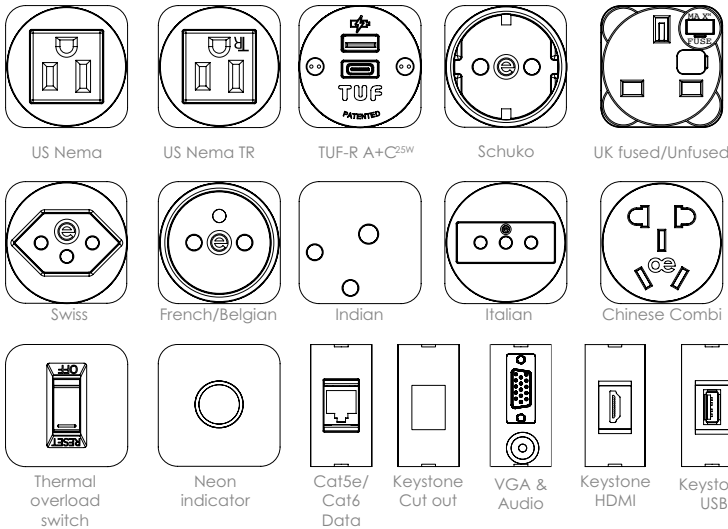


UNIQUE SELLING POINTS:

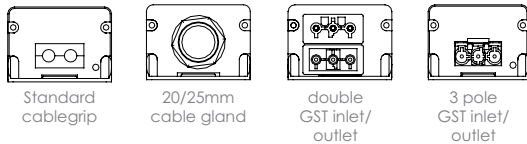
- Choice of AC power sockets, Patented TUF-R A+C 25W USB charger, data/AV, and control features
- QIKTRAY compatible
- Up to 9ft in length



Available Modular Components:

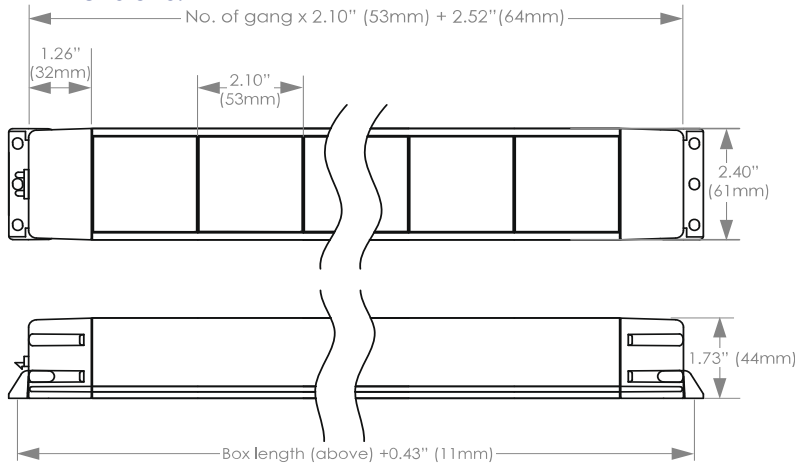


Standard Inlets/Outlets



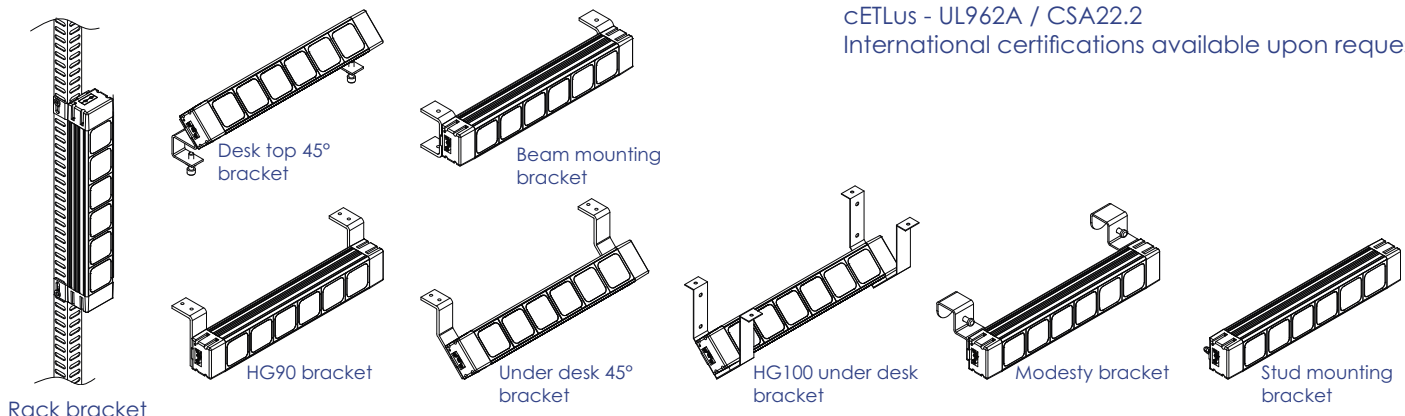
See www.oeelectrics.com for full list of available [modular components](#).

Dimensions:



POWERBOX can be made up to 9ft (3m) in length

Standard mountings:



Configuration:

Populate POWERBOX's apertures with any combination of:

- 53mm power sockets, or
- TUF-R A+C 25W USB charger, or
- Data/AV, or
- Control devices

POWERBOX includes a unique full-length anti-flex locking system, which guarantees unit integrity, regardless of length.

Circuit Protection:

Mini thermal switch type 15A MCB or the in line 15A thermal overload MCB, ie when 4 sockets or more

Mounting:

Unique slide-on mounting clips allow for fixing to be interchangeable, allowing for a wide variety of mounting applications. (examples-bottom left)

Power:

POWERBOX is wired standard with a 108" 14/3 SJT cord to a NEMA plug.

Available by special order with a 32" 14/3 SJT cord to a male GST or male GST inlet.

A starter cord is required for GST options: 72" or 108" 14/3 SJT cord with female GST connector, NEMA plug, and integral OCP standard.

Data:

Data/AV with 1.8m / 3m cords can be integrated into POWERBOX on request. Alternatively, can be supplied with keystone data aperture for site installation of data

Quality and Testing:

All POWERBOX units are manufactured using ISO9001 quality controlled components and practices, and are 100% tested before shipment

- Visual: Configuration and appearance
- Power sockets: Continuity, polarity, insulation & ground
- TUF-R A+C 25W USB charger: Fully function tested, as well as 4 hour "full-load" soak tested"
- Data & AV: 100% continuity tested; all orders are batch tested for performance compliance

"we test every pin in every socket in every module"

Certifications:

cETLus - UL962A / CSA22.2

International certifications available upon request.

