



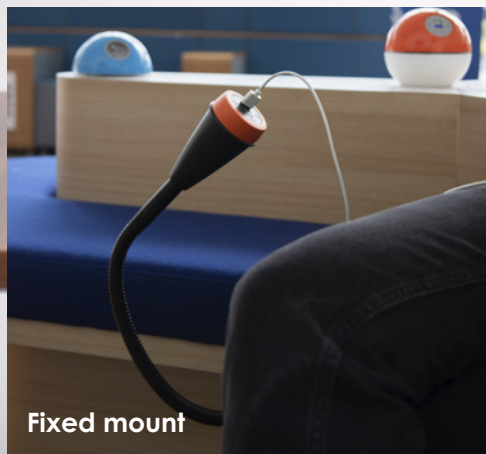
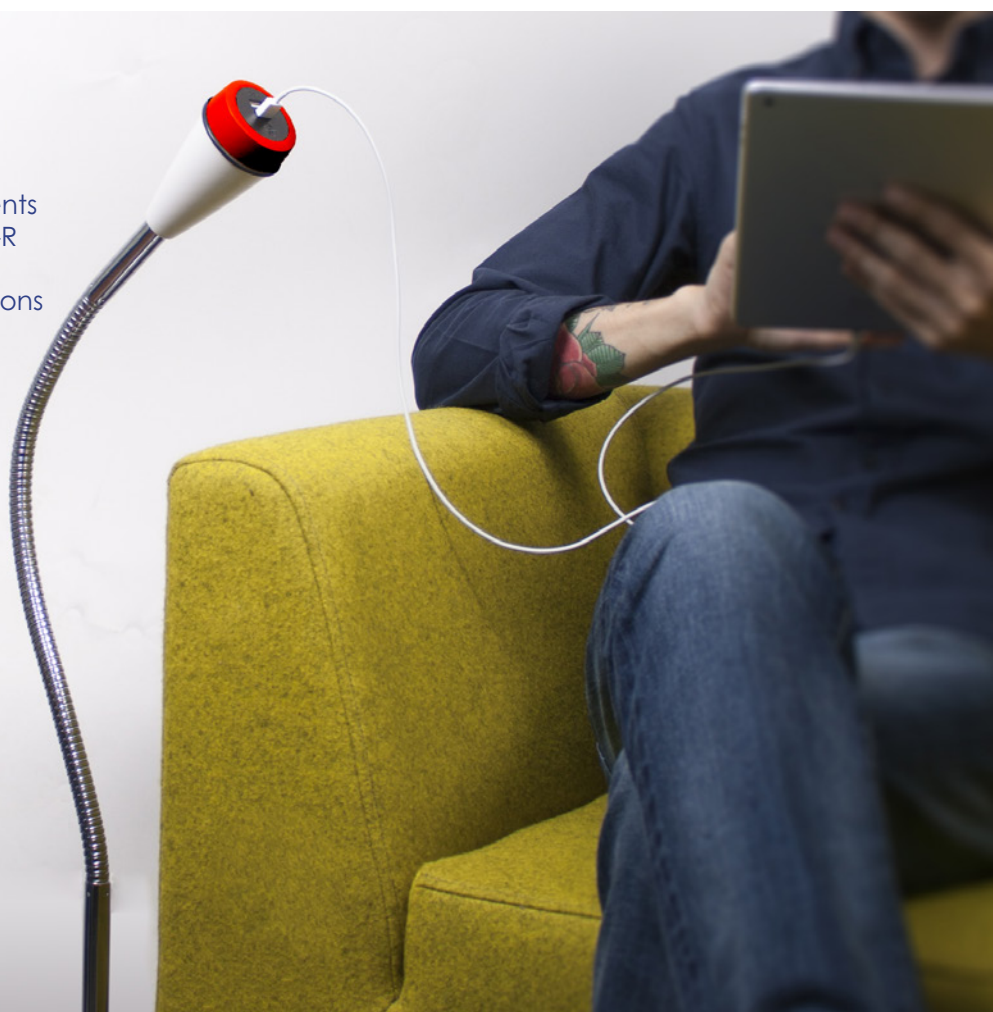
POSE is a unique and versatile solution from the OE design team for providing a conveniently locatable power or USB charging socket in casual seating areas.

POSE is supplied as standard with a flexible chrome goose neck attached to a weighted base, but can also be ordered with bespoke fixings for mounting direct to furniture.

POSE can be supplied with either a black or gray socket fascia, black or white socket housing, and to add a distinctive finishing touch, the standard white socket bezel can be ordered in black or a variety of 8 vibrant colors.

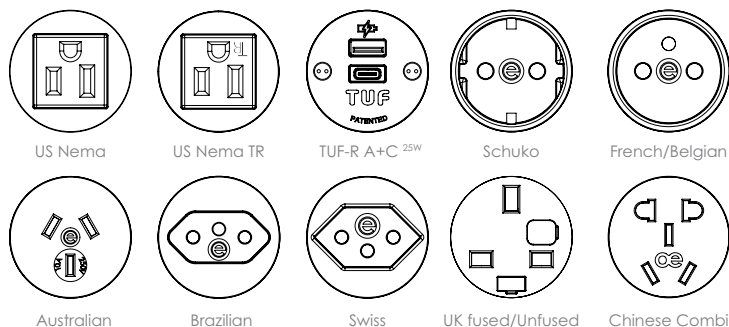
UNIQUE SELLING POINTS:

- Bezel available in a range of vibrant colors
- Compliments a variety of environments
- Choice of AC power sockets or TUF-R A+C 25W USB charger
- Fixed or free-standing mounting options
- Easy to identify and reposition



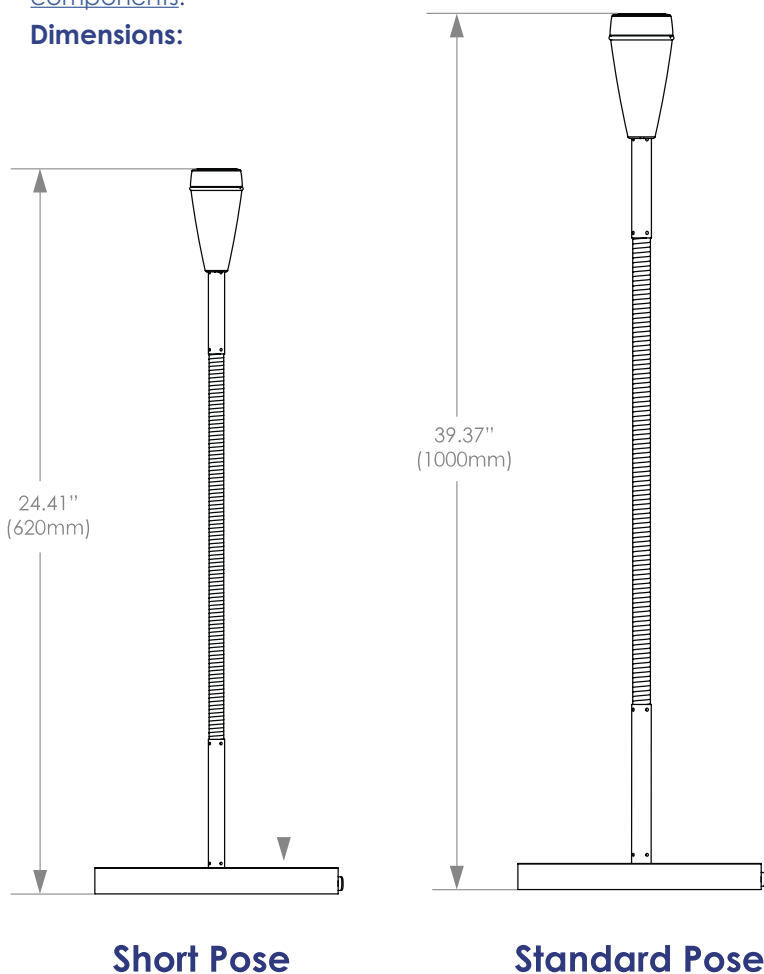
Fixed mount

Available Modular Components:



See www.oeelectrics.com for full list of available [modular components](#).

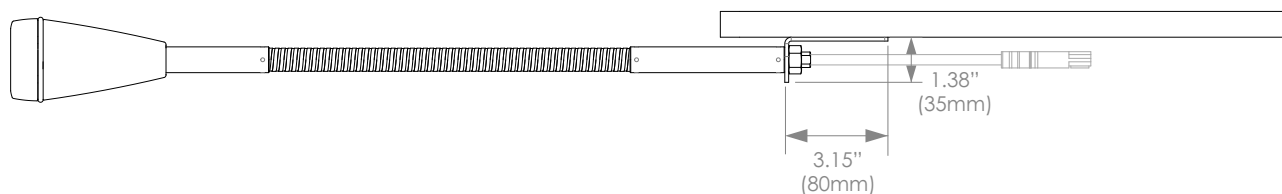
Dimensions:



Short Pose

Standard Pose

Pose furniture mounting bracket:




Configuration:

Populate POSE with:
 - 42mm power socket, or
 - TUF-R A+C 25W USB charger.

Construction:

Housing & fascia - Polycarbonate
 Goose neck & base - Steel

Colors:

Socket housing - Black or white
 Socket fascia - Black or gray (NEMA TR sockets - black only)
 Socket bezel - Black, white or one of the custom-8 specialty colors shown below

 Goose neck & base - Chrome or black
 Power cable - Black

Power and cord:

POSE is wired as standard with a 108" 14/3 SJT cord to a NEMA 5-15 straight plug.

Quality and Testing:

All POSE units are manufactured using ISO9001 quality controlled components and practices, and are 100% tested before shipment

- Visual: Configuration and appearance
- Power sockets: Continuity, polarity, insulation & ground
- TUF-R A+C 25W USB charger: Fully function tested, as well as 4 hour "full-load" soak tested"

"we test every pin in every socket in every module"

Certifications:

cETLus - UL962A / CSA22.2
 International certifications available upon request.

