



For a POP of cool, OE offers a single socket, power module designed specifically for a super-clean look.

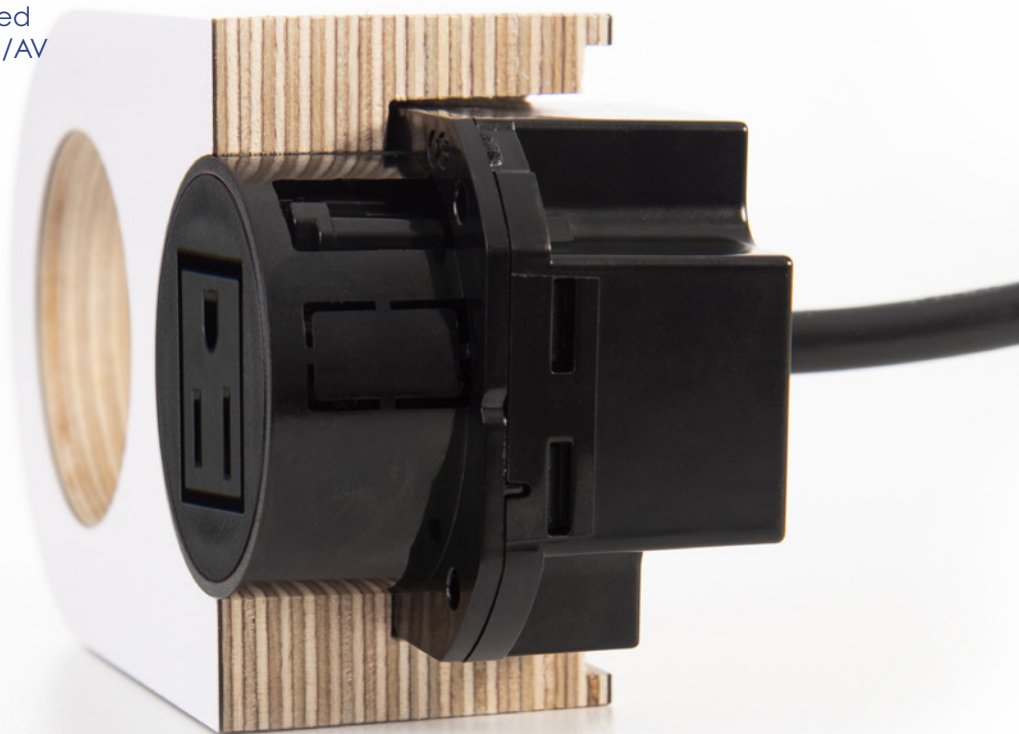
Perfectly suited to a wide range of furniture, POP is the smart choice where an incredibly small visual footprint is preferred.

Fitting neatly into a 1.97" (50mm) opening, POP enables designers maximum flexibility when choosing a convenient power access point.

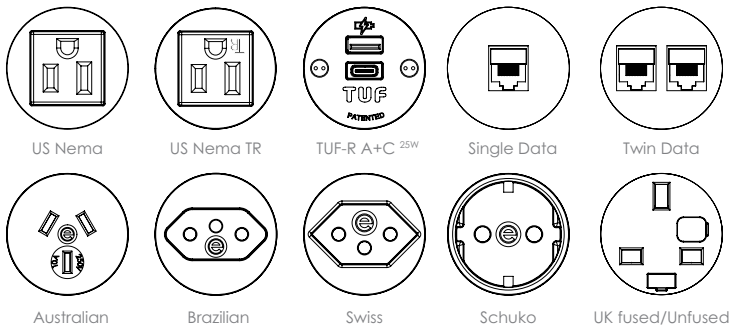
For ultimate flexibility, Pop can be configured with either an AC socket, patented TUF-R A+C 25W USB fast charger and even data and AV options.

UNIQUE SELLING POINTS:

- Flush to the surface
- 2.25" deep from finished surface
- Side or rear cable exit
- Choice of AC power socket, Patented TUF-R A+C 25W USB charger, or data/AV



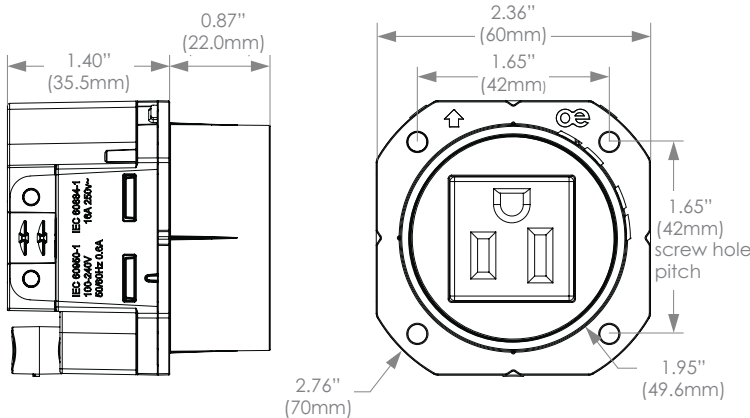
Available Modular Components:



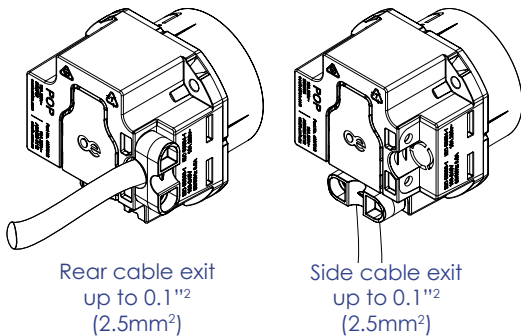
*POP front moulding can be used to install data & AV couplers/ selected assemblies.

See www.oeelectronics.com for full list of available [modular components](#).

Dimensions:

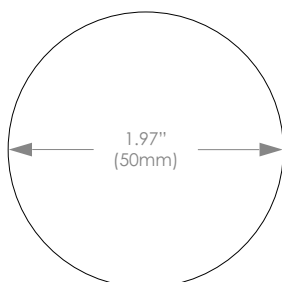


Power inlet options:



If fitted into thinner material, POP will require spacing washer while in thicker material will need relief to 0.87" (22mm)
Maximum panel thickness: 0.87" (22mm)

Cut out Dimension:



Configuration:

Populate POP's aperture with either:

- 42mm power sockets, or
- TUF-R A+C 25W USB charger

Multiple POP units may be powered from a single power starter. Contact OE for details

Construction:

Body - Polycarbonate
Socket Fascia - Polycarbonate

Color:

Socket fascia - Black, or Gray (NEMA TR sockets - black only)

Body - Black

TUF-R - Black or Gray, or optionally a Stainless Steel Fascia

Power and cord:

POP is wired as standard with a 32" 14/3 SJT cord to a male GST connector to be used with [OE's pluggable GST system](#).

Available by special order wired with a NEMA 5-15 cord and plug.

A starter cord is required for GST option: 72" or 108" 14/3 SJT cord with female GST connector, NEMA plug, and Integral OCP standard.

Installation

POP is designed for installation in 1.97" (50mm) diameter apertures in 0.87" (22mm) wood panels. Thinner panels may require spacing washers whilst thicker panels will need relief to 22mm.

Quality and Testing:

All POP units are manufactured using ISO9001 quality controlled components and practices, and are 100% tested before shipment

- Visual: Configuration and appearance.
- Power sockets: Continuity, polarity, insulation & ground
- TUF-R A+C 25W USB charger: Fully function tested, as well as 4 hour "full-load" soak tested"
- Data & AV: 100% continuity tested; all orders are batch tested for performance compliance

"we test every pin in every socket in every module"

Certifications:

cETLus - UL962A / CSA22.2

International certifications available upon request.

