



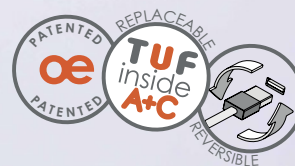
Low in profile, big on impact, PODIUM puts a modern spin on personal power. The sleek look makes PODIUM a great choice for workstations, touch-down areas and private spaces where AC power, USB charging, and data/AV connectivity is required.

Form follows function with PODIUM's "floating" faceplate design. Not only does it look cool, but it also protects from liquid ingress.

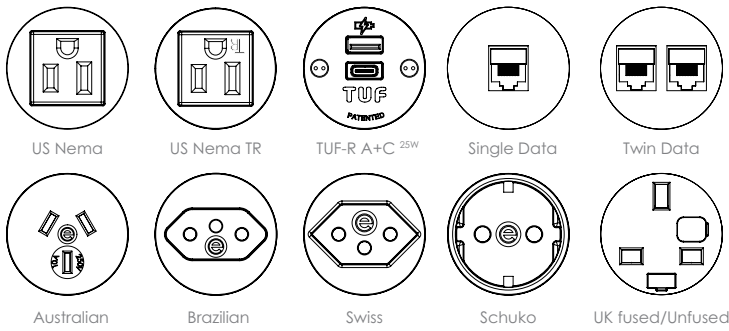
PODIUM is built to last and looks good doing it. Available in two or four gang models.

UNIQUE SELLING POINTS:

- Floating low profile design
- Less than 2" of mounting depth
- 2 or 4 gang configurations
- Choice of AC power sockets, Patented TUF-R A+C 25W USB charger, or data/AV connections
- Durable all-metal construction



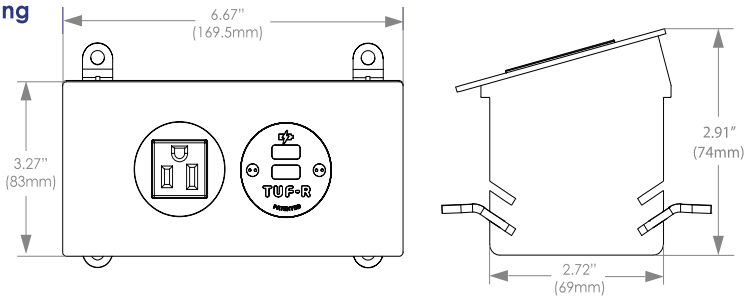
Available Modular Components:



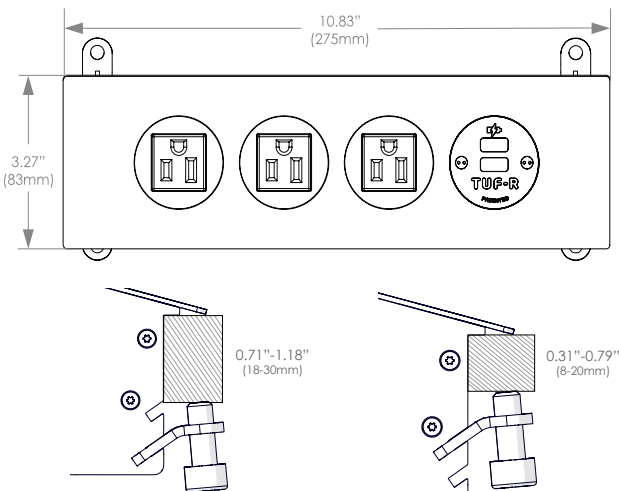
See www.oelectrics.com for full list of available [modular components](#).

Dimensions:

2 gang



4 gang

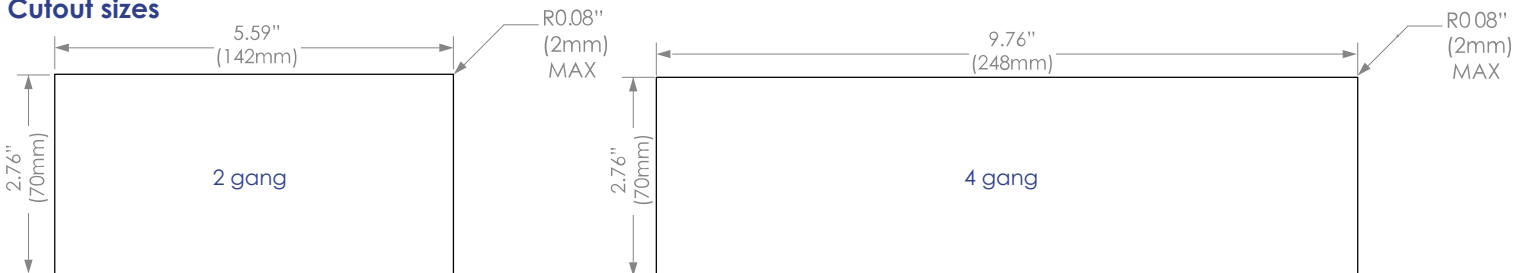


For thicker desks, place the mounting tab as shown above.

For thinner desks, place the mounting tab as shown above.

PODIUM is suitable for surfaces 0.31" - 1.18" thick

Cutout sizes



Configuration:

Populate PODIUM's apertures with any combination of:

- 42mm power sockets, or
- TUF-R A+C 25W USB charger, or
- Data/AV

Construction:

Socket frame: Brushed stainless steel
 Body: Aluminium extrusion
 End caps: Powder coated mild steel

Colors:

Body - black
 Socket frame - brushed stainless-steel or black
 Socket fascia - black or gray (NEMA TR sockets - black only)

Power and Cord:

PODIUM is wired as standard with a 32" 14/3 SJT cord to a male GST connector to be used with [OE's pluggable GST system](#).

Available by special order wired with a NEMA 5-15 cord and plug.

A starter cord is required for GST option: 72" or 108" 14/3 SJT cord with female GST connector, NEMA plug, and Integral OCP standard.

Quality and Testing:

All PODIUM units are manufactured using ISO9001 quality controlled components and practices, and are 100% tested before shipment

- Visual: Configuration and appearance.
- Power sockets: Continuity, polarity, insulation & ground
- TUF-R A+C 25W USB charger: Fully function tested, as well as 4 hour "full-load" soak tested"
- Data & AV: 100% continuity tested; all orders are batch tested for performance compliance

"we test every pin in every socket in every module"

Certifications:

cETLus - UL962A / CSA22.2

International certifications available upon request.