

pluto data cartridge



No longer must your need for data and AV connectivity be limited to in-surface units. PLUTO DATA CARTRIDGE fits neatly to the base of PLUTO power modules without tools and can be supplied pre-installed or retrofitted to existing PLUTO base units.

Just like the standard PLUTO, the DATA CARTRIDGE clamps into a 3.15" (80mm) grommet. Finished in a textured silver, the DATA CARTRIDGE contrasts nicely with both standard and custom colors of Pluto.

With three keystone apertures, a VGA knockout, a Displayport knockout, and secure tie points for cable strain relief, the DATA CARTRIDGE can be shipped fully configured or installed as you choose on site.

UNIQUE SELLING POINTS:

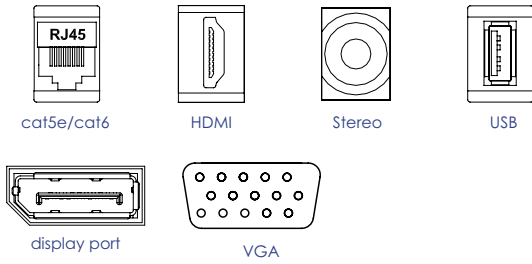
- Data Hub up to 5 data & AV sockets
- Tool-free mounting
- Retrofit existing PLUTO units
- Complimentary satin silver textured finish



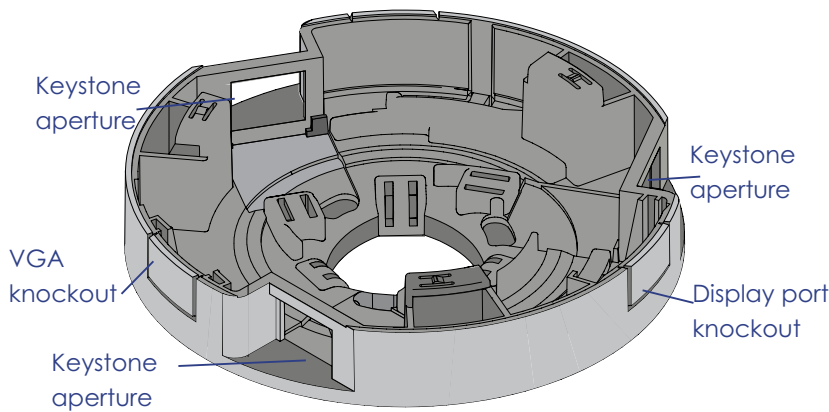
pluto data cartridge

Technical

Available Modular Components



See www.oeelectronics.com for full list of available [modular components](#).



Configuration:

PLUTO DATA CARTRIDGE may be configured with a combination of:

- 3 data keystone apertures
- 1 VGA knockout
- 1 Display port knockout

Color:

Satin silver

Data:

Data/AV with 1.8m / 3m cords can be integrated into PLUTO DATA CARTRIDGE on request. Alternatively, can be supplied with keystone data aperture for site installation of data.

Quality & Testing:

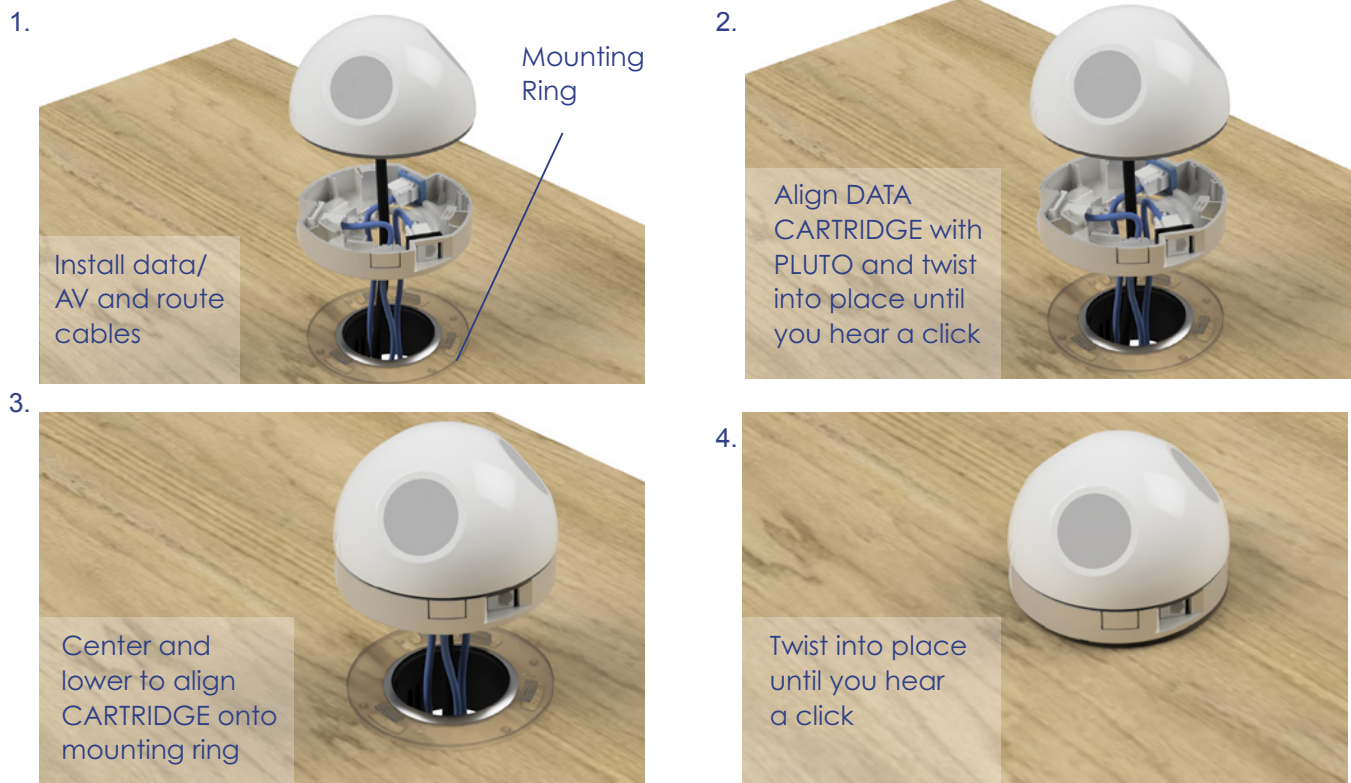
PLUTO DATA CARTRIDGE units are manufactured using ISO9001 quality controlled components and practices and are 100% inspected before shipment

- Visual: Configuration and appearance
- Data & AV: 100% continuity tested; all orders are batch tested for performance compliance

"we test every pin in every socket in every module"

Mounting

(Can only be fitted to base entry cabled PLUTOs, with either a GST connector or NEMA plug)



OE Electronics Inc. USA
sales@oeelectronics.com;
www.oeelectronics.com
Tel: 1-(844) 927-0600 toll free